

# VersaTEK Large LED Floodlight Series



## Versatility by Design

The VersaTEK Floodlight Series is an extremely durable & performance focused solution for both specification & budget minded applications for demanding Utility, Municipality, DOT & Commercial project applications.

A value-driven solution for any flood application where the VersaTEK Flood's product reliability & performance is paired with lineman-friendly installation & hassle-free maintenance design to help provide the lowest total cost of ownership possible over an expected installed service life of 10-20 years.

Whether you need to light a loading dock, large open spaces, to accenting a building facade or structure like a bridge, the VersaTEK Flood has a wide range of mounting and performance optical solutions to get the job done right. Three slipfitters, yoke, trunnion and adjustable wall or direct to pole mounting options coupled with wide selection of all-purpose & performance flood optics to design with, making this floodlight ideal for new construction or as a retrofit solution providing ~70-80%+ in combined energy & maintenance savings vs. legacy HID alternatives.

## Key Features, Details & Specs

- 23,938 to 50,962+ lumens with efficacies up to 179+ LPW
- True 400-1000+ watt HID replacement (70%+ energy savings)
- Performance Selector option for field adjustment of wattage & lumens
- LEOLink ILS™ Intelligent Lighting System & wireless 'NB01P' smart controller option
- Next-gen performance LED platform, Flood optics & shielding
- 2700K, 3000K, 4000K & 5000K CCT options available
- Weighs only 33-36 lbs. for easy & safe single person installation
- Tool-free access with optional tool-free removable 'Power Door'
- 10kV integral surge standard, 20kV extreme surge option available
- Entire luminaire & optical assembly is rated IP66
- 50°C (122°F) high-ambient rating is standard
- Pass-thru convective cooling & integral thermal heatsink design
- IK10 rated design with IK10 rated glass lens
- A360 die-cast low copper content alloy (< 0.6%)
- 5,000-hour salt spray finish standard (coastal finish available)
- All exposed fasteners are stainless steel & captive
- 3G vibration rated suitable for high winds, overpasses, bridges, etc.
- Tested before & after rigorous 2-hour burn-in cycle
- Assembled in the USA at LEOTEK's San Jose, CA facility



'SF' slipfitter mount

### Typical Applications

- Electrical Substations
- Water Treatment Facilities
- Rail & Intermodal Yards
- Storage Yards
- Loading Docks
- Prisons
- Bridges
- Facades & Large Structures

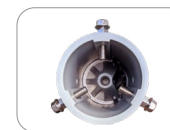
### Integral Tool-Free Access Design

Tool-free electrical access & removable hinged door w/ fixed open door prop design for ease of installation or maintenance (compatible w/ most lineman safety gloves)



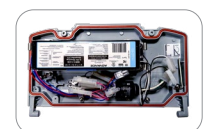
### Hassle Free Installation & Maintenance Features

Optional terminal block, slipfitter w/ self-centering 'star' design assists with leveling to a tenon and a UL recognized splice compartment ('SF' option splice compartment w/ 5-wire lead access & WAGOs for ease of installation, eliminates the need for a secondary j-box, compatible w/ 1-5/8", 2-3/8" & 3" O.D. tenons)



### Tool-Free Removable Power Door Option

All serviceable electrical components mounted to a Power Door that is accessed & removable without tools in less than 15 seconds (undo MOLEX connectors, push two spring clips to unlock door, slide forward to remove)



# VersaTEK Large LED Floodlight Series



## Ordering Information

Sample Catalog No. VTLFL-216A-MV-40K7-N66-DB1-CF-P7-SFH-PCR7CR-NB01P-TB-WL1-SP2-SF120

| Product                       | LED Code                  | Voltage                    | Color Temp CRI   | Optical Distribution  | Finish*   | Performance Code                       | Mounting Options  |
|-------------------------------|---------------------------|----------------------------|--|---|---|--|---|
| VTLFL<br>VersaTEK Large Flood | 216A<br>216 LEDs<br>Gen-A | MV 120-277V<br>HV 347-480V | 27K7 2700K, 70CRI<br>30K7 3000K, 70CRI<br>40K7 4000K, 70CRI<br>50K7 5000K, 70CRI<br><br>30K8 <sup>1</sup> 3000K, 80CRI<br>40K8 <sup>1</sup> 4000K, 80CRI<br>50K8 <sup>1</sup> 5000K, 80CRI | N66 NEMA 6Hx6V Flood<br>S33 NEMA 3Hx3V Spot<br><br>NSP Narrow Spot<br>RN Rectangular Narrow<br>RM Rectangular Medium<br>RW Rectangular Wide<br>WG Wall Grazer | BK Black<br>DB1 Dark Bronze (RAL8019)<br>WH White<br>GY Gray<br><br>CF Coastal Finish | P1<br>P2<br>P3<br>P4<br>P5<br>P6<br>P7 | SF <sup>2</sup> Slipfitter w/ Wire Leads (in UL splice compartment)<br>SFH <sup>3</sup> Slipfitter w/ S/O Cord Exiting Housing Bottom (3-wire S/O cord, 16AWG, 4' exit length)<br>SFC <sup>3</sup> Slipfitter w/ S/O Cord Exiting Center of Fitter (3-wire S/O cord, 16AWG, 4' exit length)<br>TR <sup>3</sup> Trunnion Mount (3-wire S/O cord, 16AWG, 4' exit length)<br>YK <sup>3</sup> Yoke Mount (3-wire S/O cord, 16AWG, 4' exit length)<br>AWM Adjustable Wall Mount (compatible w/ 3" & 4" square/octagonal recessed J-boxes)<br>AWMSC Adjustable Wall Mount w/ Surface Conduit J-Box<br>ASPM Universal Square Pole Adjustable Arm Mount<br>ARPM Universal Round Pole Adjustable Arm Mount |

\*Consult factory for custom finish options, pricing & leadtimes.

| Driver* & Control Options (*0-10V drivers are standard)   | General Options  |
|---|--|
| D41 <sup>4,7</sup> DALI D4i Driver<br>TLR4U <sup>4,5,8</sup> DALI 4-PIN Twist Lock Receptacle (upper housing receptacle location)<br>TLR4L <sup>4,5,8</sup> DALI 4-PIN Twist Lock Receptacle (lower driver door receptacle location)<br><br>NB01P <sup>4,6</sup> LEOlink 7-PIN Smart Controller (120-277V)<br>PCR7CR <sup>4,6</sup> ANSI 7-wire Control Ready Receptacle Shorting Cap (factory installed)<br>SC Long Life Photocontrol<br>LLPC <sup>7</sup><br><br>PS <sup>8</sup> Field Adjustable Performance Selector<br>PND1 <sup>9</sup> Part Night Dimming V1<br>PND2 <sup>9</sup> Part Night Dimming V2<br>PND3 <sup>9</sup> Part Night Dimming V3 | AIM45 <sup>10</sup> Slipfitter Factory Pre-aimed at 45°<br>SS Slipfitter Set Screw (replaces standard slipfitter set bolts)<br>TFL Tamper free latch (driver electrical door)<br>TB <sup>2</sup> 3-position Terminal Block<br>SP2 <sup>11</sup> 20kV/10kA Extreme Surge, Fail-to-On<br>LSSP2 20kV/10kA Extreme Surge, Fail-to-Off<br>WL Wattage Label, ANSI C136.15-2015 compliant<br>WL1 Wattage Label, ANSI C136.15-2020 compliant<br>DSC Optional Driver Door Safety Cable<br>PWRD Power Door Option (tool-free removable door w/ serviceable electrical items)<br>SFXXX <sup>12</sup> Single Fuse ('XXX' = specify voltage 120, 277, 347V)<br>DFXXX <sup>12</sup> Double Fuse ('XXX' = specify voltage 208, 240, 480V)<br>5WSO <sup>13</sup> 5-wire S/O Cord (16AWG, 4' length w/ dimming leads)<br>SOXXYY <sup>14</sup> Special S/O AWG & Cord Length in Feet ('XX' = specify AWG 12, 14 or 16) ('YY' = specify S/O cord length 06, 08, 10, 15, 25) |

| General Accessories*  |
|---|
| <b>Shield Accessories</b><br>TBS-VTL Top, Bottom Shield<br>LRS-VTL Left, Right Side Shield<br>4SS-VTL 4-sided Shield<br>BDS-VTL Barn Door Shield<br>VS-VTL Poly Vandal Shield<br>WG-VTL Wire Guard<br>BSK Bird Deterrent Spider Kit |
| <b>Controls Accessories</b><br>NB01PSS <sup>15</sup> NB01P Ships Separately<br>LLPCMV Long Life Photocontrol MV<br>LLPCHV Long Life Photocontrol HV   |

\*Accessories are ordered & shipped separately, not to be included in the luminaire's catalog number. (requires field installation)

- 80CRI option only available in 3000K, 4000K & 5000K CCTs and may have longer leadtimes (contact factory).
- 'TB' Terminal Block is not available for use with the 'SF' Slipfitter mounting option. 3. Mounting option includes 16AWG 3-wire S/O cord w/ a 4' exit length & last 6" of insulation removed.
- For full 100% D4i DALI functionality a 'PCR7CR', 'TLR4U' or 'TLR4L' must be selected w/ 'D41' DALI driver option. DALI compatible node or sensor (by others). 'D41' DALI driver not compatible w/ 'NB01P' smart controller.
- 'TLR4U' & 'TLR4L' twist lock receptacle option requires 'D41' DALI driver option to be selected.
- 'NB01P' requires 'PCR7CR' option, only available in 'MV' 120-277V (contact factory for 'HV' 347-480V availability). 'NB01P' is a cellular based NEMA 7-PIN Smart Controller, 10-YR data (200MB), RenAI subscription included.
- 'LLPC' requires 'PCR7CR' option to be selected (does not ship installed, ships included w/ luminaire).
- 'PS' Performance Selector enables field adjustable light output dimming control from specified Performance Code, not compatible with DALI driver option.
- 'PND' options only available w/ 'MV' 120-277V (contact factory for 'HV' 347-480V availability). 10. Slipfitter options 'SF', 'SFC', 'SFH' ship pre-aimed at 45° from the factory if 'AIM45' is specified.
- 10kV/5kA surge, fail-to-on is included standard ('SP1'). 12. For single or double fusing, 'XXX' must specify required voltage.
- '5WSO' only available with 'SFC', 'SFH', 'TR' & 'YK' mounting options. Not available w/ 'PCR7CR', 'PS', 'PND', 'D41', 'TLR4U', 'TLR4L' options.
- 'SOXXYY' option, 'XX' & 'YY' must specify S/O cord AWG & length (only available w/ S/O cord mounting options).
- Denotes 'NB01P' Smart Controllers will ship bulk or master pack and ships separately from the luminaire.

## Nominal Performance Data 4000K & 5000K

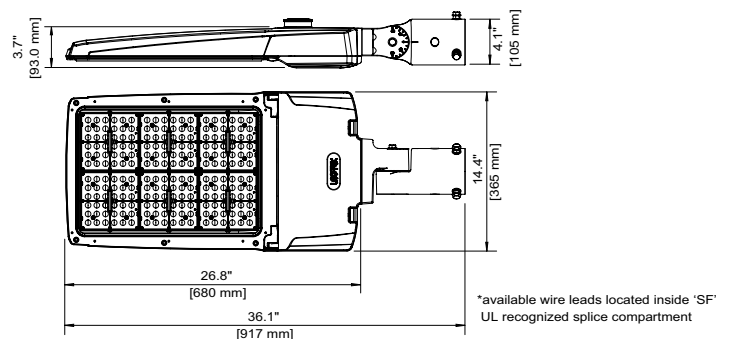
(NEMA 6x6 optic, 70CRI, standard IK10 rated glass lens, 25°C ambient)

| Performance Code    | P1       | P2     | P3     | P4     | P5     | P6     | P7     |
|---------------------|----------|--------|--------|--------|--------|--------|--------|
| Lumens <sup>1</sup> | 32,293   | 36,104 | 44,316 | 48,374 | 52,344 | 56,204 | 59,962 |
| System Wattage (W)  | 180      | 211    | 263    | 290    | 317    | 345    | 373    |
| Efficacy (Lm/W)     | 179      | 171    | 169    | 167    | 165    | 163    | 161    |
| HID Replacement     | 400-750W |        | 1000W  |        |        | 1000W+ |        |

1. Normal tolerance ± 10% due to factors including distribution type, LED bin variance, driver variance and ambient temperatures.

## 'SF' Slipfitter Mount Dimensions\*

(5-wire leads in UL splice compartment, shown w/ optional 'PCR7')



\*available wire leads located inside 'SF' UL recognized splice compartment

\* Please refer to VersaTEK product specification sheets for additional ordering information & product details \*