

LED 12" Signal Module IL6 Series Bus Indication

Leading the LED Industry Since 1992

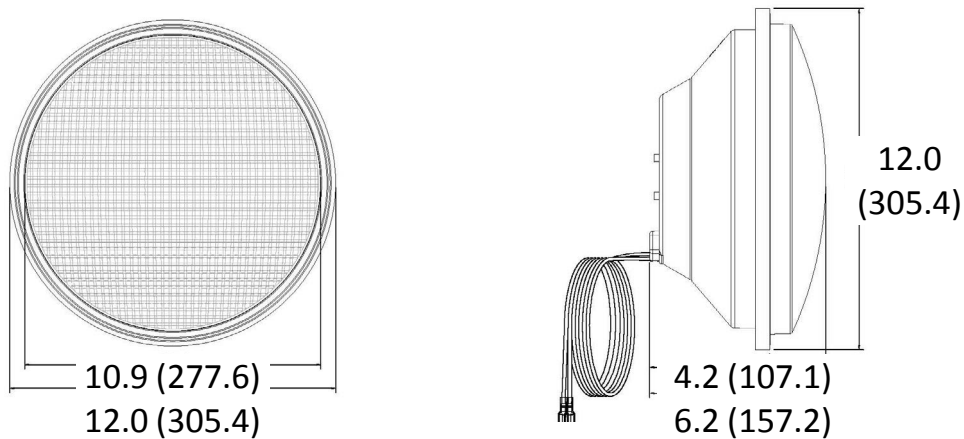
With over 7,000,000 units installed globally



Superior Performance and Reliability




- 12" modules
- Simple and fast installation
- Significant energy and maintenance savings
- Highly visible indication offers exceptional color uniformity and readability
- Excellent moisture and dust resistance through complete O-ring sealing
- Engineered aluminum heat sink for optimum thermal management
- Robust hard-coated and UV-stabilized polycarbonate lens for increased longevity against the elements
- Built-in Constant Current Source (CCS) provides uniform light output from the first to the last modules
- Maintains 70% of the initial lumen intensity after 100,000 hours of operation
- Environmentally friendly
- 5-Year Limited Warranty

Mechanical Dimensions [in(mm)]



Model Specifications and Ordering Options

Operating Temperature:	-40°F to 165°F (-40°C to 74°C)	Turn-On/Turn-Off Time:	<75msec
Operating Voltage:	80 - 135Vac, 60Hz	Turn-Off Voltage:	>35Vac
Operating Voltage:	>0.90	Total Harmonic Distortion (THD):	<20%

Model Number and Color	Wattage Drawn	Voltage
12 inch arrow		
TSL-12R-IL6-BS-A1 	5.6	80-135Vac
TSL-12Y-IL6-BS-A1 	6.8	80-135Vac
TSL-12G-IL6-BS-A1 	7.0	80-135Vac

Standard Conformance

- FCC Compliant for Electrical Noise
- MIL-STD-810F Moisture Resistant
- MIL-STD-883 Mechanical Vibration
- NEMA TS2 Transient Voltage Protection over 2000V