

VersaTEK Large

LED Site & Area
Series

Versatility by Design

The VersaTEK Large LED Site & Area Series is the perfect blend of architectural design, power, performance and reliability with a simple retrofit friendly design delivering up to 65,000+ lumens while weighing in at only 30 lbs.

For end users looking for value friendly initial costs combined with significant energy & maintenance savings resulting in ~70-80%+ combined savings over the course of its installed life versus traditional HID luminaires, VersaTEK's Site & Area Series is your clear choice for optimal payback & ROI.

With a clean free flowing low profile design, the pole arm mount blends seamlessly into any environment or application. Performance factory rotatable optics & multiple field installable shield options allows for extremely uniform illumination that looks amazing while providing visual safety & trespass control for demanding installations.

Pair this with a wide range of fixture & control options which includes motion sensors, DALI D4i drivers, D4i receptacle options and part night dimming control capabilities in an easy to retrofit lightweight design for safe & quick single-person installation.

Key Features, Details & Specs

- 30,000 to 65,000+ lumens w/ efficacies up to 190+ LPW
- True 400-1000+ watt HID replacement (70%+ energy savings)
- Performance Selector option for field adjustment of wattage & lumens
- Next-gen performance LED platform, Site & Area, Roadway optics & shielding
- 2700K, 3000K, 4000K & 5,000K CCT options available
- Weighs 30 to 31 lbs. for safe single person installation
- 10kV integral surge standard, 20kV extreme surge option available
- Entire luminaire & optical assembly is rated IP66
- 50°C (122°F) high-ambient rating is standard
- Pass-thru convective cooling & integral thermal heatsink design
- A360 die-cast low copper content alloy (< 0.6%)
- 5,000-hour salt spray finish standard (coastal finish available)
- All exposed fasteners are stainless steel & captive
- 3G vibration rated suitable for high winds, overpasses, bridges, etc.
- Tool-free access w/ optional tool-free removable 'Power Door'
- Tested before & after rigorous 2-hour burn-in cycle
- Assembled in the USA at LEOTEK's San Jose, CA facility



Typical Applications

- Industrial & Stadium Parking
- Commercial & Retail Parking
- Military Bases
- Business Parks
- College Campuses
- Automotive Dealerships

'SPM' square pole arm mount

Integral Tool-Free Access Design

Tool-free electrical access & removable hinged door w/ fixed open door prop design for ease of installation or maintenance (compatible w/ most lineman safety gloves)



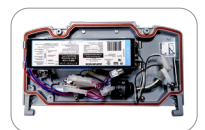
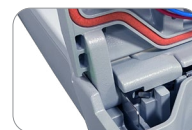
Hassle Free Installation & Maintenance Features

Optional terminal block, a self-centering mast arm 'star' design assists with leveling to a tenon and a retrofit friendly quick mount pole arm (pole arm mount retrofits up to 5.25" bolt spacing for easy single person no drill install)

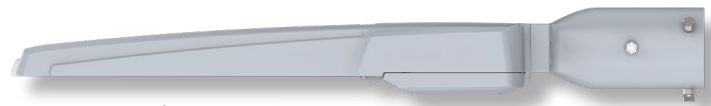


Tool-Free Removable Power Door Option

All serviceable electrical components mounted to a Power Door that is accessed & removable without tools in less than 15 seconds (undo MOLEX connectors, push two spring clips to unlock door, slide forward to remove)



VersaTEK Large LED Site & Area Series



'MAF' mast arm fitter mount

Ordering Information

Sample Catalog No. VTLSA-216A-MV-40K8-T3R-WH-CF-P7-SPM-D4I-TLR4U-TB-SP2-WL1-PWRD-SF277

Product	LED Code	Voltage	Color Temp CRI	Optical Distribution	Finish*	Performance Code	Mounting Options				
VTLSA VersaTEK Large Site & Area	216A 216 LEDs Gen-A	MV 120-277V HV 347-480V	27K7	2700K, 70CRI	NR	Narrow Roadway	BK	Black	P1	SPM	Universal Square Pole Arm Mount
			30K7	3000K, 70CRI	MR	Medium Roadway	DB1	Dark Bronze (RAL8019)	P2	RPM	Universal Round Pole Arm Mount
			40K7	4000K, 70CRI	WR	Wide Roadway	WH	White	P3	MAF	Horizontal Mast Arm Fitter (compatible w/ 1-5/8", 2-3/8" and 3" O.D. tenons)
			50K7	5000K, 70CRI	T2R	Type-2 (regular)	GY	Gray	P4	WM	Wall Mount Fixed (compatible w/ 3" & 4" square/octagonal recessed J-boxes)
			30K8 ¹	3000K, 80CRI	T3R	Type-3 (regular)	NA ²	Natural Aluminum	P5	WMSC	Wall Mount Fixed w/ Surface Conduit J-Box
			40K8 ¹	4000K, 80CRI	T3F	Type-3 (forward)	CF ³	Coastal Finish	P6	AWM	Adjustable Wall Mount (compatible w/ 3" & 4" square/octagonal recessed J-boxes)
			50K8 ¹	5000K, 80CRI	T4R	Type-4 (regular)			P7	AWMSC	Adjustable Wall Mount w/ Surface Conduit J-Box
					T4F	Type-4 (forward)				ASPM	Universal Square Pole Adjustable Arm Mount
					T5	Type-5				ARPM	Universal Round Pole Adjustable Arm Mount
					AFR	Auto Front Row					
		ORR	Optics Rotated Right								
		ORL	Optics Rotated Left								

*Consult factory for custom finish options, pricing & leadtimes.

(see Page 3 for details)

Driver & Control Options		General Options		General Accessories*	
D4I ³	DALI D4i Driver	TFL	Tamper free latch (driver electrical door)	TBS-VTL	Top, Bottom Shield
TLR4U ^{3,4}	DALI 4-PIN Twist Lock Receptacle (upper of housing receptacle location)	TB	3-position Terminal Block	LRS-VTL	Left, Right Side Shield
TLR4L ^{3,4}	DALI 4-PIN Twist Lock Receptacle (lower driver door receptacle location)	SP2	20kV/10kA Extreme Surge, Fail-to-On	4SS-VTL	4-sided Shield
PCR7CR ^{3,9}	ANSI 7-wire Control Ready Receptacle	LSSP2	20kV/10kA Extreme Surge, Fail-to-Off	BDS-VTL	Barn Door Shield
SC	Shorting Cap (factory installed)	WL	Wattage Label, ANSI C136.15-2015 compliant	VS-VTL	Poly Vandal Shield
LLPC ⁵	Long Life Photocontrol	WL1	Wattage Label, ANSI C136.15-2020 compliant	WG-VTL	Wire Guard
PS ⁶	Field Adjustable Performance Selector	DSC	Optional Driver Door Safety Cable	BLS-VTL	Enhanced Backlight Shield
PND1 ⁷	Part Night Dimming V1	PWRD	Power Door Option (tool-free removable door w/ serviceable electrical items)	FSS-VTL	Front Side Shield
PND2 ⁷	Part Night Dimming V2	SFXXX ¹¹	Single Fuse ('XXX' = specify 120, 277, 347V)	CSS-VTL	Cul-de-sac Shield
PND3 ⁷	Part Night Dimming V3	DFXXX ¹¹	Double Fuse ('XXX' = specify 208, 240, 480V)	BSK	Bird Deterrent Spider Kit
MSL3 ^{8,9}	Motion Sensor w/ L3 Lens	BLS	Enhanced Back Light Shield (factory installed)	LLPCMV	Long Life Photocontrol MV
MSL7 ^{8,9}	Motion Sensor w/ L7 Lens	FSS	Front Side Shield (factory installed)	LLPCHV	Long Life Photocontrol HV
MSL3P ^{8,10}	Motion Sensor w/ L3 Lens w/ PCR7	CSS	Cul-de-sac Shield (factory installed)	FSIR100	MS Configuration Tool
MSL7P ^{8,10}	Motion Sensor w/ L7 Lens w/ PCR7				

*Accessories are ordered & shipped separately, not to be included in the luminaire's catalog number. (requires field installation)

- 80CRI option only available in 3000K, 4000K & 5000K CCTs and may have longer leadtimes (contact factory).
- Contact factory for 'NA-CF' Natural Aluminum Coastal Finish availability (extended leadtimes may apply).
- For full 100% D4i DALI functionality a 'PCR7CR', 'TLR4U' or 'TLR4L' must be selected w/ 'D4I' DALI driver option. DALI compatible node or sensor (by others).
- 'TLR4U' & 'TLR4L' twist lock receptacle options requires 'D4I' driver option to be selected.
- 'LLPC' requires 'PCR7CR' option to be selected (does not ship installed, included w/ luminaire).
- 'PS' Performance Selector enables field adjustable light output dimming control from the specified Performance Code (see table on pg.3 for details).
- 'PND' options only available w/ 'MV' 120-277V (contact factory for 'HV' 347-480V availability).
- Motion Sensor options only available w/ 'SPM', 'RPM', 'MAF', 'WM' and 'WMSC' horizontal mounting options.
- 'MSL3', 'MSL7' motion sensors require secondary controls for ON/OFF capability (ex. time clock or 0-10V by others). Contact factory for Motion Sensor availability w/ 'PCR7CR' control ready receptacle for use with wireless 7-PIN control node (by others).
- 'MSL3P', 'MSL7P' motion sensors includes a PCR7 photocontrol receptacle for use with a twist lock photocontrol for ON/OFF capability (for use with our 'LLPC' or photocontrol by others, PINs 6 & 7 are not wired for controls, not compatible w/ wireless nodes).
- For single or double fusing, 'XXX' must specify required voltage.

Nominal Performance Data 4000K & 5000K

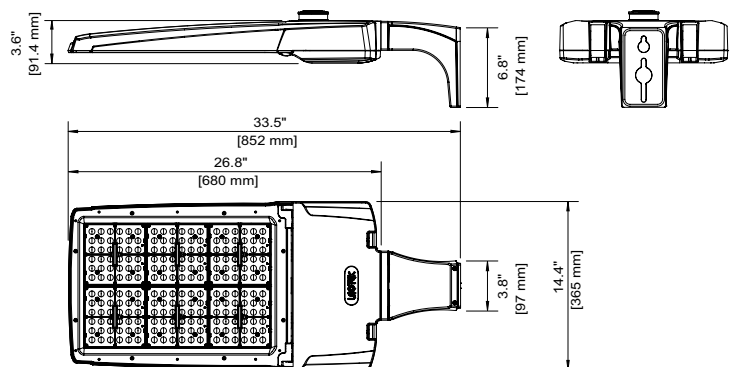
(IES Type-2R optic, 70CRI, 25°C ambient)

Performance Code	P1	P2	P3	P4	P5	P6	P7
Lumens ¹	34,402	39,347	48,464	52,923	57,295	61,580	65,674
System Wattage (W)	180	211	263	290	317	345	373
Efficacy (Lm/W)	191	186	184	182	181	178	176
HID Replacement	400-750W		1000W		1500W+		

1. Normal tolerance ± 10% due to factors including distribution type, LED bin variance, driver variance and ambient temperatures.

'SPM' Square Pole Arm Mount Dimensions

Quick mount arm can retrofit up to 5.25" max. bolt spacing w/ no drilling required



* Please refer to VersaTEK product specification sheets for additional ordering information & product details *