

# VersaTEK Large LED Floodlight Series



## Versatility by Design

The VersaTEK Floodlight Series is an extremely durable & performance focused solution for both specification & budget minded applications for demanding Utility, Municipality, DOT & Commercial project applications.

A value-driven solution for any flood application where the VersaTEK Flood's product reliability & performance is paired with lineman-friendly installation & hassle-free maintenance design to help provide the lowest total cost of ownership possible over an expected installed service life of 10-20 years.

Whether you need to light a loading dock, large open spaces, to accenting a building facade or structure like a bridge, the VersaTEK Flood has a wide range of mounting and performance optical solutions to get the job done right. Three slipfitters, yoke, trunnion and adjustable wall or direct to pole mounting options coupled with wide selection of all-purpose & performance flood optics to design with, making this floodlight ideal for new construction or as a retrofit solution providing ~70-80%+ in combined energy & maintenance savings vs. legacy HID alternatives.

## Key Features, Details & Specs

- 29,000 to 60,000+ lumens with efficacies up to 180+ LPW
- True 400-1000+ watt HID replacement (70%+ energy savings)
- Performance Selector option for field adjustment of wattage & lumens
- Next-gen performance LED platform, Flood optics & shielding
- 2700K, 3000K, 4000K & 5,000K CCT options available
- Weighs only 34-38 lbs. for safe single person installation
- Tool-free access with optional tool-free removable 'Power Door'
- 10kV integral surge standard, 20kV extreme surge option available
- Entire luminaire & optical assembly is rated IP66
- 50°C (122°F) high-ambient rating is standard
- Pass-thru convective cooling & integral thermal heatsink design
- IK10 rated design with IK10 rated glass lens
- A360 die-cast low copper content alloy (< 0.6%)
- 5,000-hour salt spray finish standard (coastal finish available)
- All exposed fasteners are stainless steel & captive
- 3G vibration rated suitable for high winds, overpasses, bridges, etc.
- Tested before & after rigorous 2-hour burn-in cycle
- Assembled in the USA at LEOTEK's San Jose, CA facility



'SF' slipfitter mount

### Typical Applications

- Electrical Substations
- Water Treatment Facilities
- Rail & Intermodal Yards
- Storage Yards
- Loading Docks
- Prisons
- Bridges
- Facades & Large Structures

### Integral Tool-Free Access Design

Tool-free electrical access & removable hinged door w/ fixed open door prop design for ease of installation or maintenance (compatible w/ most lineman safety gloves)



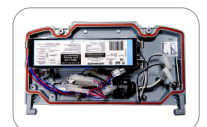
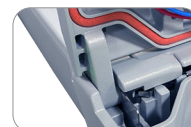
### Hassle Free Installation & Maintenance Features

Optional terminal block, slipfitter w/ self-centering 'star' design assists with leveling to a tenon and a UL recognized splice compartment ('SF' option splice compartment w/ 5-wire lead access & WAGOs for ease of installation, eliminates the need for a secondary j-box, compatible w/ 1-5/8", 2-3/8" & 3" O.D. tenons)



### Tool-Free Removable Power Door Option

All serviceable electrical components mounted to a Power Door that is accessed & removable without tools in less than 15 seconds (undo MOLEX connectors, push two spring clips to unlock door, slide forward to remove)



# VersaTEK Large LED Floodlight Series

'TR' trunnion mount



'YK' yoke mount



## Ordering Information

Sample Catalog No. VTLFL-216A-MV-40K7-N66-DB1-CF-P7-SFH-D4I-PCR7CR-TB-WL1-SP2-SF120

Product	LED Code	Voltage	Color Temp CRI	Optical Distribution	Finish*	Performance Code	Mounting Options
VersaTEK Large Flood	216A 216 LEDs Gen-A	MV 120-277V HV 347-480V	27K7 2700K, 70CRI 30K7 3000K, 70CRI 40K7 4000K, 70CRI 50K7 5000K, 70CRI  30K8 <sup>1</sup> 3000K, 80CRI 40K8 <sup>1</sup> 4000K, 80CRI 50K8 <sup>1</sup> 5000K, 80CRI	N66 NEMA 6Hx6V Flood S33 NEMA 3Hx3V Spot  NSP Narrow Spot RN Rectangular Narrow RM Rectangular Medium RW Rectangular Wide WG Wall Grazer	BK Black DB1 Dark Bronze (RAL8019) WH White GY Gray NA <sup>2</sup> Natural Aluminum Coastal Finish CF <sup>2</sup> Custom Finish  *Consult factory for custom finish options, pricing & leadtimes.	P1 P2 P3 P4 P5 P6 P7  (see Page 3 for details)	SF <sup>3</sup> Slipfitter w/ Wire Leads (in UL splice compartment) SFH <sup>4</sup> Slipfitter w/ S/O Cord Exiting Housing Bottom (3-wire S/O cord, 16AWG, 4' exit length) SFC <sup>4</sup> Slipfitter w/ S/O Cord Exiting Center of Fitter (3-wire S/O cord, 16AWG, 4' exit length) TR <sup>4</sup> Trunnion Mount (3-wire S/O cord, 16AWG, 4' exit length) YK <sup>4</sup> Yoke Mount (3-wire S/O cord, 16AWG, 4' exit length) AWM Adjustable Wall Mount (compatible w/ 3" & 4" square/octagonal recessed J-boxes) AWMSC Adjustable Wall Mount w/ Surface Conduit J-Box ASPM Universal Square Pole Adjustable Arm Mount ARPM Universal Round Pole Adjustable Arm Mount

Driver & Control Options		General Options	
D4I <sup>5</sup>	DALI D4i Driver	AIM45 <sup>10</sup>	Slipfitter Factory Pre-aimed at 45°
TLR4U <sup>5,6</sup>	DALI 4-PIN Twist Lock Receptacle (upper housing receptacle location)	SS	Slipfitter Set Screw (replaces standard slipfitter set bolts)
TLR4L <sup>5,6</sup>	DALI 4-PIN Twist Lock Receptacle (lower driver door receptacle location)	TFL	Tamper free latch (driver electrical door)
PCR7CR <sup>9</sup>	ANSI 7-wire Control Ready Receptacle	TB <sup>3</sup>	3-position Terminal Block
SC	Shorting Cap (factory installed)	SP2	20kV/10kA Extreme Surge, Fail-to-On
LLPC <sup>7</sup>	Long Life Photocontrol	LSSP2	20kV/10kA Extreme Surge, Fail-to-Off
PS <sup>8</sup>	Field Adjustable Performance Selector	WL	Wattage Label, ANSI C136.15-2015 compliant
PND1 <sup>9</sup>	Part Night Dimming V1	WL1	Wattage Label, ANSI C136.15-2020 compliant
PND2 <sup>9</sup>	Part Night Dimming V2	DSC	Optional Driver Door Safety Cable
PND3 <sup>9</sup>	Part Night Dimming V3	PWRD	Power Door Option (tool-free removable door w/ serviceable electrical items)
		SFXXX <sup>11</sup>	Single Fuse ('XXX' = specify voltage 120, 277, 347V)
		DFXXX <sup>11</sup>	Double Fuse ('XXX' = specify voltage 208, 240, 480V)
		5WSO <sup>12</sup>	5-wire S/O Cord (16AWG, 4' length w/ dimming leads)
		SOXXYY <sup>13</sup>	Special S/O AWG & Cord Length in Feet ('XX' = specify AWG 12, 14 or 16) ('YY' = specify S/O cord length 06, 08, 10, 15, 25)

General Accessories*	
TBS-VTL	Top, Bottom Shield
LRS-VTL	Left, Right Side Shield
4SS-VTL	4-sided Shield
BDS-VTL	Barn Door Shield
VS-VTL	Poly Vandal Shield
WG-VTL	Wire Guard
BSK	Bird Deterrent Spider Kit
LLPCMVM	Long Life Photocontrol MV
LLPCHV	Long Life Photocontrol HV

\*Accessories are ordered & shipped separately, not to be included in the luminaire's catalog number. (requires field installation)

- 80CRI option only available in 3000K, 4000K & 5000K CCTs and may have longer leadtimes (contact factory).
- Contact factory for 'NA-CF' Natural Aluminum Coastal Finish availability (extended leadtimes may apply).
- 'TB' Terminal Block is not available for use with the 'SF' Slipfitter mounting option.
- Mounting option includes 16AWG 3-wire S/O cord w/ a 4' exit length & last 6" of insulation removed.
- For full 100% D4i DALI functionality a 'PCR7CR', 'TLR4U' or 'TLR4L' must be selected w/ 'D4I' DALI driver option. DALI compatible node or sensor (by others).
- 'TLR4U' & 'TLR4L' twist lock receptacle option requires 'D4I' DALI driver option to be selected.
- 'LLPC' requires 'PCR7CR' option to be selected (does not ship installed, ships included w/ luminaire).
- 'PS' Performance Selector enables field adjustable light output dimming control from the specified Performance Code (see table on pg.3 for details).
- 'PND' options only available w/ 'MV' 120-277V (contact factory for 'HV' 347-480V availability).
- Slipfitter options 'SF', 'SFC', 'SFH' ship pre-aimed at 45° from the factory if 'AIM45' is specified.
- For single or double fusing, 'XXX' must specify required voltage.
- '5WSO' only available with 'SFC', 'SFH', 'TR' & 'YK' mounting options. Not available w/ 'PCR7CR', 'PS', 'PND', 'D4I', 'TLR4U', 'TLR4L' options.
- 'SOXXYY' option, 'XX' & 'YY' must specify S/O cord AWG & length.

## Nominal Performance Data 4000K & 5000K

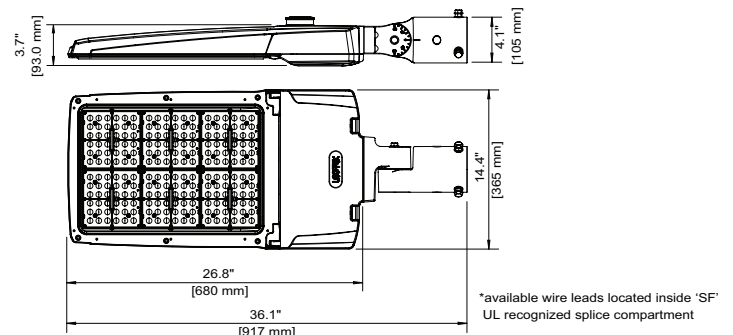
(NEMA 6x6 optic, 70CRI, standard IK10 rated glass lens, 25°C ambient)

Performance Code	P1	P2	P3	P4	P5	P6	P7
Lumens <sup>1</sup>	32,347	36,165	44,391	48,455	52,432	56,298	60,063
System Wattage (W)	180	211	263	290	317	345	373
Efficacy (Lm/W)	180	171	169	167	165	163	161
HID Replacement	400-750W		1000W		1000W+		

1. Normal tolerance ± 10% due to factors including distribution type, LED bin variance, driver variance and ambient temperatures.

## 'SF' Slipfitter Mount Dimensions\*

(5-wire leads in UL splice compartment, shown w/ optional 'PCR7')



\* Please refer to VersaTEK product specification sheets for additional ordering information & product details \*