

IL6 - P3 Series Ultra Low Power 12" Traffic Signal Module 10-28Vdc Incandescent Look Ball

Leading the LED Industry Since 1992

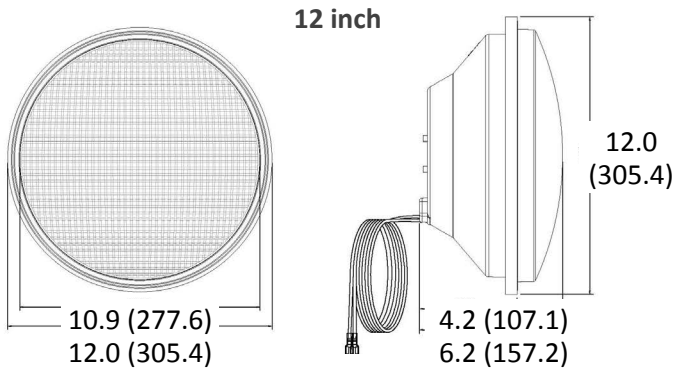
With over 7,000,000 units installed globally

Superior Performance and Reliability

- Environmentally friendly
- Significant energy efficiency
- Wider viewing angle
- Enhanced uniformity
- Utilizes constant current source to maintain consistent light output
- Engineered for superior thermal management.
- Maintains 70% of the initial lumen intensity after 100,000 hours of operation
- 5-Year Limited Warranty
- Excellent moisture and dust resistance



Mechanical Dimensions [in(mm)]



IL6 - P3 Series Ultra Low Power 12" Traffic Signal Module 10-28Vdc Incandescent Look Ball

Model Specifications and Ordering Options

Operating Temperature: -40°F to 165°F (-40°C to 74°C)	Operating Voltage: 10-28Vdc
---	-----------------------------

IL6-P3	Model Number and Color	Wattage Drawn	Voltage	Dominant Wavelength	Maintained Intensity (cd) Min.	Standard
	12 inch ball					
	TSL-12Y-LX-IL6-B1-P3-ULP	4.5W	10-28Vdc	589	410	N/A

Please note: Tinted lens standard, clear lens optional. When ordering clear lens, please add "-CLR" to model number.

Standard Conformance

- MIL-STD-810F Moisture Resistant
- MIL-STD-883 Mechanical Vibration
- NEMA TS2 Transient Voltage Protection over 2000V

ITE VTCSH Compliance - LED Circular Signal Supplement – June 27, 2005

- Conditioning: ITE 6.4.2
- Mechanical Vibration: ITE 6.4.3.1
- Temperature Cycling: ITE 6.4.3.2
- Chromaticity: ITE 6.4.4.1 - 6.4.4.4
- Uniformity: ITE 6.4.4.5