

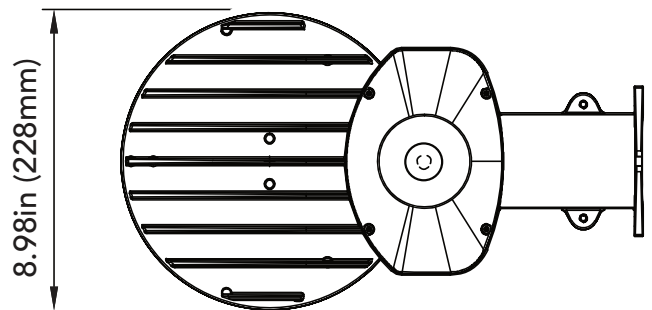
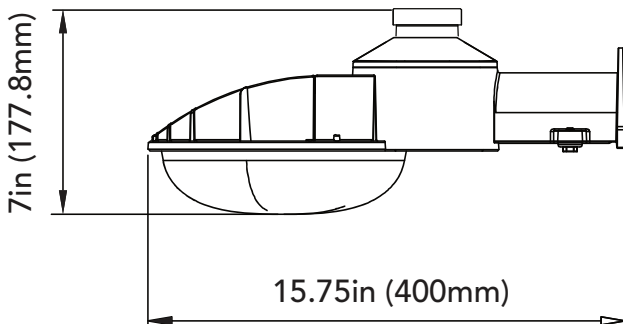


# SafeGuard™ SG1 LED Security Light



## FEATURES:

- Uniform Type 5 light distribution enhances security
- Standard 10kV / 5kA surge protection
- Complete fixture IP65 rated and powder coated
- Easy installation with pre-installed 6-foot weatherproof cable
- Suitable for both pole mounted and wall mounted installations
- 5-Year Standard Warranty or Optional 10-Year Warranty



**Weight** 6.3 lbs [2.86 kg]  
**Dimensions** 15.75" L x 8.98" W x 7" H

## Performance Data: 4000K (NW)

All data nominal. IES files for all CCTs are available at leotek.com.

Product	System Wattage (W)	Delivered Lumens (Lm)	Efficacy (Lm/W)	BUG Rating
SG1	50W	5484	109	B2 U3 G1

# SafeGuard™ SG1 LED Security Light

## Housing

Die cast aluminum housing with universal two-bolt slip fitter mounts to 1-1/4" to 2" (1-5/8" to 2-3/8" O.D.) diameter mast arm. One-piece aluminum housing provides passive heat-sinking of the LEDs. Mounting provisions meet 3G vibration per ANSI C136.31-2001 Normal Application, Bridge & Overpass.

## Light Emitting Diodes

Hi-flux/Hi-power white COB LED produces a minimum of 86% of initial intensity at 50,000 hours of life based on IES TM-21. LEDs are tested in accordance with IES LM-80 testing procedures. LEDs have correlated color temperature of 4000K (NW) and 70 CRI minimum. LEDs are 100% mercury and lead free.

## Optical Systems

Vandal Resistant UV stablied drop down lens produces IESNA Type 5 and is fully sealed to maintain an IP65 rating. Polycarbonate material meets UL 746C for outdoor usage.

## Electrical

Rated life of electrical components is 50,000 hours. Uses UL class 2 power supply with fixed current drivers. Power supply features a minimum power factor of .90 and <20% Total Harmonic Distortion (THD). EMC meets or exceeds FCC CFR Part 15. Surge protection complies with IEEE/ANSI C62.41 Category C, 10kV/5kA. Electrical enclosure meets IP65. Pre-wired with three conductor (18-gauge each) 6-foot cable. Cable includes weatherproof PVC jacket and seal to maintain IP65 rating.

## Finish

Housing receives a durable, fade-resistant polyester powder coat finish.

## Listings/Ratings/Labels

Luminaire is qualified to operate at ambient temperatures of -40°C to 40°C.

## Photometry

Luminaires photometrics are tested by certified independent testing laboratories in accordance with IES LM-79 testing procedures. IES files for all CCTs are available at leotek.com.

## Warranty

Standard 5-year limited warranty. See Leotek.com for warranty details. Optional 10-year warranty available by ordering with Option Code "10".

## Ordering Information:

Catalog No. **SG1-01-MV-NW-5-GY**

Product	LED Code	Voltage	Color Temperature	Distribution	Finish
SG1	01	MV 120-277V	NW 4000K	5 Type 5	GY Gray



The SafeGuard SG1 LED Security Light is a reliable, energy efficient, and economical option for night-time security.