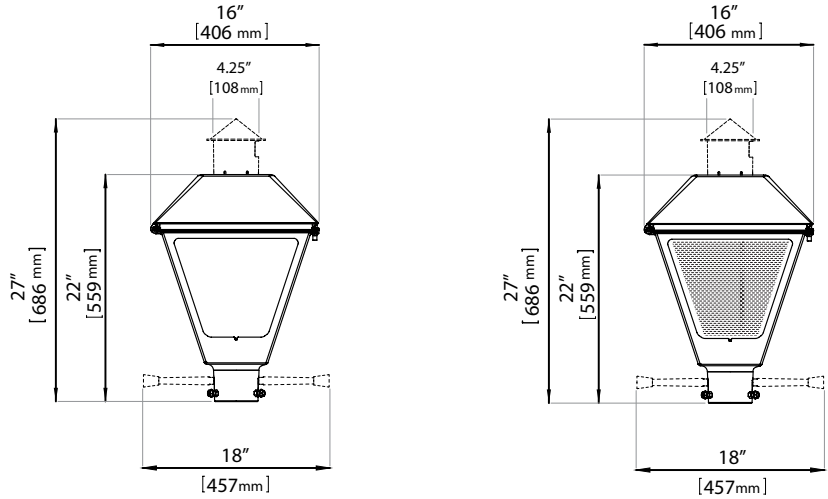


# Colonial LED Post Top PTC Series Specification Data Sheet

## Luminaire Data

**Weight** 19.62 lbs (8.9 kg)  
**EPA** 1.58 sq. ft.



Without Side Panels

With Side Panels

## Ordering Information

Sample Catalog No. PTC-S-F-T-S-30J-MV-40K-5-GY-055- PCR7-CR

Model	Size	Roof Style	Side Panels	LED Optic	LED Code	Voltage	Color Temperature	Distribution	Finish <sup>1</sup>	Output Code <sup>2</sup>
PTC	S	F Flat Sloped	N No Panels T Textured	S Micro Optic	30J 60J	MV 120-277V	27K 2700K	2 Type 2	BK Black GY Gray DB1 Dark Bronze (RAL8019)	Refer to Pages 3 through 6 for Output Code options.
						HV 347-480V	30K 3000K	3 Type 3		
							40K 4000K	5 Type 5		

Options	
<b>PCR7-CR<sup>3</sup></b>	Control Ready 7-wire PC Receptacle
<b>C</b>	Standard Cupola, (4.25" dia. x 5.3" H/ 108mm x 135mm)
<b>CS<sup>2</sup></b>	Field Adjustable Light Output
<b>WL</b>	Utility Wattage Label
<b>SP2</b>	Extreme Surge Protection, 20kA/10Kv
<b>HSS</b>	House Side Shield
<b>FSS</b>	Front Side Shield
<b>CSS</b>	Cul-de-Sac Shield
<b>BG</b>	Bird Guard Cover Plate
<b>LR</b>	Ladder Rest (set of 2)

Accessories	
<b>LLPCMV</b>	Long-Life Twist Lock Photocell (120V- 277V)
<b>LLPCHV</b>	Long-Life Twist Lock Photocell (347V- 480V)
<b>SC</b>	Shorting Cap
<b>BG</b>	Bird Guard Cover Plate
<b>C</b>	Standard Cupola, (4.25" dia. x 5.3" H/ 108mm x 135mm)
<b>LR</b>	Ladder Rest (set of 2)
<b>HSSJPTC30J</b>	House Side Shield
<b>HSSJPTC60J</b>	House Side Shield (set of 2)
<b>CSSJPTC30J</b>	Cul-de-Sac Shield
<b>CSSJPTC60J</b>	Cul-de-Sac Shield (set of 2)
<b>FSSJPTC30J</b>	Front Side Shield
<b>FSSJPTC60J</b>	Front Side Shield (set of 2)

Notes:

- Consult factory for other finishes.
- Specified output code is the factory set lumen performance. Refer to performance data table. Optional current selector enables fixture to be changed in the field to adjust light output for local conditions. If both CS current selector and PCR7 receptacle are required, specify "PCR7-CS". Note that dimming wires will not be connected to receptacle.
- Control-ready wired at factory for wireless node dimming (node by others). No current selector included.



## Luminaire Specifications

### Housing

Die cast aluminum housing with universal slip fitter accommodates pole diameters from 2-3/8" to 3". Aluminum housing provides passive heat-sinking of the LEDs and has upper surfaces that shed precipitation. Mounting provisions meet 3G vibration per ANSI C136.31-2010 Normal Application, Bridge & Overpass by independent lab. All wiring and electrical enclosure hardware is tool-less, captive, and stainless steel.

### Light Emitting Diodes

LEDs produce minimum 90% of initial intensity at 60,000 hours of life per IES recommended lumen maintenance life projection based on 6 times the duration of the collected LM-80 data. For details on IESNA Position on LED Product Lifetime Prediction, refer to PS-10-18. LEDs have correlated color temperature of 2700K (27K), 3000K (30K), 4000K (40K) and 70 CRI minimum. LEDs are ROHS compliant, 100% mercury and lead free.

### Optional Field Adjustable

#### Light Output (CS)

LED lumen output can be changed in the field to adjust light output for local conditions using the current selector in the luminaire for continuous dimming. Range of continuous dimming is above 10%. Field adjustable range shown in performance data table. If both CS current selector and PCR7 receptacle are required, specify "PCR7-CS". Note that dimming wires will not be connected to receptacle.

### Quality Control

Every luminaire is performance tested before and after a 2-hour burn-in period. Assembled in the USA.

### Optical Systems

Micro-lens optical systems produce Type 2, Type 3, or Type 5 distributions and are fully sealed to maintain an IP66 rating. Luminaire produces 0% total lumens above 90° (BUG Rating, U=0 without side panels). UV stabilized polycarbonate textured side panels (side panel version) Field-installable accessory shields available.

### Electrical

Rated life of electrical components is 100,000 hours. Uses isolated power supply that is 1-10V dimmable. Power supply is wired with quick-disconnect terminals. EMC meets or exceeds FCC CFR Part 15. Terminal block accommodates 6 to 14 gauge wire. Standard surge protection, 10kV/5kA, complies with IEEE/ANSI C62.41 Category C High and ANSI C136.2-2015, 3-part test.

### Power Supply

IP66 rated power supply with high power factor of > 90%. Auto sensing universal AC input from 120 to 277VAC (MV model) and 347 to 480VAC (HV mode) rated for both line to line and line to neutral applications. Maximum THD rating of 20%. Class 1 or Class 2. Built-in overheating protection mechanism will reduce drive current to LEDs and electrical components if the driver experiences unusual internal overheating situation. Built-in short circuit, voltage overload, and current overload protection with automatic recovery after correction.

### Controls

ANSI C136.41 7-wire PCR7-CR photocontrol receptacle is optional. Dimming leads factory-wired to the receptacle for control ready luminaire. Receptacle has tool-less rotatable base. Wireless control module provided by others. If PCR7-CS is specified, dimming wires are not wired to photocell receptacle

### Finish

Housing receives a durable, fade-resistant polyester powder coat finish with 3.0 mil nominal thickness. Standard finish tested to withstand 1000 hours in salt spray exposure per ASTM B117. Finish meets ASTM D1654. Finish tested 500 hours in UV exposure per ASTM G154 and meets ASTM D523 gloss retention.

### Listings/Ratings/Labels

Luminaires are UL listed for use in wet locations in the United States and Canada. All electronic components inside of the luminaire are NRTL damp location rated per ANSI 136.37-2011 Ingress Protection standard. For International Dark Sky (IDA) certification, the No Side Panel option and 3000k or warmer LEDs must be selected. Assembled in the U.S.A

### Photometry

Luminaires photometrics are tested by certified independent testing laboratories in accordance with IES testing procedures. Reports available upon request.

### Warranty

5-year limited warranty is standard on luminaire and components. See Leotek.com for warranty details.

### Vandal Resistant Housing

Housing and LED engine optics rated to IK10.

### Certification and Compliance

Luminaire complies with:  
ANSI: C136.2, C136.3, C136.10, C136.13, C136.15, C136.22, C136.31, C136.35, C136.37, C136.41, C62.41, C78.377, C82.77  
Other: FCC 47 CFR, IEC 60598, ROHS II, UL 1449, UL 1598

## Color Specifications

Order Code	Color	RAL #	Pantone Equivalent
<b>GY</b>	Gray	7040	429C
<b>BK</b>	Black	9004	426C
<b>DB1</b>	Dark Bronze	8019	412C

## Lumen Maintenance per IES TM21-11 Calculation

Model Number	60,000 Hours*	80,000 Hours	100,000 Hours
<b>30J</b>	>99%	>98%	>98%
<b>60J</b>	>98%	>98%	>97%

\*Calculation based on IES position statement on Lumen Maintenance Life Projections

### Performance Data: 2700K (27K)

All data nominal. IES files for all CCTs available at leotek.com.

Product	LED Code	Output Code	System Wattage	Delivered Lumens	Efficacy (Lm/W)	System Drive Current	Field Adjustable Output Range (CS Option)
PTC-S-F-N	30J	030	23	2778	121	580	↕
		040	34	4102	121	890	
		045	38	4567	121	1000	
		055	46	5455	119	1200	
		065	54	6343	117	1400	
	60J	065	46	6306	137	380	↕
		075	55	7335	133	460	
		090	67	9020	135	560	
		100	77	10120	131	640	
		110	84	11000	131	700	

Notes:

1 Nominal lumens. Normal tolerance  $\pm 10\%$  due to factors including distribution type, LED bin variance, and ambient temperatures.

### Performance Data: 3000K (30K)

All data nominal. IES files for all CCTs available at leotek.com.

Product	LED Code	Output Code	System Wattage	Delivered Lumens	Efficacy (Lm/W)	System Drive Current	Field Adjustable Output Range (CS Option)
PTC-S-F-N	30J	030	23	2924	127	580	↕
		045	33	4374	131	890	
		050	37	4873	132	1000	
		060	45	5825	128	1200	
		070	54	6800	126	1400	
	60J	065	46	6293	137	380	↕
		075	55	7507	136	460	
		090	67	9053	135	560	
		100	77	10157	132	640	
		110	84	11040	131	700	

Notes:

1 Nominal lumens. Normal tolerance  $\pm 10\%$  due to factors including distribution type, LED bin variance, and ambient temperatures.

### Performance Data: 4000K (40K)

All data nominal. IES files for all CCTs available at leotek.com.

Product	LED Code	Output Code	System Wattage	Delivered Lumens	Efficacy (Lm/W)	System Drive Current	Field Adjustable Output Range (CS Option)
PTC-S-F-N	30J	030	23	3068	133	580	↕
		045	34	4566	136	890	
		050	38	5090	135	1000	
		060	46	6112	133	1200	
		070	54	7135	132	1400	
	60J	065	46	6664	145	380	↕
		080	55	7949	145	460	
		095	67	9586	142	560	
		110	77	10755	138	640	
		115	84	11690	138	700	

Notes:

1 Nominal lumens. Normal tolerance  $\pm 10\%$  due to factors including distribution type, LED bin variance, and ambient temperatures.

**BUG Ratings: 2700K (27K)\***

		Type 2	Type 3	Type 5
Product & LED Code	Output Code	BUG Rating	BUG Rating	BUG Rating
<b>PTC-S-F-N-30J</b>	030	B1-U0-G1	B1-U0-G1	B2-U0-G1
	040	B1-U0-G1	B1-U0-G1	B2-U0-G1
	045	B2-U0-G1	B1-U0-G1	B2-U0-G1
	055	B2-U0-G2	B1-U0-G1	B3-U0-G1
	065	B2 U0 G2	B2 U0 G2	B3 U0 G1
<b>PTC-S-F-N-60J</b>	065	B2 U0 G2	B2 U0 G2	B3 U0 G1
	075	B2-U0-G2	B2-U0-G2	B3-U0-G1
	090	B2-U0-G2	B2-U0-G2	B3-U0-G2
	100	B3-U0-G3	B2-U0-G2	B3-U0-G2
	110	B3 U0 G3	B2 U0 G2	B4 U0 G2

\*All data nominal. IES files for all CCTs are available at leotek.com.

**BUG Ratings: 3000K (30K)\***

		Type 2	Type 3	Type 5
Product & LED Code	Output Code	BUG Rating	BUG Rating	BUG Rating
<b>PTC-S-F-N-30J</b>	030	B1-U0-G1	B1-U0-G1	B2-U0-G1
	045	B1-U0-G1	B1-U0-G1	B2-U0-G1
	050	B2-U0-G1	B1-U0-G1	B3-U0-G1
	060	B2-U0-G2	B1-U0-G1	B3-U0-G1
	070	B2 U0 G2	B2 U0 G2	B3 U0 G1
<b>PTC-S-F-N-60J</b>	065	B2-U0-G2	B2-U0-G2	B3-U0-G1
	075	B2-U0-G2	B2-U0-G2	B3-U0-G1
	090	B2-U0-G2	B2-U0-G2	B3-U0-G2
	100	B2-U0-G2	B2-U0-G2	B3-U0-G2
	110	B3 U0 G3	B2 U0 G2	B3 U0 G2

\*All data nominal. IES files for all CCTs are available at leotek.com.

**BUG Ratings: 4000K (40K)\***

		Type 2	Type 3	Type 5
Product & LED Code	Output Code	BUG Rating	BUG Rating	BUG Rating
<b>PTC-S-F-N-30J</b>	030	B1-U0-G1	B1-U0-G1	B2-U0-G1
	045	B2-U0-G1	B1-U0-G1	B3-U0-G1
	050	B2-U0-G1	B1-U0-G1	B3-U0-G1
	060	B2-U0-G2	B2-U0-G2	B3-U0-G1
	070	B2 U0 G2	B2 U0 G2	B3 U0 G1
<b>PTC-S-F-N-60J</b>	065	B2-U0-G2	B2-U0-G2	B3-U0-G1
	080	B2-U0-G2	B2-U0-G2	B3-U0-G2
	095	B2-U0-G2	B2-U0-G2	B3-U0-G2
	110	B3-U0-G3	B2-U0-G2	B3-U0-G2
	115	B3 U0 G3	B2-U0-G2	B4 U0 G2

\*All data nominal. IES files for all CCTs are available at leotek.com.

**Performance Data: 2700K (27K)**

All data nominal. IES files for all CCTs available at leotek.com.

Product	LED Code	Output Code	System Wattage	Delivered Lumens	Efficacy (Lm/W)	System Drive Current	Field Adjustable Output Range (CS Option)
PTC-S-F-T	30J	025	23	2553	113	580	↑ ↓
		035	33	3701	112	890	
		040	37	4171	112	1000	
		050	46	4994	110	1200	
		060	54	5875	108	1400	
	60J	060	46	5775	125	380	↑ ↓
		070	55	6762	123	460	
		080	67	8175	122	560	
		095	77	9285	121	640	
		100	84	10092	120	700	

Notes:

1 Nominal lumens. Normal tolerance ± 10% due to factors including distribution type, LED bin variance, and ambient temperatures.

**Performance Data: 3000K (30K)**

All data nominal. IES files for all CCTs available at leotek.com.

Product	LED Code	Output Code	System Wattage	Delivered Lumens	Efficacy (Lm/W)	System Drive Current	Field Adjustable Output Range (CS Option)
PTC-S-F-T	30J	025	22	2722	121	580	↑ ↓
		040	33	3957	121	890	
		045	37	4438	121	1000	
		055	45	5338	118	1200	
		065	54	6280	117	1400	
	60J	060	46	5823	127	380	↑ ↓
		070	55	6821	124	460	
		080	67	8246	123	560	
		095	77	9366	122	640	
		100	84	10180	122	700	

Notes:

1 Nominal lumens. Normal tolerance ± 10% due to factors including distribution type, LED bin variance, and ambient temperatures.

**Performance Data: 4000K (40K)**

All data nominal. IES files for all CCTs available at leotek.com.

Product	LED Code	Output Code	System Wattage	Delivered Lumens	Efficacy (Lm/W)	System Drive Current	Field Adjustable Output Range (CS Option)
PTC-S-F-T	30J	030	23	2847	126	580	↑ ↓
		040	33	4139	126	890	
		045	37	4664	126	1000	
		055	45	5584	123	1200	
		065	54	6569	121	1400	
	60J	060	46	6137	133	380	↑ ↓
		070	55	7189	131	460	
		085	67	8691	130	560	
		100	77	9872	128	640	
		105	84	10730	128	700	

Notes:

1 Nominal lumens. Normal tolerance ± 10% due to factors including distribution type, LED bin variance, and ambient temperatures.

**BUG Ratings: 2700K (27K)\***

		Type 2	Type 3	Type 5
Product & LED Code	Output Code	BUG Rating	BUG Rating	BUG Rating
<b>PTC-S-F-T-30J</b>	025	B1-U2-G1	B1-U3-G2	B2-U3-G1
	035	B1-U3-G2	B1-U3-G2	B2-U3-G2
	040	B1-U3-G2	B1-U3-G2	B2-U3-G2
	050	B2-U3-G2	B1-U3-G2	B2-U3-G2
	060	B2-U3-G2	B2-U3-G3	B3-U3-G2
<b>PTC-S-F-T-60J</b>	060	B2-U3-G2	B2-U3-G3	B3-U3-G2
	070	B2-U3-G3	B2-U3-G3	B3-U3-G3
	080	B2-U3-G3	B2-U3-G3	B3-U3-G3
	095	B3-U3-G3	B2-U3-G3	B3-U3-G3
	100	B3-U3-G3	B2-U3-G3	B3-U3-G3

\*All data nominal. IES files for all CCTs are available at leotek.com.

**BUG Ratings: 3000K (30K)\***

		Type 2	Type 3	Type 5
Product & LED Code	Output Code	BUG Rating	BUG Rating	BUG Rating
<b>PTC-S-F-T-30J</b>	025	B1-U3-G1	B1-U3-G2	B2-U3-G1
	040	B1-U3-G2	B1-U3-G2	B2-U3-G2
	045	B1-U3-G2	B1-U3-G2	B2-U3-G2
	055	B2-U3-G2	B1-U3-G2	B3-U3-G2
	065	B2-U3-G2	B2-U3-G3	B3-U3-G2
<b>PTC-S-F-T-60J</b>	060	B2-U3-G2	B2-U3-G3	B3-U3-G2
	070	B2-U3-G3	B2-U3-G3	B3-U3-G3
	080	B2-U3-G3	B2-U3-G3	B3-U3-G3
	095	B3-U3-G3	B2-U3-G3	B3-U3-G3
	100	B3-U3-G3	B2-U3-G3	B3-U3-G3

\*All data nominal. IES files for all CCTs are available at leotek.com.

**BUG Ratings: 4000K (40K)\***

		Type 2	Type 3	Type 5
Product & LED Code	Output Code	BUG Rating	BUG Rating	BUG Rating
<b>PTC-S-F-T-30J</b>	030	B1-U3-G2	B1-U3-G2	B2-U3-G1
	040	B1-U3-G2	B1-U3-G2	B2-U3-G2
	045	B2-U3-G2	B1-U3-G2	B2-U3-G2
	055	B2-U3-G2	B2-U3-G2	B3-U3-G2
	065	B2-U3-G3	B2-U3-G3	B3-U3-G2
<b>PTC-S-F-T-60J</b>	060	B2-U3-G2	B2-U3-G3	B3-U3-G2
	070	B2-U3-G3	B2-U3-G3	B3-U3-G3
	085	B2-U3-G3	B2-U3-G3	B3-U3-G3
	100	B3-U3-G3	B2-U3-G3	B3-U3-G3
	105	B3-U3-G3	B2-U3-G3	B3-U3-G3

\*All data nominal. IES files for all CCTs are available at leotek.com.