

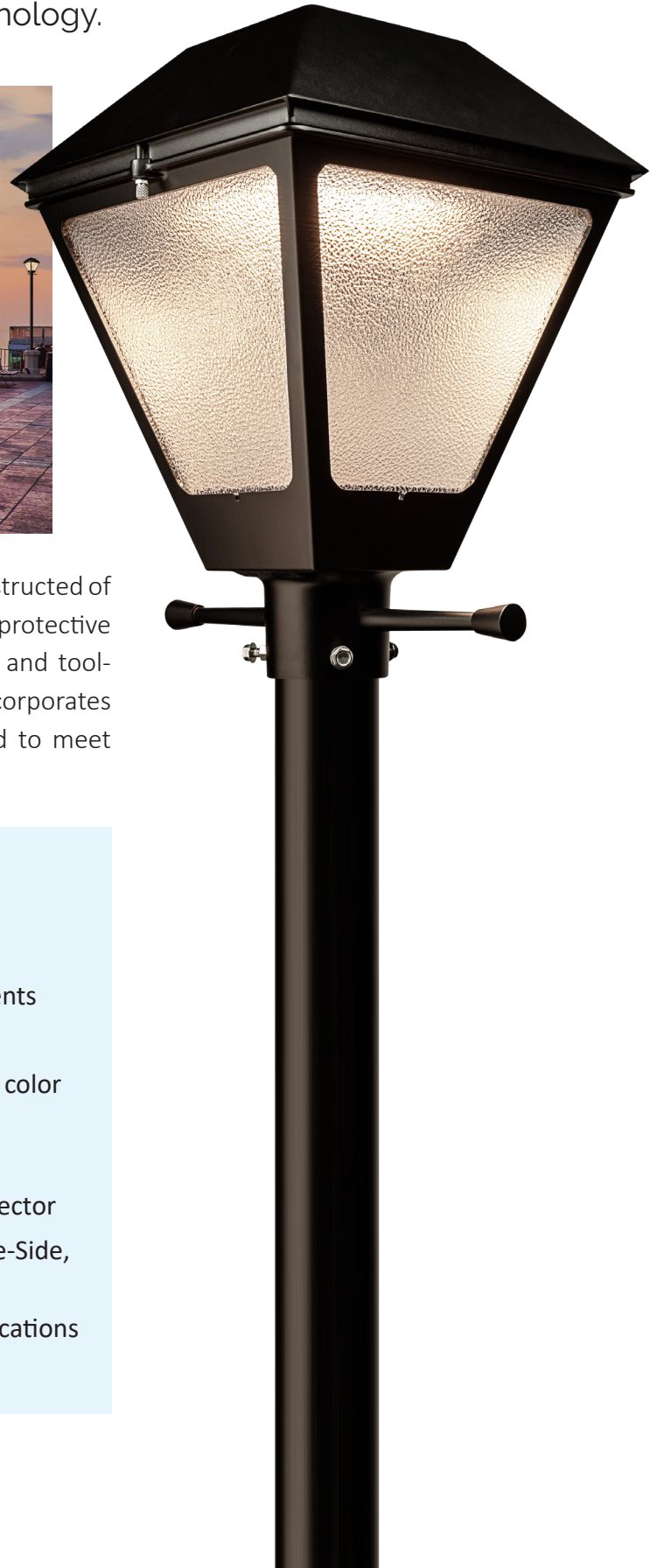
# Post Top Colonial Lantern



LEOTEK's Post Top Colonial Lantern provides the traditional aesthetic of an old-style lantern with the versatility, cost-savings and benefits of advanced LED technology.



The Post Top Colonial is a specification-grade luminaire constructed of durable die-cast aluminum and finished with long-lasting protective powder coat paint. Fasteners are stainless-steel, captive, and tool-less. While traditional in design, the Post Top Colonial incorporates state of the art long-life rated components and is tested to meet rigorous industry standards.



- Diecast Aluminum Housing
- Standard Stainless Steel, Captive, Tool-Less Hardware
- Durable, corrosion resistant powder-coat paint finish
- Long-life rated power supply, LED, and optical components
- Efficacy up to 145 lumens per watt
- Available in 2700K (27K), 3000K (30K), and 4000K (40K) color temperatures
- Standard 10kV/5kA enhanced surge protection
- Field adjustable lighting levels with optional current selector
- Tool-less field installable light trespass shields for House-Side, Front-Side, & Cul-de-Sac applications
- 2-hour burn-in and 100% tested to performance specifications
- 5 Year Standard Warranty



# Post Top Colonial Lantern

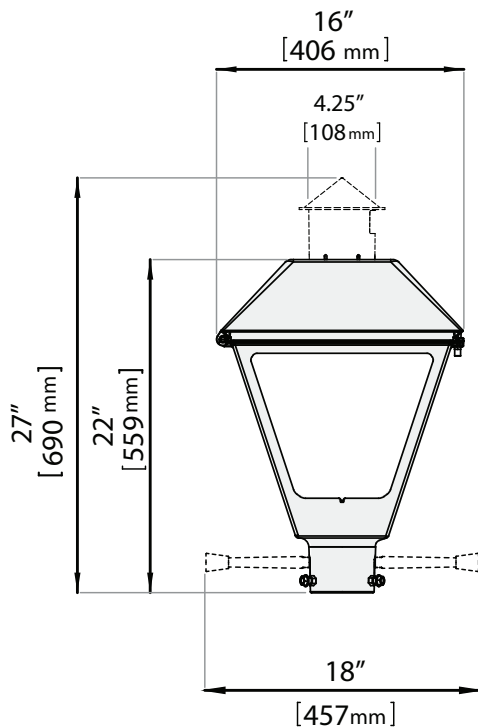
The Post Top Colonial (PTC) is offered in both side panel lens versions and, for “dark sky” applications, without side panels.

## Dimensions & Profile

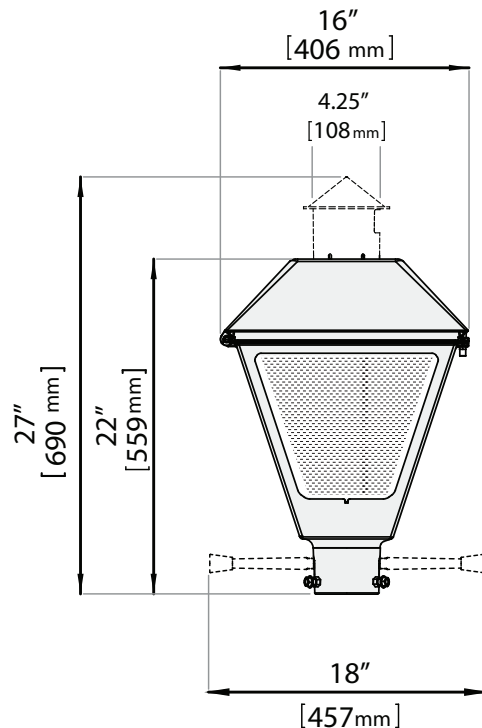
<b>Weight</b>	19.6 lbs (8.9 kg)
<b>EPA</b>	1.58 sq. ft.
<b>Width</b>	16" [406mm]
<b>Height</b>	27" [690mm]

**30J** (single LED Array) delivers over 7000 lumens

**60J** (two LED Arrays) deliver over 11,000 lumens



Without Side Panels



With Side Panels

## Lumen Range and HPS Equivalents

	Without Side Panels		With Side Panels	
	30J	60J	30J	60J
<b>HPS Equivalent Range</b>	50W - 100W	100W - 150W	50W - 100W	100W - 150W
<b>Output Range 3000K</b>	2,900lm ↔ 6,800lm	6,300lm ↔ 11,000lm	2,700lm ↔ 6,300lm	5,800lm ↔ 10,200lm

For Complete Specifications and IES Files  
Visit [www.LEOTEK.com](http://www.LEOTEK.com)

