

IL6 - P3/P2 Series LED 8" and 12" Traffic Signal Module 10-28Vdc Incandescent Look Ball

Leading the LED Industry Since 1992

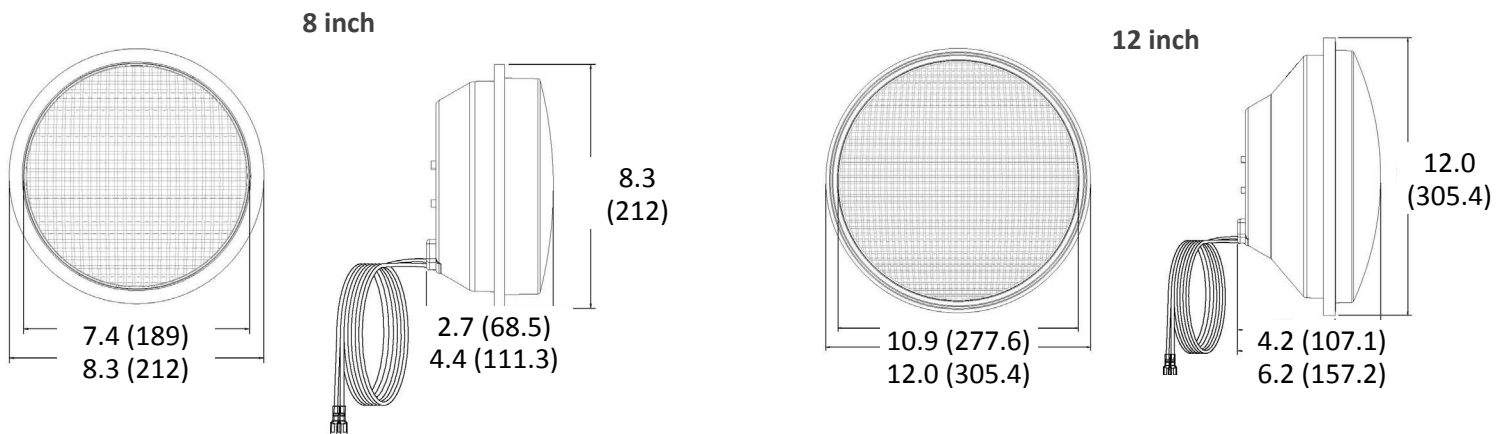
With over 7,000,000 units installed globally



Superior Performance and Reliability

- Environmentally friendly
- Significant energy efficiency
- Wider viewing angle
- Enhanced uniformity
- Utilizes constant current source to maintain consistent light output
- Engineered for superior thermal management.
- Meets and/or exceeds all ITE standards ITE VTCSH LED Circular Signal Supplement dated June 27th 2005
- Maintains 70% of the initial lumen intensity after 100,000 hours of operation
- 5-Year Limited Warranty
- Complies with FCC title 47, Subpart B section 15 for Radiated Emission
- Excellent moisture and dust resistance

Mechanical Dimensions [in(mm)]



IL6 - P3/P2 Series LED 8" and 12" Traffic Signal Module 10-28Vdc Incandescent Look Ball

Model Specifications and Ordering Options

Operating Temperature: -40°F to 165°F (-40°C to 74°C)	Operating Voltage: 10-28Vdc
---	-----------------------------

	Model Number and Color	Wattage Drawn	Voltage	Dominant Wavelength	Maintained Intensity (cd) Min.	Standard	
IL6-P3	8 inch ball						
	TSL-08R-LX-IL6-B1-P3	●	2.4W	10-28Vdc	626	165	ITE 2005*
	TSL-08Y-LX-IL6-B1-P3	●	4.3W	10-28Vdc	589	410	ITE 2005*
	TSL-08G-LX-IL6-B1-P3	●	3.4W	10-28Vdc	500	215	ITE 2005*
	12 inch ball						
	TSL-12R-LX-IL6-B1-P3	●	4.4W	10-28Vdc	626	365	ITE 2005*
	TSL-12Y-LX-IL6-B1-P3	●	10W	10-28Vdc	589	910	ITE 2005*
	TSL-12Y-LX-IL6-B1-P3-ULP	●	4.5W	10-28Vdc	589	410	N/A
TSL-12G-LX-IL6-B1-P3	●	6.6W	10-28Vdc	500	475	ITE 2005*	
IL6-P2	8 inch ball						
	TSL-08R-LX-IL6-B1-P2	●	5W	10-28Vdc	626	165	ITE 2005*
	TSL-08Y-LX-IL6-B1-P2	●	7W	10-28Vdc	589	410	ITE 2005*
	TSL-08G-LX-IL6-B1-P2	●	5W	10-28Vdc	500	215	ITE 2005*
	12 inch ball						
	TSL-12R-LX-IL6-B1-P2	●	8W	10-28Vdc	626	365	ITE 2005*
	TSL-12Y-LX-IL6-B1-P2	●	13W	10-28Vdc	589	910	ITE 2005*
	TSL-12G-LX-IL6-B1-P2	●	7W	10-28Vdc	500	475	ITE 2005*

Please note: Tinted lens standard, clear lens optional. When ordering clear lens, please add "-CLR" to model number.

* Meet ITE 2005 Intensity, Color and Uniformity.

Standard Conformance

- Complies with FCC title 47, Subpart B section 15 for Radiated Emission
- MIL-STD-810F Moisture Resistant
- MIL-STD-883 Mechanical Vibration
- NEMA TS2 Transient Voltage Protection over 2000V

ITE VTCSH Compliance - LED Circular Signal Supplement – June 27, 2005

• Conditioning	ITE 6.4.2	• Luminous Intensity	ITE 6.4.4.1-4
• Mechanical Vibration	ITE 6.4.3.1	• Chromaticity	ITE 6.4.4.1 - 6.4.4.4
• Temperature Cycling	ITE 6.4.3.2	• Uniformity	ITE 6.4.4.5