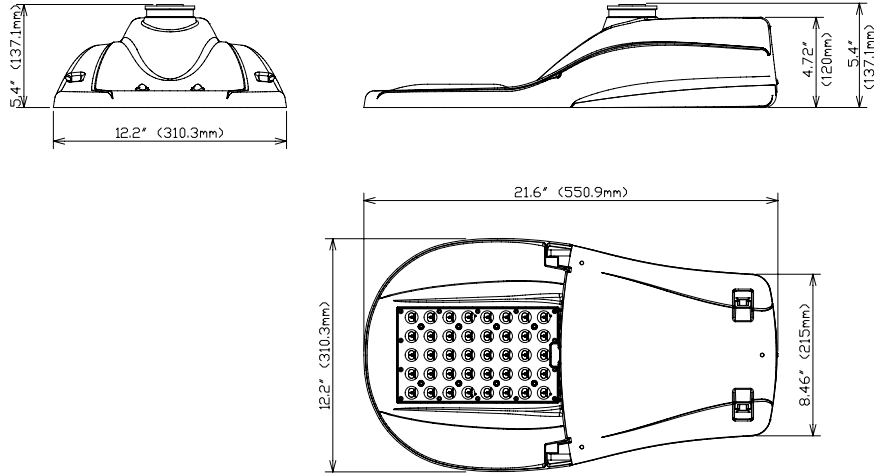


# GreenCobra<sup>®</sup> Midsize LED Street Light

## GCM F-Series Specification Data Sheet

### Luminaire Data

**Weight** 11 lbs [5.0 kg]  
**EPA** 0.44 ft<sup>2</sup>



### Ordering Information

Sample Catalog No. GCM1 30F MV NW 2 GY 700 PCR7 WL

Product	LED Code	Voltage	Color Temperature	Distribution	Finish <sup>1</sup>	Drive Current <sup>2</sup>	Options
<b>GCM1</b> 30F@ 350 to 700mA	<b>30F</b>	<b>MV</b> 120-277V <b>HV</b> 347-480V	<b>WW</b> 3000K <b>NW</b> 4000K <b>CW</b> 5000K	<b>2</b> Type 2 <b>3</b> Type 3	<b>GY</b> Gray <b>DB</b> Dark Bronze <b>BK</b> Black	<b>350</b> <sup>3</sup> 350mA <b>530</b> <sup>3</sup> 530mA <b>700</b> 700mA <b>1A</b> <sup>4</sup> 1A	<b>FDC</b> <sup>5</sup> Fixed Drive Current <b>LPCR</b> Less Photocontrol Receptacle <b>PCR7</b> <sup>6</sup> ANSI 7-wire Photo- control Receptacle <b>PCR7-CR</b> <sup>7</sup> Control Ready 7-wire PC Receptacle <b>WL</b> Utility Wattage Label <b>4B</b> 4-Bolt Mounting Bracket <b>RWG</b> Rubber Wildlife Guard <b>CF</b> <sup>8</sup> Coastal Paint Finish
<b>GCM2</b> 30F@ 700mA to 1A, 40F @ 700mA to 1A	<b>40F</b>						

#### Notes:

- 1 Gray, Black and Dark Bronze standard, consult factory for other finishes.
- 2 Specified drive current code is the factory set maximum drive current. Field adjustable current selector enables standard dimming to lower wattage drive currents only. Consult factory if wattage limits require a special drive current.
- 3 350mA and 530mA drive current available with GCM1 only.
- 4 1A drive current available with GCM2 only.
- 5 Non-field adjustable, fixed drive current. Specify required drive current. Not available with PCR7-CR option.
- 6 Field adjustable current selector included to enable standard dimming to lower wattage drive currents only. Field changeable connectors included to enable connection to PCR7 (wireless node dimming is disabled by default).
- 7 Control-ready wiring at factory for wireless node dimming. Default maximum drive current (700mA or 1A) must be specified.
- 8 Specify the CF Option for coastal installation. See warranty for details.
- 9 Flush mounted house side shield. Shield cuts light off at 1/2 mounting height behind luminaire.
- 10 Flush mounted cul-de-sac shield. Shield cuts light off at 1/2 mounting height behind luminaire and 1-1/2 mounting height on either side of luminaire.
- 11 Specify Color (GY, DB, BK)
- 12 Specify MV (120-277V) or HV (347V-480V)

#### Accessories\*

<b>HSSGCM</b> <sup>9</sup>	House Side Shield, Snap-On*
<b>CSSGCM</b> <sup>10</sup>	Cul-De-Sac Side Shield, Snap-On*
<b>SPB</b> <sup>11</sup>	Square Pole Horizontal Arm Bracket
<b>RPB</b> <sup>11</sup>	Round Pole Horizontal Arm Bracket
<b>PTB</b> <sup>11</sup>	Pole Top Tenon Horizontal Arm Bracket
<b>WB</b> <sup>11</sup>	Wall Horizontal Arm Bracket
<b>BSK</b>	Bird Deterrent Spider Kit
<b>LLPC</b> <sup>12</sup>	Long-Life Twist Lock Photocontrol
<b>SC</b>	Twist Lock Shorting Cap

\*Unless specified for field installation, Shields and Shorting Caps are shipped installed. All other options are shipped separately.



### Luminaire Specifications

#### Housing

Die cast aluminum housing with universal two-bolt slip fitter mounts to 1-1/4" to 2" (1-5/8" to 2-3/8" O.D.) diameter mast arm. One-piece aluminum housing provides passive heat-sinking of the LEDs and has upper surfaces that shed precipitation. Four-bolt mounting bracket is available. Mounting provisions meet 3G vibration per ANSI C136.31-2010 Normal Application, Bridge & Overpass. Mounting has leveling adjustment from  $\pm 5^\circ$  in 2.5° steps. Electrical components are accessed without tools via die cast aluminum door with stainless steel quick-release latches. Provided standard with removable polycarbonate wild life guard. For additional protection, optional rubber wildlife guard (RWG) which conforms snugly to the mast arm is offered.

#### Light Emitting Diodes

LEDs produce minimum 90% of initial intensity at 60,000 hours of life per IES recommended lumen maintenance life projection based on 6 times the duration of the collected LM-80 data. For details on IESNA Position on LED Product Lifetime Prediction, PS-10-18. LEDs have correlated color temperature of 3000K (WW), 4000K (NW), or 5000K (CW) and 70 CRI minimum. LEDs are ROHS compliant, 100% mercury and lead free.

#### Field Adjustability

LED lumen output can be changed in the field to adjust drive current for local conditions (not available with PCR7-CR option). The specified driver current will be the factory set output. Field adjustments can be made with the output selector included in the fixture. Field adjustable range shown in performance data table.

#### Quality Control

Every luminaire is performance tested before and after a 2-hour burn-in period. Assembled in the USA.

#### Optical Systems

Micro-lens optical systems produce IESNA Type 2 or Type 3 distributions and are fully sealed to maintain an IP66 rating. Luminaire produces 0% total lumens above 90° (BUG Rating, U=0). Optional house side shield cuts light off at 1/2 mounting height behind luminaire. Cul-de-sac shield provides back and side light control for end of cul-de-sac applications. Both shields are field installable without tools.

#### Electrical

Rated life of electrical components is 100,000 hours. Uses isolated power supply that is 1-10V dimmable. Power supply is wired with quick-disconnect terminals. Power supply features a minimum power factor of .90 and <20% Total Harmonic Distortion (THD). EMC meets or exceeds FCC CFR Part 15. Terminal block accommodates 6 to 14 gauge wire. Surge protection complies with IEEE/ANSI C62.41 Category C High, 20kV/10kA.

#### Controls

3-Wire photocontrol receptacle is standard. ANSI C136.41 5-wire (PCR5) or 7-wire (PCR7) photocontrol receptacles are available. All photocontrol receptacles have tool-less rotatable bases. Wireless control module is provided by others.

#### Finish

Housing receives a durable, fade-resistant polyester powder coat finish. Finish tested to withstand 3000 hours in salt spray exposure per ASTM B117. Finish tested 500 hours in UV exposure per ASTM G154 and meets ASTM D523 gloss retention. Coastal Finish meets G85 test standard.

#### Listings/Ratings/Labels

luminaires are UL listed for use in wet locations in the United States and Canada. DesignLights Consortium™ qualified 120-277V product. International Dark Sky Association listed.2 Luminaire is qualified to operate at ambient temperatures of -40°C to 40°C.

#### Photometry

Luminaires photometrics are tested by certified independent testing laboratories in accordance with IES LM-79 testing procedures. IES files for all CCTs are available at leotek.com.

#### Warranty

10-year limited warranty is standard on luminaire and components. See Leotek.com for warranty details.

#### Vandal Resistance

Housing and optics rated to IK10

#### Certification and Compliance

Luminaire complies with:  
ANSI: C136.2, C136.3, C136.10, C136.13, C136.15, C136.22, C136.31, C136.35, C136.37, C136.41, C62.41, C78.377, C82.77  
Other: FCC 47 CFR, IEC 60598, ROHS II, UL 1449, UL 1598

### Performance Data: 3000K (WW)

All data nominal. IES files for all CCTs are available at leotek.com.

No. of LEDs & Type	Drive Current (mA)	System Wattage (W)	Delivered Lumens (Lm)	Efficacy (Lm/W) <sup>1</sup>	Type 2	Type 3
					BUG Rating	BUG Rating
GCM1 30F	350	36	4100	114	B1 U0 G1	B1 U0 G1
	530	53	5600	106	B1 U0 G1	B2 U0 G2
	700	69	6950	101	B2 U0 G2	B2 U0 G2
GCM2 30F	700	69	6950	101	B2 U0 G2	B2 U0 G2
	1000	104	9100	88	B2 U0 G2	B2 U0 G2
GCM2 40F	700	88	9400	107	B2 U0 G2	B2 U0 G2
	1000	138	11750	85	B2 U0 G2	B2 U0 G2

### Performance Data: 4000K (NW) and 5000K (CW)

All data nominal. IES files for all CCTs are available at leotek.com.

No. of LEDs & Type	Drive Current (mA)	System Wattage (W)	Delivered Lumens (Lm)	Efficacy (Lm/W) <sup>1</sup>	Type 2	Type 3
					BUG Rating	BUG Rating
GCM1 30F	350	36	3900	108	B1 U0 G1	B1 U0 G1
	530	53	5620	106	B1 U0 G1	B2 U0 G2
	700	69	7000	100	B2 U0 G2	B2 U0 G2
GCM2 30F	700	69	7000	100	B2 U0 G2	B2 U0 G2
	1000	104	9200	88	B2 U0 G2	B2 U0 G2
GCM2 40F	700	88	9000	102	B2 U0 G2	B2 U0 G2
	1000	138	12000	87	B2 U0 G2	B2 U0 G2

Notes:

1 Nominal lumens. Normal tolerance ± 10% due to factors including distribution type, LED bin variance, and ambient temperatures.

2 Not all versions DLC qualified. Consult qualified product list at [www.designlights.org](http://www.designlights.org) for latest product listing.