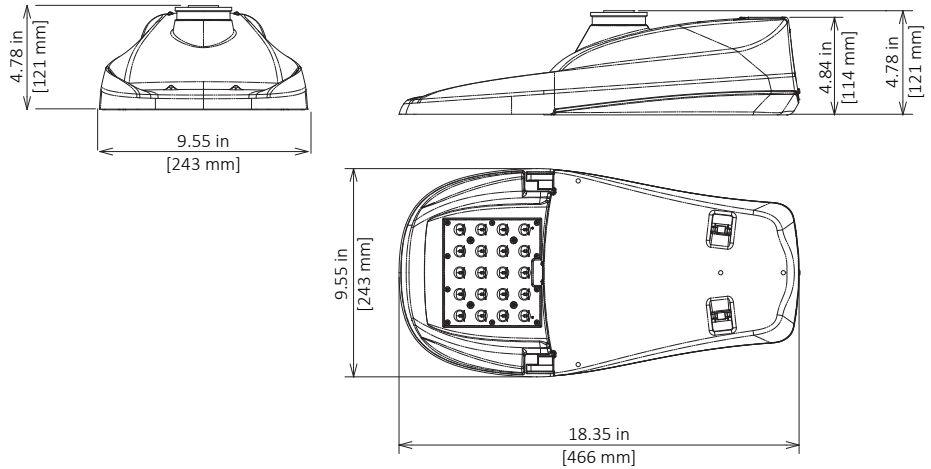


GreenCobra™ Jr. LED Street Light

GCJ H-Series Specification Data Sheet

Luminaire Data

Weight 7 lbs [3.2 kg]
EPA 0.39 ft²



Ordering Information

Sample Catalog No. GCJ1 20H MV NW 2R GY 580

Product	LED Code	Voltage	Color Temperature	Distribution	Finish ¹	GCJ0 Drive Current Code ²	Options
GCJ0	15H	MV 120-277V HV 347-480V	WW 3000K NW 4000K CW 5000K	2R Type 2 3 Type 3 4 Type 4 5 Type 5	GY Gray DB Dark Bronze BK Black	300	FDC ³ Fixed Drive Current FFA ⁴ Full Field Adjustability LPCR Less Photocontrol Receptacle PCR7 ⁵ ANSI 7-wire Photo-control Receptacle PCR7-CR ⁶ Control Ready 7-wire PC Receptacle
						700	
GCJ1	20H					GCJ1 Drive Current Code ²	WL Utility Wattage Label 4B 4-Bolt Mounting Bracket RWG Rubber Wildlife Guard SWTB Straight Wire Terminal Block BBL Bubble Level CF ⁷ Coastal Paint Finish
						350	
						450	
						530	
						580	
700							
GCJ2	20H					GCJ2 Drive Current Code ²	
						700	
						830	
						900	
						1A	

Notes:

- 1 Gray, Black, and Dark Bronze standard. Consult factory for other finishes.
- 2 Specified drive current code is the factory set maximum drive current. Field adjustable current selector enables standard dimming to lower wattage drive currents only. Consult factory if wattage limits require a special drive current.
- 3 Non-field adjustable, fixed drive current. Specify required drive current code. Not available with PCR7-CR option.
- 4 The FFA option enables full field adjustability from the specified drive current code to all drive currents available. This option is not DLC qualified.
- 5 Field adjustable current selector included to enable standard dimming to lower wattage drive currents only. Field changeable connectors included to enable connection to PCR7 (wireless node dimming is disabled by default).
- 6 Control-ready wired at factory for wireless node dimming. Supplied at maximum drive current. If a lower drive current is required, consult factory.
- 7 Specify the CF Option for coastal installation. See warranty for details.
- 8 Flush mounted house side shield. Shield cuts light off at 1/2 mounting height behind luminaire.
- 9 Flush mounted cul-de-sac shield. Shield cuts light off at 1/2 mounting height behind luminaire and 1-1/2 mounting height on either side of luminaire.
- 10 Flush mounted front side shield cuts light off at approximately one mounting height in front of luminaire (street side).
- 11 Specify Color (GY, DB, BK)
- 12 Specify MV (120-277V) or HV (347-480V).

Accessories*	
HSSGCJ ⁸	House Side Shield, Snap-On*
CSSGCJ ⁹	Cul-De-Sac Side Shield, Snap-On*
FSSGCJ ¹⁰	Front Side Shield, Snap-On*
SPB ¹¹	Square Pole Horizontal Arm Bracket
RPB ¹¹	Round Pole Horizontal Arm Bracket
PTB ¹¹	Pole Top Tenon Horizontal Arm Bracket
PTB2 ¹¹	Pole Top Tenon Horizontal Arm Bracket (2@180°)
WB ¹¹	Wall Horizontal Arm Bracket
BSK	Bird Deterrent Spider Kit
LLPC ¹²	Long-Life Twist Lock Photocontrol
SC	Twist Lock Shorting Cap

*Accessories are ordered separately and not to be included in the catalog number. For factory installed HSS, CSS, and FSS specify as option in luminaire catalog number.



Luminaire Specifications

Housing

Die cast aluminum housing with universal two-bolt slip fitter mounts to 1-1/4" to 2" (1-5/8" to 2-3/8" O.D.) diameter mast arm. One-piece aluminum housing provides passive heat-sinking of the LEDs and has upper surfaces that shed precipitation. Four-bolt mounting bracket is available. Mounting provisions meet 3G vibration per ANSI C136.31-2010 Normal Application, Bridge & Overpass. Mounting has leveling adjustment from $\pm 5^\circ$ in 2.5° steps. Electrical components are accessed without tools via a high-strength, non-conductive polycarbonate door with quick-release latches. Polycarbonate material meets UL 746C for outdoor usage. Available rubber wildlife guard (RWG option) conforms to mast arm with no gaps.

Light Emitting Diodes

Hi-flux/Hi-power white LEDs produce a minimum of 90% of initial intensity at 100,000 hours of life based on IES TM-21 (L90 \geq 100k hours). LEDs are tested in accordance with IES LM-80 testing procedures. LEDs have correlated color temperature of 3000K (WW), 4000K (NW), or 5000K (CW) and 70 CRI minimum. LEDs are 100% mercury and lead free.

Field Adjustability

LED drive current can be changed in the field to adjust light output for local conditions (not available with PCR7-CR option). The specified drive current code will be the factory set maximum drive current and field adjustments can only be made to available lower wattage drive currents. Select the FFA option if full field adjustability to all available drive currents (700mA max or 1A max) is desired. The FFA option is not DLC qualified.

Quality Control

Every luminaire is performance tested before and after a 2-hour burn-in period. Assembled in the USA.

Optical Systems

Micro-lens optical systems produce IESNA Type 2, Type 3, Type 4, or Type 5 distributions and are fully sealed to maintain an IP66 rating. Luminaire produces 0% total lumens above 90° (BUG Rating, U=0). Optional house side shield cuts light off at 1/2 mounting height behind luminaire. Cul-de-sac shield provides back and side light control for end of cul-de-sac applications. Both shields are field installable without tools.

Electrical

Rated life of electrical components is 100,000 hours. Uses isolated power supply that is 1-10V dimmable. Power supply is wired with quick-disconnect terminals. Power supply features a minimum power factor of .90 and <20% Total Harmonic Distortion (THD). EMC meets or exceeds FCC CFR Part 15. Terminal block accommodates 6 to 14 gauge wire. Surge protection complies with IEEE/ANSI C62.41 Category C High, 20kV/10kA and ANSI C136.2-2015, 20kV/10kA.

Controls

3-Wire photocontrol receptacle is standard. ANSI C136.41 7-wire (PCR7) photocontrol receptacles is available. All photocontrol receptacles have tool-less rotatable bases. Wireless control module is provided by others.

Finish

Housing receives a durable, fade-resistant polyester powder coat finish with 3.0 mil nominal thickness. Standard finish tested to withstand 5000 hours in salt spray exposure per ASTM B117 and Coastal Finish per ASTM G85. Finish meets scribe creepage rating 8 per ASTM D1654. Finish tested 500 hours in UV exposure per ASTM G154 and meets ASTM D523 gloss retention.

Listings/Ratings/Labels

Luminaires are UL listed for use in wet locations in the United States and Canada. DesignLights Consortium™ qualified product. Consult DLC QPL for Standard and Premium Classification Listings. International Dark Sky Association listed. Luminaire is qualified to operate at ambient temperatures of -40°C to 40°C. Assembled in the U.S.A

Photometry

Luminaire photometrics are tested by certified independent testing laboratories in accordance with IES LM-79 testing procedures.

Warranty

10-year limited warranty is standard on luminaire and components.

Vandal Resistance

Housing and optics rated to IK10

Standards

Luminaire complies with:

ANSI: C136.2, C136.3, C136.10, C136.13, C136.15, C136.22, C136.31, C136.35, C136.37, C136.41, C62.41, C78.377, C82.77

Other: FCC 47 CFR, IEC 60598, ROHS II, UL 1449, UL 1598

Performance Data: 3000K (WW)

All data nominal. IES files for all CCTs available at leotek.com.

Product	LED Code	Drive Current Code	System Wattage (W)	Delivered Lumens (Lm) ¹	Efficacy (Lm/W)
GCJ0	15H	300 ²	15	1810	121
		390 ²	19	2280	120
		490 ³	24	2840	118
		590	30	3410	114
		700	35	3910	112
GCJ1	20H	350 ³	25	3040	122
		450	29	3470	120
		530	34	3980	117
		580	39	4470	115
		700	46	5130	112
GCJ2	20H	700	45	5020	112
		830	54	5780	107
		900	58	6120	106
		1A	68	6960	102

Notes:

1 Nominal lumens. Normal tolerance $\pm 10\%$ due to factors including distribution type, LED bin variance, and ambient temperatures.

2 DLC Approved only at 120VAC.

3 DLC Approved at 120-240VAC.

Performance Data: 4000K (NW) and 5000K (CW)

All data nominal. IES files for all CCTs available at leotek.com.

Product	LED Code	Drive Current Code	System Wattage (W)	Delivered Lumens (Lm) ¹	Efficacy (Lm/W)
GCJ0	15H	300 ²	15	2000	133
		390 ²	19	2490	131
		490 ³	24	3070	128
		590	30	3650	122
		700	35	4180	119
GCJ1	20H	350 ³	25	3240	130
		450	29	3720	128
		530	34	4320	127
		580	39	4850	124
		700	46	5510	120
GCJ2	20H	700	45	5430	121
		830	54	6210	115
		900	58	6630	114
		1A	68	7430	109

Notes:

1 Nominal lumens. Normal tolerance $\pm 10\%$ due to factors including distribution type, LED bin variance, and ambient temperatures.

2 DLC Approved only at 120VAC.

3 DLC Approved at 120-240VAC.

BUG Ratings: 3000K (WW)

All data nominal. IES files for all CCTs are available at leotek.com.

Product & LED Code	Drive Current Code	Type 2R	Type 3	Type 4	Type 5
		BUG Rating	BUG Rating	BUG Rating	BUG Rating
GCJ0 15H	300	B0 U0 G0	B1 U0 G1	B1 U0 G1	B1 U0 G0
	390	B1 U0 G0	B1 U0 G1	B1 U0 G1	B1 U0 G0
	490	B1 U0 G1	B1 U0 G1	B1 U0 G1	B2 U0 G0
	590	B1 U0 G1	B1 U0 G1	B1 U0 G1	B2 U0 G0
	700	B1 U0 G1	B1 U0 G1	B1 U0 G1	B2 U0 G1
GCJ1 20H	350	B1 U0 G1	B1 U0 G1	B1 U0 G1	B2 U0 G0
	450	B1 U0 G1	B1 U0 G1	B1 U0 G1	B2 U0 G0
	530	B1 U0 G1	B1 U0 G1	B1 U0 G1	B2 U0 G1
	580	B1 U0 G1	B1 U0 G1	B1 U0 G1	B2 U0 G1
	700	B1 U0 G1	B2 U0 G1	B2 U0 G1	B3 U0 G1
GCJ2 20H	700	B1 U0 G1	B1 U0 G1	B2 U0 G1	B3 U0 G1
	830	B1 U0 G1	B2 U0 G2	B2 U0 G1	B3 U0 G1
	900	B1 U0 G1	B2 U0 G2	B2 U0 G1	B3 U0 G1
	1A	B1 U0 G2	B2 U0 G2	B2 U0 G2	B3 U0 G1

BUG Ratings: 4000K (NW) and 5000K (CW)

All data nominal. IES files for all CCTs are available at leotek.com.

Product & LED Code	Drive Current Code	Type 2R	Type 3	Type 4	Type 5
		BUG Rating	BUG Rating	BUG Rating	BUG Rating
GCJ0 15H	300	B1 U0 G0	B1 U0 G1	B1 U0 G1	B1 U0 G0
	390	B1 U0 G0	B1 U0 G1	B1 U0 G1	B1 U0 G0
	490	B1 U0 G1	B1 U0 G1	B1 U0 G1	B2 U0 G0
	590	B1 U0 G1	B1 U0 G1	B1 U0 G1	B2 U0 G1
	700	B1 U0 G1	B1 U0 G1	B1 U0 G1	B2 U0 G1
GCJ1 20H	350	B1 U0 G1	B1 U0 G1	B1 U0 G1	B2 U0 G1
	450	B1 U0 G1	B1 U0 G1	B1 U0 G1	B2 U0 G1
	530	B1 U0 G1	B1 U0 G1	B1 U0 G1	B2 U0 G1
	580	B1 U0 G1	B1 U0 G1	B2 U0 G1	B3 U0 G1
	700	B1 U0 G1	B2 U0 G1	B2 U0 G1	B3 U0 G1
GCJ2 20H	700	B1 U0 G1	B2 U0 G1	B2 U0 G1	B3 U0 G1
	830	B1 U0 G1	B2 U0 G2	B2 U0 G1	B3 U0 G1
	900	B1 U0 G1	B2 U0 G2	B2 U0 G2	B3 U0 G1
	1A	B1 U0 G2	B2 U0 G2	B2 U0 G2	B3 U0 G1