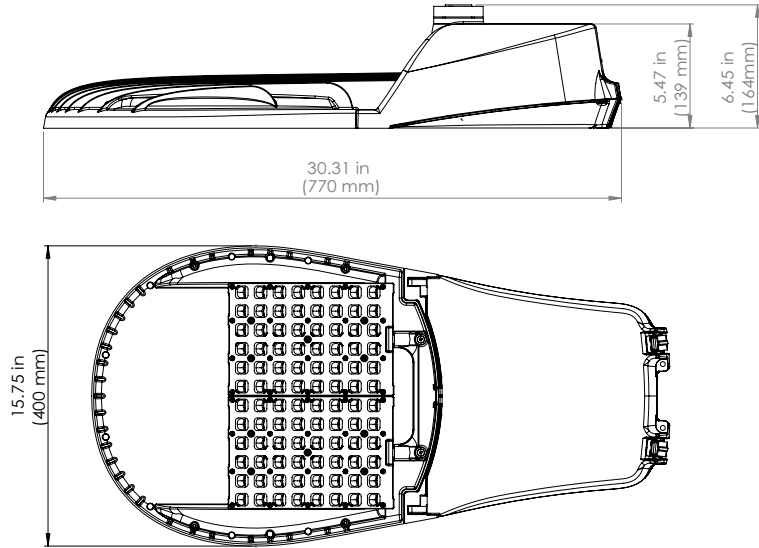


GreenCobra™ LED Street Light

GC2 G-Series Specification Data Sheet

Luminaire Data

Weight 25 lbs [11.3 kg]
EPA 0.77 ft²



Ordering Information

Sample Catalog No. GC2-96G-MV-NW-2R-GY-FDC700

Product	LED Code	Voltage	Color Temperature	Distribution	Finish ¹	Drive Current Code ²	Options		
GC2 (700mA Max)	96G	MV 120-277V	WW 3000K	2R Type 2 Medium	GY Gray	350	FDC ³ Fixed Drive Current		
		HV 347-480V	NW 4000K				DB Dark Bronze	450 Full Field Adjustability	
GC2 (1A Max)	96G		CW 5000K	3R Type 3 Medium	BK Black	610	LPCR Less Photocontrol Receptacle		
							4 Type 4	700	PCR7 ⁵ ANSI 7-wire Photocontrol Receptacle
									5 Type 5
						800	SC PCR Shorting Cap		
						900	WL Utility Wattage Label		
						975	DSC Door Safety Cable		
						1A	CF ⁷ Coastal Paint Finish		

Notes:

- 1 Gray, Black and Dark Bronze standard, consult factory for other finishes.
- 2 Specified drive current code is the factory set maximum drive current. Field adjustable current selector enables standard dimming to lower wattage drive currents only. Consult factory if wattage limits require a special drive current.
- 3 Non-field adjustable, fixed drive current. Specify required drive current. Not available with PCR7-CR option.
- 4 The FFA option enables full field adjustability from the specified drive current code to all drive currents available. This option is not DLC qualified.
- 5 Field adjustable current selector included to enable standard dimming to lower wattage drive currents only. Field changeable connectors included to enable connection to PCR7 (wireless node dimming is disabled by default).
- 6 Control-ready wired at factory for wireless node dimming. Supplied at maximum drive current. If lower drive current is required, consult factory.
- 7 Specify the CF Option for coastal installation. See warranty for details.
- 8 Flush mounted house side shield. Shield cuts light off at 1/2 mounting height behind luminaire. Specify model and color.
- 9 Specify Color (GY, DB, BK)
- 10 Specify MV (120-277V) or HV (347V) or HV (480V)

Accessories*	
HSSGC ⁸	House Side Shield
SPB ⁹	Square Pole Horizontal Arm Bracket
RPB ⁹	Round Pole Horizontal Arm Bracket
PTB ⁹	Pole Top Tenon Horizontal Arm Bracket
PTB2 ⁹	Pole Top Tenon Horizontal Arm Bracket (2@180°)
WB ⁹	Wall Horizontal Arm Bracket
BSK	Bird Deterrent Spider Kit
LLPC ¹⁰	Long-Life Twist Lock Photocontrol
SC	Twist Lock Shorting Cap

*Accessories are ordered separately and not to be included in the catalog number. For factory-installed HSS, consult factory

Luminaire Specifications

Housing

Die cast aluminum housing with universal four-bolt slip fitter mounts to 1-1/4" to 2" (1-5/8" to 2-3/8" O.D.) diameter mast arm. Aluminum housing provides passive heat-sinking of the LEDs and has upper surfaces that shed precipitation. Mounting provisions meet 3G vibration per ANSI C136.31-2010 Normal Application, Bridge & Overpass. Mounting has leveling adjustment from + 10° to -5° in 2.5° steps and integral bubble level standard. Electrical components are accessed without tools and are mounted on removable power door with stainless steel latches. Standard rubber wildlife guard conforms to mast arm with no gaps.

Light Emitting Diodes

Hi-flux/Hi-power white LEDs produce a minimum of 90% of initial intensity at 100,000 hours of life based on IES TM-21 (L90 = 100k hours). LEDs are tested in accordance with IES LM-80 testing procedures. LEDs have correlated color temperature of 3000K (WW), 4000K (NW), or 5000K (CW) and 70 CRI minimum. LEDs are 100% mercury and lead free.

Field Adjustability

LED drive current can be changed in the field to adjust light output for local conditions (not available with PCR7-CR option). The specified drive current code will be the factory set maximum drive current and field adjustments can only be made to available lower wattage drive currents. Select the FFA option if full field adjustability to all available drive currents (700mA max or 1A max) is desired. The FFA option is not DLC qualified.

Quality Control

Every luminaire is performance tested before and after a 2-hour burn-in period. Assembled in the USA.

Optical Systems

Micro-lens optical systems produce IESNA Type 2 medium (2R), Type 3 medium (3R), Type 4, or Type 5 distributions and are fully sealed to maintain an IP66 rating. Luminaire produces 0% total lumens above 90° (BUG Rating, U=0). Optional house side shield cuts light off at 1/2 mounting height behind luminaire.

Electrical

Rated life of electrical components is 100,000 hours minimum. Uses isolated power supply that is 1-10V dimmable. Power supply is wired with quick-disconnect terminals. Power supply features a minimum power factor of .90 and <20% Total Harmonic Distortion (THD). EMC meets or exceeds FCC CFR Part 15. Terminal block accommodates 6 to 14 gauge wire and is aligned for straight wire entry. Surge protection complies with IEEE/ANSI C62.41 Category C High, 20kV/10kA and ANSI C136.2-2015, 20kV/10kA.

Controls

3-Wire photocontrol receptacle is standard. ANSI C136.41 7-wire (PCR7) photocontrol receptacle is available. All photocontrol receptacles have tool-less rotatable bases. Wireless control module is provided by others.

Finish

Housing receives a durable, fade-resistant polyester powder coat finish with 3.0 mil nominal thickness. Standard finish tested to withstand 5000 hours in salt spray exposure per ASTM B117 and Coastal Finish per ASTM G85. Finish meets scribe creepage rating 8 per ASTM D1654. Finish tested 500 hours in UV exposure per ASTM G154 and meets ASTM D523 gloss retention.

Listings/Ratings/Labels

Luminaires are UL listed for use in wet locations in the United States and Canada. DesignLights Consortium™ qualified product. Consult DLC QPL for Standard and Premium Classification Listings. International Dark Sky Association listed. Luminaire is qualified to operate at ambient temperatures of -40°C to 40°C. Assembled in the U.S.A

Photometry

Luminaire photometrics are tested by certified independent testing laboratories in accordance with IES LM-79 testing procedures. IES files for all CCTs are available at leotek.com.

Warranty

10-year limited warranty is standard on luminaire and components.

Standards

Luminaire complies with:
ANSI: C136.2, C136.3, C136.10, C136.13, C136.15, C136.22, C136.31, C136.35, C136.37, C136.41, C62.41, C78.377, C82.77
Other: FCC 47 CFR, IEC 60598, ROHS II, UL 1449, UL 1598

Performance Data: 3000K (WW)

All data nominal. IES files for all CCTs are available at leotek.com.

Product	LED Code	Drive Current Code	System Wattage (W)	Delivered Lumens (Lm) ¹	Efficacy (Lm/W)	Type 2R BUG Rating	Type 3R BUG Rating	Type 4 BUG Rating	Type 5 BUG Rating
GC2 (700mA Max)	96G	350	106	14,000	132	B3-U0-G2	B3-U0-G3	B3-U0-G3	B4-U0-G2
		450	130	16,900	130	B3-U0-G2	B3-U0-G3	B3-U0-G3	B4-U0-G2
		530	159	20,400	128	B3-U0-G3	B3-U0-G3	B3-U0-G3	B4-U0-G2
		610	180	22,400	124	B3-U0-G3	B3-U0-G3	B3-U0-G3	B5-U0-G3
		700	209	25,400	122	B3-U0-G3	B3-U0-G3	B4-U0-G3	B5-U0-G3
GC2 (1A Max)	96G	750	226	26,900	119	B3-U0-G3	B3-U0-G3	B4-U0-G3	B5-U0-G3
		800	242	28,200	117	B3-U0-G3	B3-U0-G3	B4-U0-G3	B5-U0-G3
		900	273	30,900	113	B3-U0-G3	B4-U0-G4	B4-U0-G3	B5-U0-G3
		975	289	32,200	111	B3-U0-G3	B4-U0-G4	B4-U0-G4	B5-U0-G3
		1A	310	34,000	110	B4-U0-G3	B4-U0-G4	B4-U0-G4	B5-U0-G3

Notes:

1 Normal tolerance ± 10% due to factors including distribution type, LED bin variance, and ambient temperatures.

Performance Data: 4000K (NW)

All data nominal. IES files for all CCTs are available at leotek.com.

Product	LED Code	Drive Current Code	System Wattage (W)	Delivered Lumens (Lm) ¹	Efficacy (Lm/W)	Type 2R BUG Rating	Type 3R BUG Rating	Type 4 BUG Rating	Type 5 BUG Rating
GC2 (700mA Max)	96G	350	106	14,600	138	B3-U0-G2	B3-U0-G3	B3-U0-G3	B4-U0-G2
		450	130	17,600	135	B3-U0-G3	B3-U0-G3	B3-U0-G3	B4-U0-G2
		530	159	21,100	133	B3-U0-G3	B3-U0-G3	B3-U0-G3	B4-U0-G2
		610	180	23,400	130	B3-U0-G3	B3-U0-G3	B3-U0-G3	B5-U0-G3
		700	209	26,700	128	B3-U0-G3	B3-U0-G3	B4-U0-G3	B5-U0-G3
GC2 (1A Max)	96G	750	226	28,300	125	B3-U0-G3	B4-U0-G4	B4-U0-G4	B5-U0-G3
		800	242	29,800	123	B3-U0-G3	B4-U0-G4	B4-U0-G3	B5-U0-G3
		900	273	32,700	120	B3-U0-G4	B4-U0-G4	B4-U0-G4	B5-U0-G3
		975	289	34,100	118	B4-U0-G4	B4-U0-G4	B4-U0-G4	B5-U0-G4
		1A	310	35,800	115	B4-U0-G4	B4-U0-G4	B4-U0-G4	B5-U0-G4

Notes:

1 Normal tolerance ± 10% due to factors including distribution type, LED bin variance, and ambient temperatures.

Performance Data: 5000K (CW)

All data nominal. IES files for all CCTs are available at leotek.com.

Product	LED Code	Drive Current Code	System Wattage (W)	Delivered Lumens (Lm) ¹	Efficacy (Lm/W)	Type 2R BUG Rating	Type 3R BUG Rating	Type 4 BUG Rating	Type 5 BUG Rating
GC2 (700mA Max)	96G	350	106	14,600	138	B3-U0-G2	B3-U0-G3	B3-U0-G3	B4-U0-G2
		450	130	17,600	135	B3-U0-G3	B3-U0-G3	B3-U0-G3	B4-U0-G2
		530	159	21,100	133	B3-U0-G3	B3-U0-G3	B3-U0-G3	B4-U0-G2
		610	180	23,400	130	B3-U0-G3	B3-U0-G3	B3-U0-G3	B5-U0-G3
		700	209	26,700	128	B3-U0-G3	B3-U0-G3	B4-U0-G3	B5-U0-G3
GC2 (1A Max)	96G	750	226	28,300	125	B3-U0-G3	B4-U0-G4	B4-U0-G4	B5-U0-G3
		800	242	29,800	123	B3-U0-G3	B4-U0-G4	B4-U0-G3	B5-U0-G3
		900	273	32,700	120	B3-U0-G4	B4-U0-G4	B4-U0-G4	B5-U0-G3
		975	289	34,100	118	B3-U0-G4	B4-U0-G4	B4-U0-G4	B5-U0-G4
		1A	310	35,800	115	B4-U0-G4	B4-U0-G4	B4-U0-G4	B5-U0-G4

Notes:

1 Normal tolerance ± 10% due to factors including distribution type, LED bin variance, and ambient temperatures.