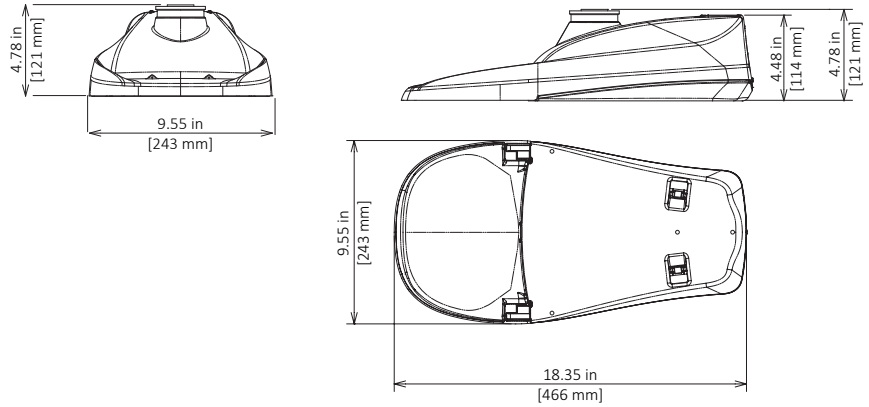


# ComfortView™ Neighborhood LED Street Light (CV)

## Luminaire Data

**Weight** 8lbs [3.6kg]  
**EPA** 0.39 ft<sup>2</sup>



## Ordering Information

Sample Catalog No. CV1-H-MV-40K-2R-GY-045-FOC

Product	LED Code	Voltage	Color Temperature	Distribution	Finish <sup>1</sup>	Output Code <sup>2</sup>	Options
<b>CV1</b>	<b>H</b>	<b>MV</b> 120-277V <b>HV</b> 347-480V	<b>27K</b> 2700K <b>30K</b> 3000K <b>40K</b> 4000K	<b>2R</b> Type 2 <b>3R</b> Type 3	<b>GY</b> Gray <b>DB</b> Dark Bronze <b>BK</b> Black	<b>025</b> <b>030</b> <b>035</b> <b>040</b> <b>045</b> <b>050</b> <b>055</b> <b>060</b> <b>070</b> <b>075</b> <b>080</b>	<b>FOC</b> <sup>3</sup> Fixed Output Code <b>LPCR</b> Less Photocontrol Receptacle <b>PCR7</b> <sup>4</sup> ANSI 7-wire Photocontrol Receptacle <b>PCR7-CR</b> <sup>5</sup> Control Ready 7-wire PC Receptacle <b>WL</b> Utility Wattage Label <b>4B</b> 4-Bolt Mounting Bracket <b>RWG</b> Rubber Wildlife Guard <b>SWTB</b> Straight Wire Terminal Block <b>BBL</b> Bubble Level <b>CF</b> <sup>6</sup> Coastal Paint Finish

### Notes:

- 1 Gray, Black, and Dark Bronze standard. Consult factory for other finishes.
- 2 Specified output code is the factory set lumen performance. Field adjustable is standard via an eight-position output selector. Refer to output data table on this spec sheet. An illustration of the output selector and its label is shown on page 2. Consult factory if special output setting is required.
- 3 Non-field adjustable, fixed lumen output. Specify required output code. Not available with PCR7-CR option.
- 4 Includes output selector that enables field adjustability of light levels. Includes connectors to allow easy upgrade of wireless dimming via PCR7. Wireless node by others.
- 5 Control-ready wired at factory for wireless node dimming (node by others). Output selector not included in the fixture. Not able to adjust above specified drive current.
- 6 Specify the CF Option for coastal installation. See warranty for details.
- 7 Flush mounted Cul-de-Sac Shield cuts light off at 1 times the mounting height behind the luminaire, 1¼ in front, and 2¼ times the mounting height laterally.
- 8 Flush mounted Front Side Shield cuts light off at approximately 1½ times the mounting height in front of the luminaire (street side) and 2¼ times the mounting height laterally.
- 9 Flush mounted House Side Shield cuts light off at 1 times the mounting height behind the luminaire and 2¼ times the mounting height laterally.
- 10 80 Degree Cutoff Shield mitigates high angle glare above 80 degrees from nadir and cuts light off at 1½ times the mounting height behind and 2½ times the mounting height laterally.
- 11 Specify Color (GY, DB, BK)
- 12 Specify MV (120-277V) or HV (347-480V).

### Accessories\*

<b>CSSCV</b> <sup>7</sup>	Cul-De-Sac Side Shield, Snap-On*
<b>FSSCV</b> <sup>8</sup>	Front Side Shield, Snap-On*
<b>HSSCV</b> <sup>9</sup>	House Side Shield, Snap-On*
<b>VHCS</b> <sup>10</sup>	80 Degree Cutoff Shield, Grey*
<b>PTB</b> <sup>11</sup>	Pole Top Tenon Horizontal Arm Bracket
<b>PTB2</b> <sup>11</sup>	Pole Top Tenon Horizontal Arm Bracket (2@180°)
<b>RPB</b> <sup>11</sup>	Round Pole Horizontal Arm Bracket
<b>SPB</b> <sup>11</sup>	Square Pole Horizontal Arm Bracket
<b>WB</b> <sup>11</sup>	Wall Horizontal Arm Bracket
<b>LLPC</b> <sup>12</sup>	Long-Life Twist Lock Photocontrol
<b>SC</b>	Twist Lock Shorting Cap
<b>BSK</b>	Bird Deterrent Spider Kit

\*Accessories are ordered separately and not to be included in the catalog number. For factory installed HSSCV, CSSCV, FSSCV and VHCS specify as option in luminaire catalog number. HSSCV, CSSCV, FSSCV can be installed without a tool, but a tool is required for removal. 80 Degree Cutoff Shield (VHCS) requires a Phillips head screwdriver for installation.

## Luminaire Specifications

### Housing

Die cast aluminum housing with universal two-bolt slip fitter mounts to 1-1/4" to 2" (1-5/8" to 2-3/8" O.D.) diameter mast arm. One-piece aluminum housing provides passive heat-sinking of the LEDs and has upper surfaces that shed precipitation. Four-bolt mounting bracket (4B option) is available. Mounting provisions meet 3G vibration per ANSI C136.31-2010 Normal Application, Bridge & Overpass by independent lab. Mounting has leveling adjustment from ± 5° in 2.5° steps. All hardware is stainless steel. Electrical components are accessed without tools via die cast aluminum door with stainless steel quick release latches. Provided standard with removable polycarbonate wild life guard. For additional protection, optional rubber wildlife guard (RWG) which conforms snugly to the mast arm is offered.

### Light Emitting Diodes

Hi-flux/Hi-power white LEDs produce a minimum of 90% of initial intensity at 100,000 hours of life based on IES TM-21 (L90 ≥ 100k hours). LEDs are tested in accordance with IES LM-80 testing procedures. LEDs have correlated color temperature of 2700 (27K), 3000 (30K), 4000 (40K), and 70 CRI minimum. LEDs are 100% mercury and lead free.

### Field Adjustability

LED lumen output can be changed in the field to adjust light output for local conditions (not available with PCR7-CR option). The specified output code will be the factory set output. Field adjustments can be made with the output selector included in the fixture. Field adjustable range shown in performance data table.

### Quality Control

Every luminaire is performance tested before and after a 2-hour burn-in period. Assembled in the USA.

### Optical Systems

Two-stage reflective optics produce IESNA Type 2 or Type 3 distributions and are fully sealed to maintain an IP66 rating. Luminaire produces 0% total lumens above 90° (BUG Rating, U=0). Optional house side shield cuts light off at 1/2 mounting height behind luminaire. Cul-de-sac shield provides back and side light control for end of cul-de-sac applications. Front side shield cuts light off at approximately one mounting height in front of luminaire (street side). 80 degree cutoff shield eliminates very high angle glare above 80 degrees from nadir. All shields are field installable without tools.

### Electrical

Rated life of electrical components is 100,000 hours. Uses isolated power supply that is 1-10V dimmable. Power supply is wired with quick-disconnect terminals. Power supply features a minimum power factor of .90 and <20% Total Harmonic Distortion (THD). EMC meets or exceeds FCC CFR Part 15. Terminal block accommodates 6 to 14 gauge wire. Surge protection complies with IEEE/ANSI C62.41 Category C High, 20kV/10kA and ANSI C136.2-2015, 20kV/10kA.

### Controls

3-Wire photocontrol receptacle is standard. ANSI C136.41 7-wire (PCR7) photocontrol receptacles is available. All photocontrol receptacles have a tool-less rotatable base. Wireless control module is provided by others.

### Finish

Housing receives a durable, fade-resistant polyester powder coat finish with 3.0 mil nominal thickness. Standard finish tested to withstand 5000 hours in salt spray exposure per ASTM B117 and Coastal Finish per ASTM G85. Finish meets scribe creepage rating 8 per ASTM D1654. Finish tested 500 hours in UV exposure per ASTM G154 and meets ASTM D523 gloss retention.

### Listings/Ratings/Labels

Luminaires are UL listed for use in wet locations in the United States and Canada. International Dark Sky Association listed. 2700 and 3000K ComfortView fixtures are certified as Community Friendly Lighting Equipment by the Smart Outdoor Lighting Alliance (SOLA). Luminaire is qualified to operate at ambient temperatures of -40°C to 40°C.

### Photometry

Luminaires photometrics are tested by certified independent testing laboratories in accordance with IES LM-79 testing procedures.

### Warranty

10-year limited warranty is standard on luminaire and components.

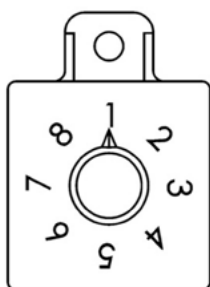
### Vandal Resistance

Housing and optics rated to IK10

### Standards

Luminaire complies with:  
**ANSI:** C136.2, C136.3, C136.10, C136.13, C136.15, C136.22, C136.31, C136.35, C136.37, C136.41, C62.41, C78.377, C82.77  
**Other:** FCC 47 CFR, IEC 60598, ROHS II, UL 1449, UL 1598

## Example of ComfortView™ Output Selector and Label:



W	Est lm
1	: 66 / 7000
2	: 48 / 5500
3	: 43 / 5000
4	: 38 / 4500
5	: 34 / 4000
6	: 29 / 3500
7	: 24 / 3000
8	: 19 / 2500

**Performance Data<sup>1</sup>**

All data nominal. IES files for all CCTs available at leotek.com.

Product	Color Temperature (CCT)	Output Code	Drive Current (mA)	System Wattage (W)	Delivered Lumens (Lm) <sup>2</sup>	Efficacy (Lm/W)	Field Adjustable Output Range
CV1-H	2700K (27K)	025	190	19	2242	118	↑ ↓
		030	250	24	2892	120	
		035	300	29	3463	119	
		040	350	34	4163	122	
		045	400	38	4535	119	
		050	460	43	4998	116	
		055	520	48	5479	114	
		070	700	66	7220	110	
	3000K (30K)	025	190	19	2412	127	↑ ↓
		030	250	24	3073	128	
		035	300	29	3676	127	
		045	350	35	4423	128	
		050	400	38	4777	126	
		055	460	45	5561	124	
		060	520	49	5800	118	
		075	700	67	7722	115	
	4000K (40K)	025	190	19	2675	139	↑ ↓
		035	250	24	3294	137	
		040	300	29	3930	136	
		045	350	34	4561	134	
		050	400	38	5059	133	
		055	460	43	5594	130	
		060	520	48	6147	128	
		080	700	67	8227	123	

Notes:

1 Data shown above is for type 2 optic. For type 3 optic, consult IES files for specific data at Leotek.com

2 Nominal lumens. Normal tolerance ± 10% due to factors including LED bin variance, and ambient temperatures.

**BUG Ratings**

All data nominal. IES files for all CCTs available at leotek.com.

Product	Color Temperature (CCT)	Output Code	Drive Current (mA)	Type 2	Type 3
				BUG Rating	BUG Rating
CV1-H	2700K (27K)	025	190	B1-U0-G1	B1-U0-G1
		030	250	B1-U0-G1	B1-U0-G1
		035	300	B1-U0-G1	B1-U0-G1
		040	350	B1-U0-G1	B1-U0-G1
		045	400	B1-U0-G1	B2-U0-G1
		050	460	B1-U0-G1	B2-U0-G1
		055	520	B1-U0-G1	B2-U0-G1
		070	700	B2-U0-G1	B2-U0-G2
	3000K (30K)	025	190	B1-U0-G1	B1-U0-G1
		030	250	B1-U0-G1	B1-U0-G1
		035	300	B1-U0-G1	B1-U0-G1
		045	350	B1-U0-G1	B1-U0-G1
		050	400	B1-U0-G1	B2-U0-G1
		055	460	B1-U0-G1	B1-U0-G1
		060	520	B1-U0-G1	B2-U0-G1
		075	700	B2-U0-G1	B2-U0-G2
	4000K (40K)	025	190	B1-U0-G1	B1-U0-G1
		035	250	B1-U0-G1	B1-U0-G1
		040	300	B1-U0-G1	B1-U0-G1
		045	350	B1-U0-G1	B2-U0-G1
		050	400	B1-U0-G1	B2-U0-G1
		055	460	B1-U0-G1	B2-U0-G1
		060	520	B2-U0-G1	B2-U0-G1
		080	700	B2-U0-G1	B3-U0-G2