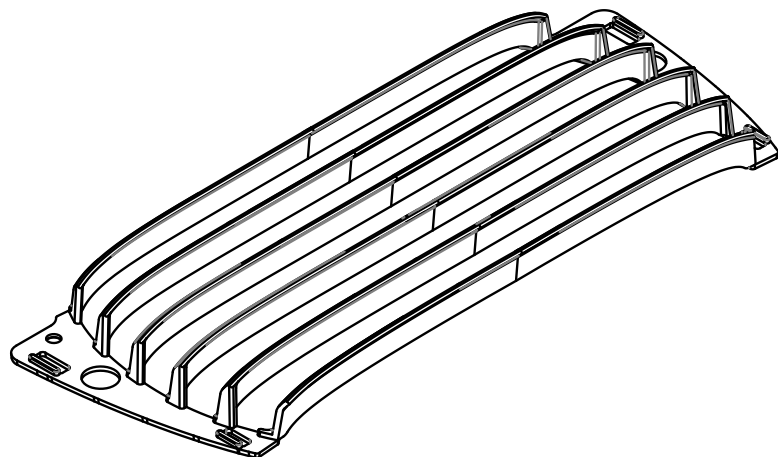


## ComfortView Front Side (FSS) Snap-on Assembly



**NOTES:**

- Color: Black
- Meets ROHS standard
- Meets UL94 5VA Flammability Standard
- Slots on edge of shield easily snap into place on clips at edge of light engine
- Snap-on installation without tools.
- Flush mounted House Side Shield cuts light off at 1 the mounting height behind the luminaire and 2¼ times the mounting height laterally.

**LEOTEK**<sup>®</sup>  
LITE-ON GROUP

---

ComfortView™ House Side Shield (HSSCV1)

---

LEOTEK ELECTRONICS USA, LLC  
1955 LUNDY AVENUE  
SAN JOSE, CA 95131  
PHONE: (408) 380-1788  
FAX: (408) 518-8128

Model No	Model Name
HSSCV1	ComfortView™ House Side Shield



**Easy Snap-on Installation:**

- Each shield, regardless of type, has slots for securing the clips along both edges of the ComfortView light engine cover.
- Align the slots with the corresponding clips along the edges of the ComfortView Light Engine.
- Place the shield so that the slots align with the clips along the edge of the ComfortView Light Engine, then simply push the edges of the shield down to clip it into place.

	
ComfortView™ House Side Shield (HSSCV1)	
LEOTEK ELECTRONICS USA, LLC 1955 LUNDY AVENUE SAN JOSE, CA 95131 PHONE: (408) 380-1788 FAX: (408) 518-8128	

Model No	Model Name
HSSCV1	ComfortView™ House Side Shield