



VersaTEK Large LED Flood, Site & Area, OFF-Roadway Series Installation Guide

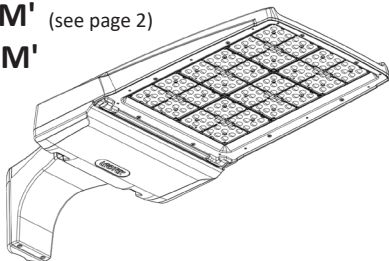
This procedure is designed as an installation aid. Skilled and qualified tradespeople that are familiar with general construction and electrical installation techniques should perform the installation. Licensed electricians should provide electrical installation connections. This luminaire must be installed in accordance with the NEC or per your local electrical code(s) and/or requirements. If you are not familiar with these codes and requirements, please consult a qualified electrician. In no way is this document intended to construe warranty or fitness of use of the products described, nor is it intended to provide safety instruction for those installing the product.

WARNING

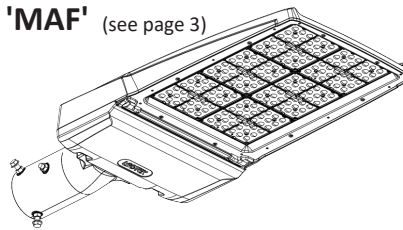
Before proceeding with installation or service maintenance of this product:

- Disconnect power to reduce electrical shock risk.
- Review the entire Installation Guide.
- Inspect this properly packaged product for any damage that may have occurred during transit.
- Verify product application complies with manufacturer design recommendations.
- Verify the availability of necessary tools and incidental material.
- Verify applicable code requirements. Field assembly, installation and wiring are subject to acceptance by local inspection authority.
- Appropriate safety equipment to be determined by end user, per applicable safety standards and precautions.

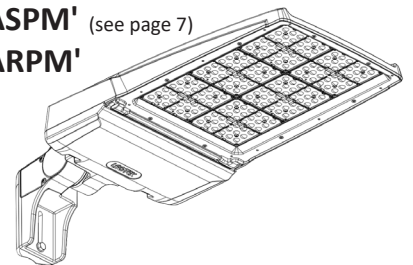
'SPM' (see page 2)
'RPM'



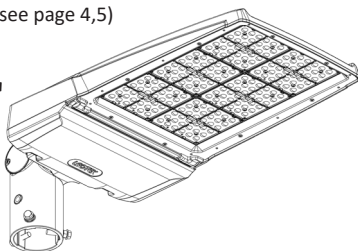
'MAF' (see page 3)



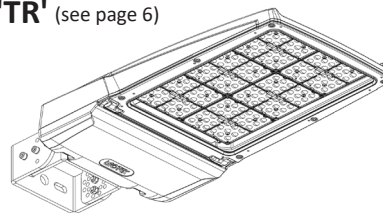
'ASPM' (see page 7)
'ARPM'



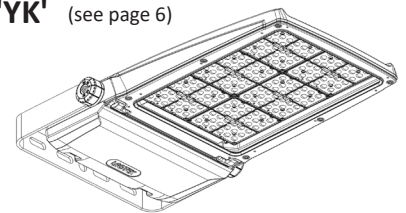
'SF' (see page 4,5)
'SFC'
'SFH'



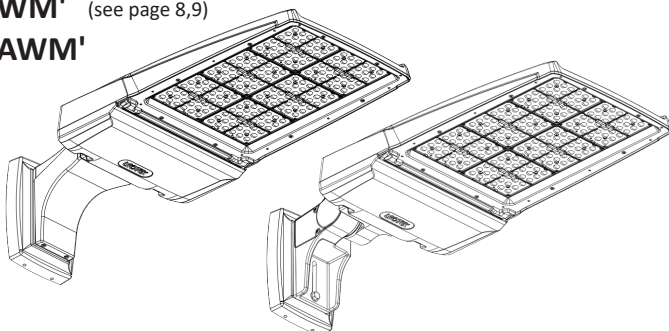
'TR' (see page 6)



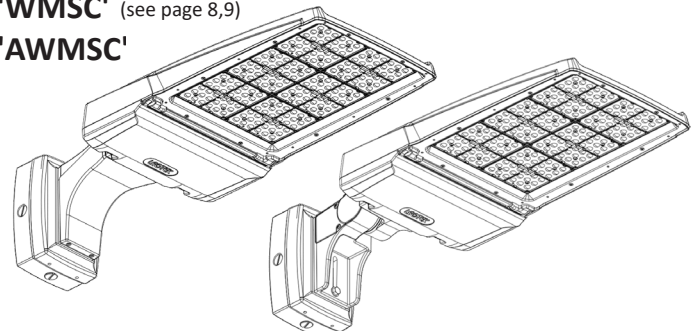
'YK' (see page 6)



'WM' (see page 8,9)
'AWM'



'WMSC' (see page 8,9)
'AWMSC'

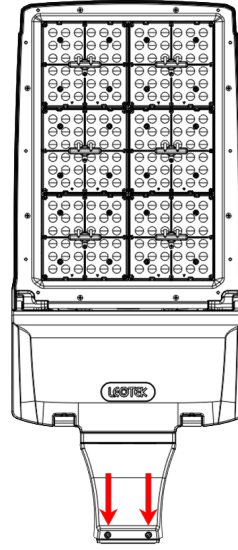


'SPM'/'RPM' Universal Square & Round Pole Arm Mount Installation Instructions

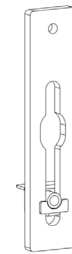
Tools Required: 9/16" Socket Wrench, Phillips-Head Screwdriver

Minimum Square Pole: 4.0" Face Minimum Round Pole: 3.0" Diameter

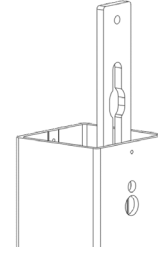
1. Ensure the pole is drilled for a 5.25" bolt pattern or shorter and remove the pole-top cap/cover.
2. Remove arm splice cover (Fig 1) via two Phillips captive screws to access the wiring and arm to pole arm mount chamber.
3. Install the supplied Pole Arm Backplate (Fig 2) inside the pole (Fig 2a) by aligning the top hole to the pole's top mounting hole and threading the first of two supplied 3/8" bolts by hand (Fig 2b). **DO NOT TIGHTEN FULLY AT THIS TIME.**
4. The Backplate includes a sliding Cage Nut for the second mounting bolt. Be sure to slide the Cage Nut at this time and align it to the pole's second/lower mounting hole required for final luminaire installation.
5. If installing to a round pole, the 'RPM' includes a Round Pole Adaptor that should be hung on the top bolt at this time via the adaptor's key-hole slot design (Fig 2c), with the curved side facing the round pole.



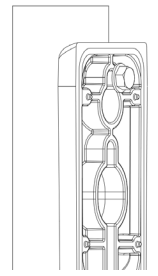
(Fig 1)



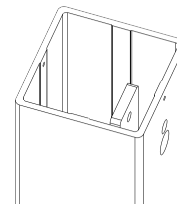
(Fig 2)



(Fig 2a)



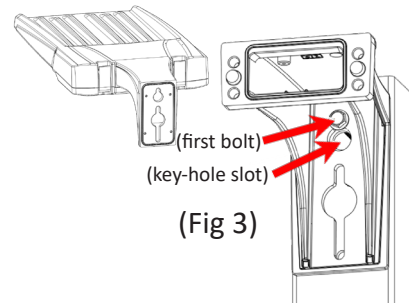
(Fig 2c)



(Fig 2b)

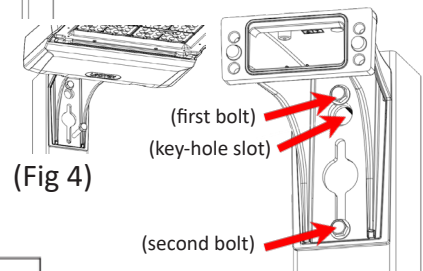
6. Next, hang the VersaTEK luminaire via the pole arm mount's key-hole slot design onto the top bolt (Fig 3) per Step 3.

WARNING: THE LUMINAIRE IS NOT COMPLETELY INSTALLED AT THIS TIME. SPECIAL CARE MUST BE TAKEN TO ENSURE THE TOP BOLT IS THREADED ENOUGH TO HANG THE LUMINAIRE AND SPECIAL CARE MUST BE TAKEN TO AVOID JARRING THE LUMINAIRE FROM RESTING ON THE TOP BOLT DURING THE REMAINDER OF THE LUMINAIRE'S INSTALLATION.



(Fig 3)

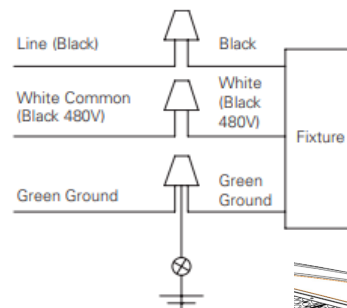
7. Next, thread the second supplied 3/8" bolt through the arm slot and pole and into the threaded cage nut (Fig 4) per Step 4. Ensure the luminaire is level before tightening both mounting bolts to 19 ft-lbs (26 N-m). An integral bubble-level is included inside the tool-free accessible driver/electrical compartment that is accessible via two thumb-pull latches.



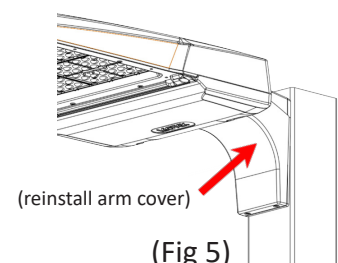
(Fig 4)

8. Route the supply leads into the arm through the center opening of the backplate, pole and arm and make wiring connections inside the arm's splice compartment. Connect the supply wires to the appropriate luminaire supply leads.

- Supply side ground wire to green luminaire lead.
- Supply side neutral wire to white luminaire lead.
- Supply side line voltage wire to black luminaire lead.



9. Reinstall the arm cover (Fig 5) removed per Step 1, tighten two captive Phillips screws to 0.9 ft-lbs (1.2 N-m). Take care to not overtighten screws which can cause stripping and void all warranties. Reinstall the pole-top cap/cover removed per Step 1.



(Fig 5)

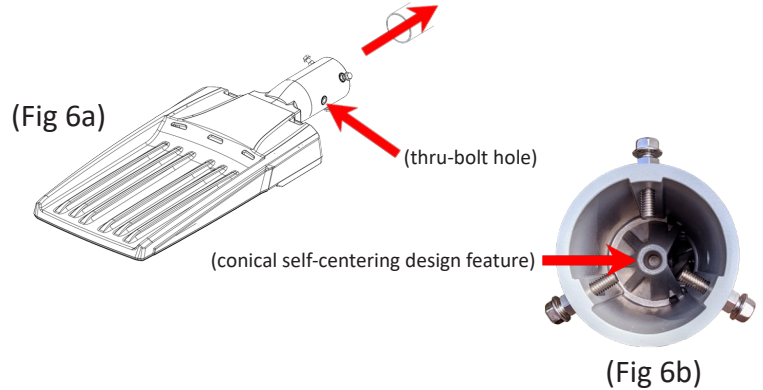
***NOTE: 'SPM' and 'RPM' pole arm mount options are pre-wired with the luminaire's supply wire leads routed inside the arm's UL recognized wiring/splice compartment (Fig 1). It is not necessary to open and access the fixture's driver/electrical compartment to install or wire the luminaire.**

'MAF' Mast Arm Fitter Installation Instructions

Tools Required: 9/16" Socket Wrench, 3/8" Combination Wrench

Minimum Tenon Diameter: 1-5/8" O.D. Maximum Tenon Diameter: 3" O.D.

1. Slip luminaire 'MAF' mount onto existing pole tenon/mast arm (by others) for drilling of thru-bolt holes (Fig 6a). Ensure the tenon butts up against the integral 'conical self-centering design feature' (Fig 6b) to help assist with centering and leveling to the tenon/mast arm.
DO NOT WIRE THE LUMINAIRE AT THIS TIME.

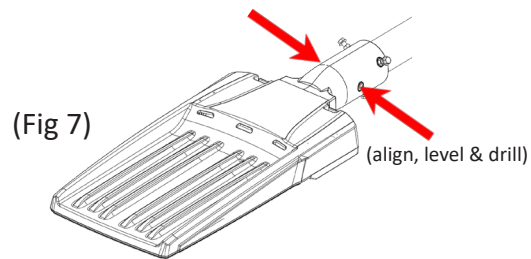


2. Use provided set-bolts (3) to secure the luminaire in the proper position to drill the 1/2" \varnothing thru-holes. Ensure the luminaire is level before drilling.

An integral bubble-level is included inside the tool-free accessible driver/electrical compartment that is accessible via two thumb-pull latches.

3. Use 'MAF' thru-bolt hole as a pilot guide and drill 1/2" \varnothing thru-holes on tenon/mast arm on both sides (Fig 7).

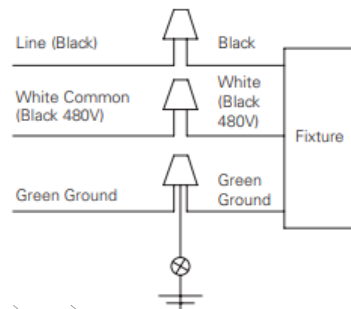
WARNING: ENSURE NO WIRES ARE AT RISK OF BEING DAMAGED WHEN DRILLING THRU-HOLE.



CAUTION: THE REMAINING INSTALLATION STEPS WILL REQUIRE THE ASSISTANCE OF A SECOND INSTALLER FOR WIRING & FINAL INSTALLATION

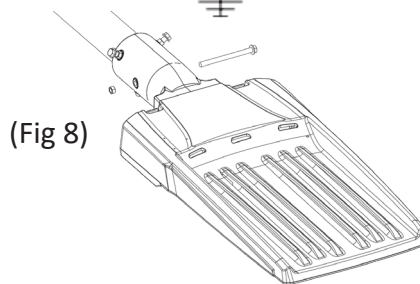
4. With the assistance of a second installer, Remove the luminaire from the tenon/mast arm to make wiring connections. Connect the supply wires to the appropriate luminaire supply leads.

- Supply side ground wire to green luminaire lead.
- Supply side neutral wire to white luminaire lead.
- Supply side line voltage wire to black luminaire lead.



5. Carefully tuck the wire connections inside the tenon/mast arm and reinstall the luminaire to the proper position on the tenon/mast arm. Ensure the tenon/mast arm thru-bolt hole is aligned and install the provided 3/8"-16 x 4.9" thru-bolt into the 1/2" \varnothing drilled thru-hole and place the 3/8" nut (Fig 8) onto bolt and tighten securely to 19 ft-lbs (26 N-m).

WARNING: ENSURE NO WIRES ARE AT RISK OF BEING PINCHED OR DAMAGED WHEN INSTALLING THRU-BOLT.



6. Complete installation by evenly tightening the (3) supplied 3/8"-16 UNC set-bolts to 19 ft-lbs (26 N-m). Take care to ensure the luminaire remains both level and centered to the tenon/mast arm while tightening.

WARNING: USE OF AND PROPER TIGHTENING OF THRU-BOLT/NUT AND OF THE (3) SET-BOLTS IS THE RESPONSIBILITY OF THE INSTALLING CONTRACTOR. FAILURE TO INSTALL PER THE INSTALLATION GUIDE COULD RESULT IN SERIOUS INJURY OR PROPERTY DAMAGE.

'SF' Slipfitter Mount #1 Installation Instructions*

Tools Required: 9/16" Socket Wrench, 3/8" Combination Wrench, Phillips-Head Screwdriver

Minimum Tenon Diameter: 1-5/8" O.D. Maximum Tenon Diameter: 3" O.D.

***NOTE:** This 'SF' Slipfitter luminaire mounting option is pre-wired with the luminaire's supply wire leads routed inside the Slipfitter's UL recognized wiring/splice compartment (Fig 9). It is not necessary to open and access the fixture's driver/electrical compartment to install or wire the luminaire. WAGOs are supplied for added ease of installation.

1. Remove the splice access cover via (2) captive Phillips screws from the 'SF' mount and pull the luminaire's supply wire leads from the wiring/splice compartment (Fig 10).

2. Route the supply leads into the 'SF' and feed the wires through the wiring/splice compartment's access channel and pull the supply wires from the wiring/splice compartment.

3. Connect the supply wires to the appropriate luminaire supply leads per Step 1 with the supplied WAGOs.

- Supply side ground wire to green luminaire lead.
- Supply side neutral wire to white luminaire lead.
- Supply side line voltage wire to black luminaire lead.

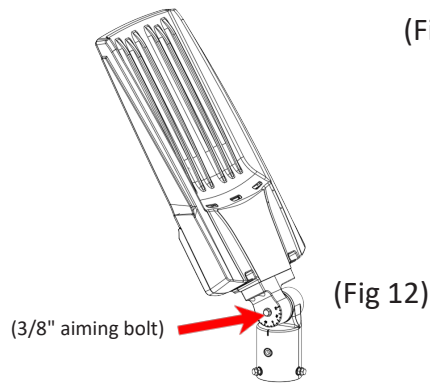
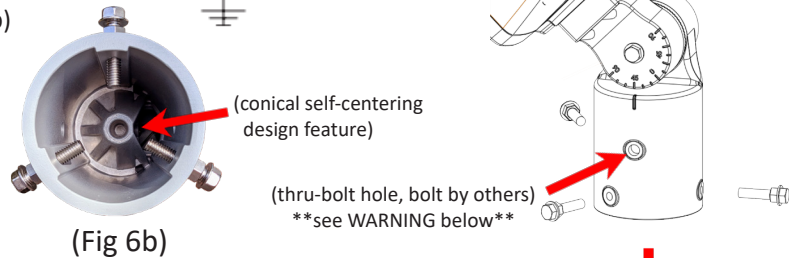
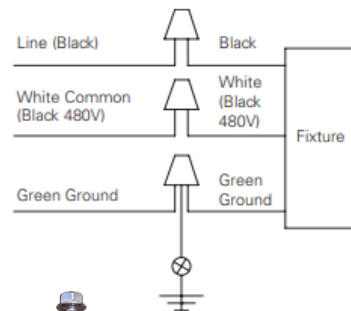
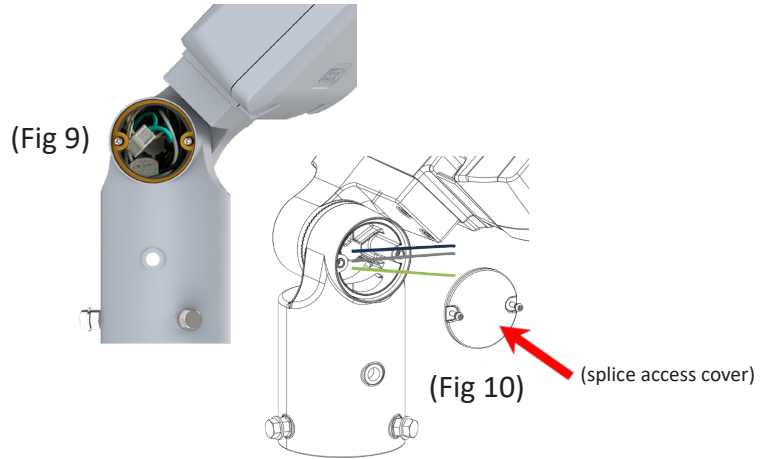
4. Install the 'SF' mount luminaire mount (Fig 11) onto the existing tenon (by others) by evenly tightening the (3) supplied 3/8"-16 UNC set-bolts to 19 ft-lbs (26 N-m). Ensure the tenon butts up against the integral 'conical self-centering design feature' (Fig 6b) to help assist with centering and leveling to the tenon.

5. Feed the wires as needed into the access channel and carefully push and tuck the wired connections back inside the wiring/splice compartment. Reinstall the splice access cover removed per Step 1.

6. Loosen the 3/8" Slipfitter aiming bolt (Fig 12) and tilt/aim the fixture as required per the project's lighting design or spec. Take special care to loosen the bolt just enough to tilt/aim the housing without backing out the bolt completely. Retighten the aiming bolt to 19 ft-lbs (26 N-m).

NOTE: WHEN ADJUSTING THE TILT OF THE 'SF' MOUNT, TAKE SPECIAL CARE TO SUPPORT THE HOUSING'S WEIGHT WHEN LOOSENING AIMING BOLTS.

7. For units with a photocontrol receptacle, aiming must be restricted to $\pm 45^\circ$ from horizontal aim per ANSI C136.10-2010.



WARNING: DO NOT INSTALL ANY SLIPFITTER TO ANY TENON OR BRACKET THAT IS MORE THAN 5 DEGREES FROM VERTICAL WITHOUT THE USE OF A PROPERLY INSTALLED AND TIGHTENED THRU-BOLT AND NUT. INSTALLING TO ANYTHING GREATER THAN 5 DEGREES FROM VERTICAL, INCLUDING ANY HORIZONTAL TENON OR MAST ARM REQUIRES THE USE OF A THRU-BOLT AND NUT (NOT INCLUDED, PROVIDED BY OTHERS). SEE MAST ARM FITTER THRU-BOLT INSTALLATION ON PAGE 3 FOR COMPLETE DETAILS. USE OF AND PROPER TIGHTENING OF THRU-BOLT/NUT AND OF THE (3) SET-BOLTS IS THE RESPONSIBILITY OF THE INSTALLING CONTRACTOR. FAILURE TO INSTALL PER THE INSTALLATION GUIDE COULD RESULT IN SERIOUS INJURY OR PROPERTY DAMAGE.

'SFC' Slipfitter Mount #2 & 'SFH' Slipfitter Mount #3 Installation Instructions*

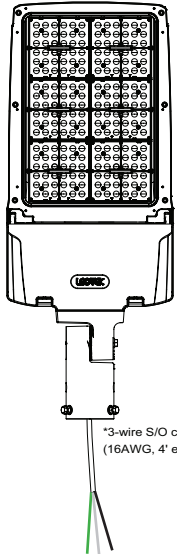
Tools Required: 9/16" Socket Wrench, 3/8" Combination Wrench

Minimum Tenon Diameter: 1-5/8" O.D. Maximum Tenon Diameter: 3" O.D.

***NOTE:** 'SFC' & 'SFH' Slipfitter mounting options are pre-wired with a UL listed wet location S/O cord and cord fittings exiting the luminaire. It is not necessary to open and access the fixture's driver/electrical compartment to install or wire the luminaire.

'SFC' Slipfitter #2*

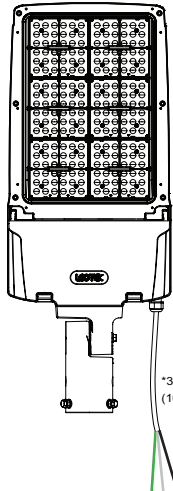
(w/ 3-wire S/O Cord Center Fitter Exit)



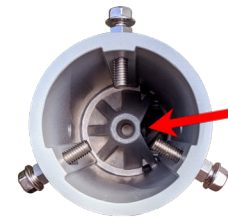
*3-wire S/O cord exits center of slipfitter (16AWG, 4' exit length)

'SFH' Slipfitter #3*

(w/ 3-wire S/O Cord Bottom Housing Exit)

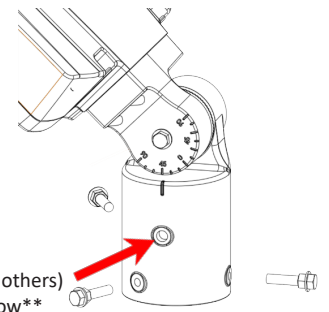


*3-wire S/O cord exits housing bottom (16AWG, 4' exit length)



(conical self-centering design feature)

(Fig 6b)

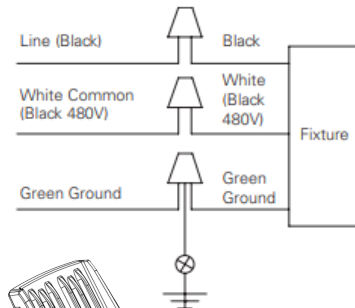


(thru-bolt hole, bolt by others)
see WARNING below

(Fig 11)



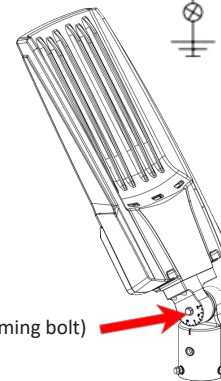
1. Install the 'SFC' or 'SFH' mount luminaire mount (Fig 11) onto the existing tenon (by others) by evenly tightening the (3) supplied 3/8"-16 UNC set-bolts to 19 ft-lbs (26 N-m). Ensure the tenon butts up against the integral 'conical self-centering design feature' (Fig 6b) to help assist with centering and leveling to the tenon.
2. Route the supplied S/O cord to an appropriate outdoor rated junction box (by others) or in accordance with the NEC or per your local electrical code(s) and/or requirements. Connect the supply wires to the S/O cord's appropriate luminaire supply leads.
 - Supply side ground wire to green luminaire lead.
 - Supply side neutral wire to white luminaire lead.
 - Supply side line voltage wire to black luminaire lead.



3. Loosen the 3/8" Slipfitter aiming bolt (Fig 12) and tilt/aim the fixture as required per the project's lighting design or spec. Take special care to loosen the bolt just enough to tilt/aim the housing without backing out the bolt completely. Retighten the aiming bolt to 19 ft-lbs (26 N-m).

NOTE: WHEN ADJUSTING THE TILT OF THE 'SFC' OR 'SFH' MOUNTS, TAKE SPECIAL CARE TO SUPPORT THE HOUSING'S WEIGHT WHEN LOOSENING AIMING BOLTS.

4. For units with a photocontrol receptacle, aiming must be restricted to $\pm 45^\circ$ from horizontal aim per ANSI C136.10-2010.



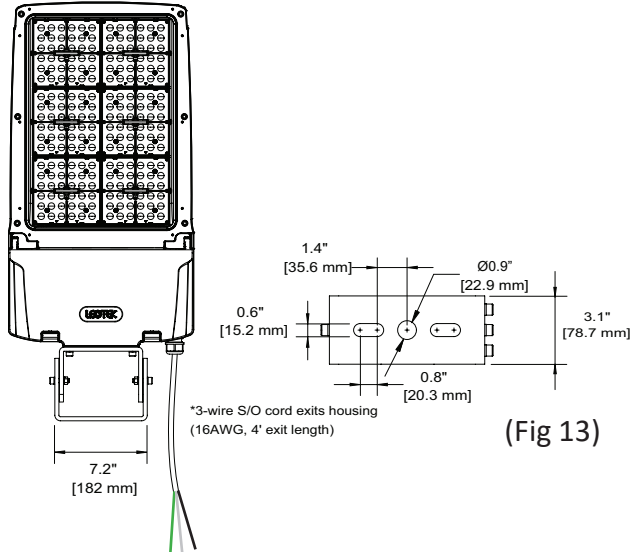
(3/8" aiming bolt) (Fig 12)

WARNING: DO NOT INSTALL ANY SLIPFITTER TO ANY TENON OR BRACKET THAT IS MORE THAN 5 DEGREES FROM VERTICAL WITHOUT THE USE OF A PROPERLY INSTALLED AND TIGHTENED THRU-BOLT AND NUT. INSTALLING TO ANYTHING GREATER THAN 5 DEGREES FROM VERTICAL, INCLUDING ANY HORIZONTAL TENON OR MAST ARM REQUIRES THE USE OF A THRU-BOLT AND NUT (NOT INCLUDED, PROVIDED BY OTHERS). SEE MAST ARM FITTER THRU-BOLT INSTALLATION ON PAGE 3 FOR COMPLETE DETAILS. USE OF AND PROPER TIGHTENING OF THRU-BOLT/NUT AND OF THE (3) SET-BOLTS IS THE RESPONSIBILITY OF THE INSTALLING CONTRACTOR. FAILURE TO INSTALL PER THE INSTALLATION GUIDE COULD RESULT IN SERIOUS INJURY OR PROPERTY DAMAGE.

'TR' Trunnion Mount & 'YK' Yoke Mount Installation Instructions*

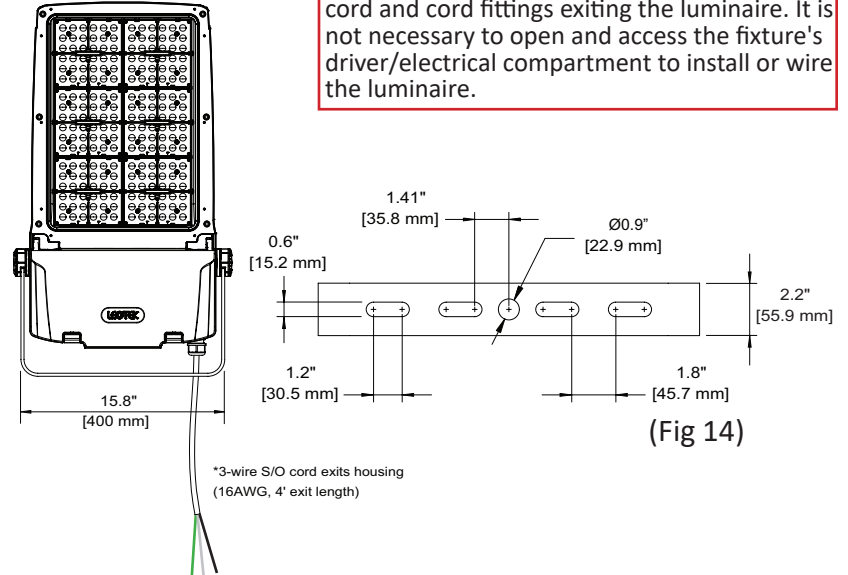
Tools Required: 6mm Allen Wrench, 14mm Socket Wrench or 14mm Combination Wrench ('TR' only)

'TR' Trunnion Mount*



(Fig 13)

'YK' Yoke Mount*



(Fig 14)

***NOTE:** 'TR' & 'YK' Slipfitter mounting options are pre-wired with a UL listed wet location S/O cord and cord fittings exiting the luminaire. It is not necessary to open and access the fixture's driver/electrical compartment to install or wire the luminaire.

1. Install and orient the 'TR' or 'YK' mount as required per the project's lighting design or spec to the surface, structure, bracket, etc. with a minimum of two 1/2" bolts and required lock washer and nut hardware (not included, provided by others) or existing studs. Refer to (Fig 13 & Fig 14) for mounting hole locations and dimensions. Evenly tighten installation hardware to 30-35 ft-lbs (41-48 N-m).

NOTE: Ø0.9" [Ø22.9MM] CENTER HOLE CAN BE USED FOR INSTALLATION, BUT NOT EXCLUSIVELY WITHOUT A SECOND MOUNTING POINT.

2. Route the supplied S/O cord to an appropriate outdoor rated junction box (by others) or in accordance with the NEC or per your local electrical code(s) and/or requirements. Connect the supply wires to the S/O cord's appropriate luminaire supply leads.

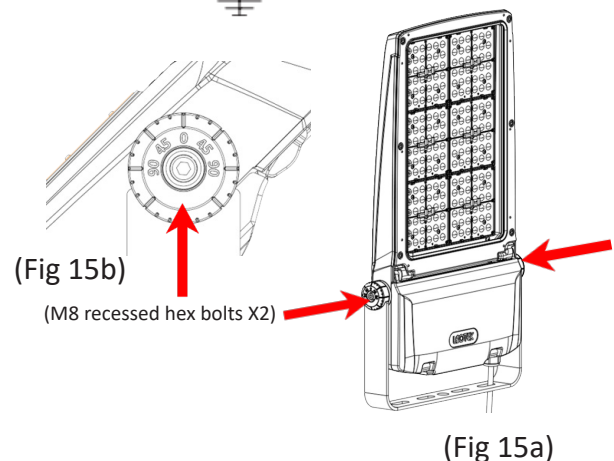
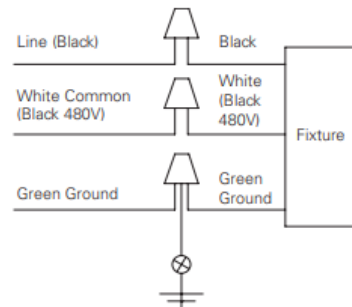
- Supply side ground wire to green luminaire lead.
- Supply side neutral wire to white luminaire lead.
- Supply side line voltage wire to black luminaire lead.

3. To tilt/aim a 'YK' mount luminaire, loosen both M8 recessed hex bolts (Fig 15a) with a 6mm allen wrench and tilt/aim as required per the project's lighting design or spec. Take special care to loosen the bolts just enough to tilt/aim the housing without backing out the bolts completely (Fig 15b). Retighten both aiming bolts to 13 ft-lbs (18 N-m).

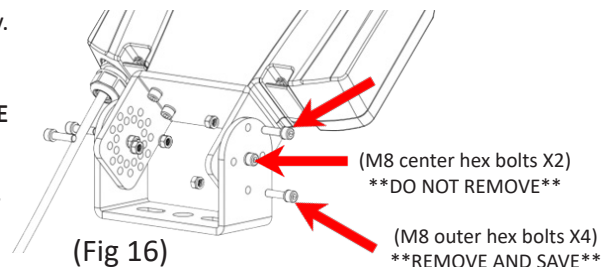
4. To tilt/aim a 'TR' mount luminaire, remove all four OUTER M8 hex bolts and nuts (Fig 16) with a 6mm allen wrench and set aside. Loosen the two center M8 hex bolts (Fig 16) to tilt/aim the housing as required per the project's lighting design or spec. Take special care to loosen the center bolt just enough to tilt/aim the housing without backing out the bolt completely. Align and reinstall the four outer bolts through the appropriate required pre-drilled aiming holes. Retighten all six aiming bolts to 13 ft-lbs (18 N-m).

NOTE: WHEN ADJUSTING THE TILT OF THE 'YK' OR 'TR', TAKE SPECIAL CARE TO SUPPORT THE HOUSING'S WEIGHT WHEN LOOSENING AIMING BOLTS.

5. For units with a photocontrol receptacle, aiming must be restricted to ± 45° from horizontal aim per ANSI C136.10-2010.



(Fig 15a)



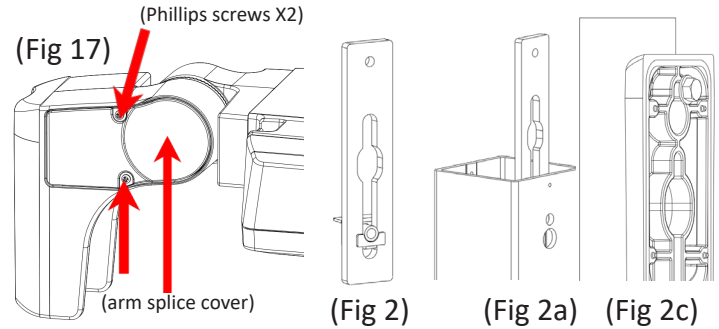
(Fig 16)

'ASPM'/'ARPM' Universal Adjustable Square & Round Pole Arm Mount Installation Instructions*

Tools Required: 9/16" Socket Wrench, Phillips-Head Screwdriver

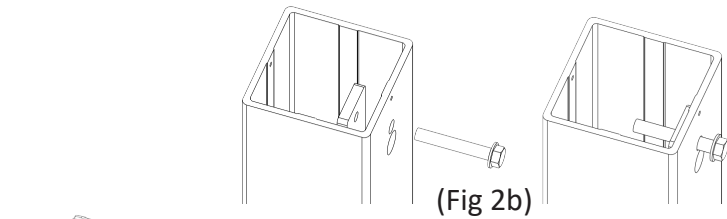
Minimum Square Pole: 4.0" Face Minimum Round Pole: 3.0" Diameter

1. Ensure the pole is drilled for a 5.25" bolt pattern or shorter and remove the pole-top cap/cover.
2. Remove adjustable arm splice cover (Fig 17) via (2) captive Phillips screws to access the wiring and arm to pole arm mount chamber.
3. Install the supplied Pole Arm Backplate (Fig 2) inside the pole (Fig 2a) by aligning the top hole to the pole's top mounting hole and threading the first of two supplied 3/8" bolts by hand (Fig 2b). **DO NOT TIGHTEN FULLY AT THIS TIME.**
4. The Backplate includes a sliding Cage Nut for the second mounting bolt. Be sure to slide the Cage Nut at this time and align it to the pole's second/lower mounting hole required for final installation.
5. If installing to a round pole, the 'ARPM' includes a Round Pole Adaptor that should be hung on the top bolt at this time via the key-hole slot design (Fig 2c), with curved side facing the round pole.

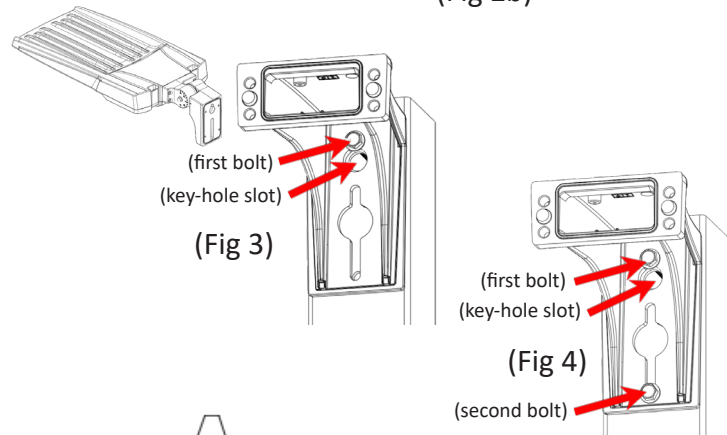


6. Next, hang the VersaTEK luminaire via the adjustable pole arm mount's key-hole slot design onto the top bolt (Fig 3) per Step 3.

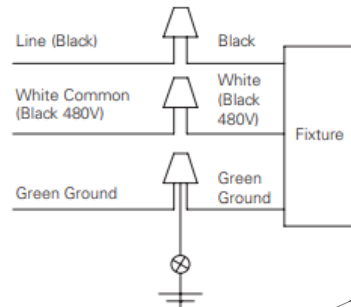
WARNING: THE LUMINAIRE IS NOT COMPLETELY INSTALLED AT THIS TIME. SPECIAL CARE MUST BE TAKEN TO ENSURE THE TOP BOLT IS THREADED ENOUGH TO HANG THE LUMINAIRE AND SPECIAL CARE MUST BE TAKEN TO AVOID JARRING THE LUMINAIRE FROM RESTING ON THE TOP BOLT DURING THE REMAINDER OF THE LUMINAIRE'S INSTALLATION.



7. Next, thread the second supplied 3/8" bolt through the arm slot and pole and into the threaded cage nut (Fig 4) per Step 4. Ensure the luminaire is level before tightening both mounting bolts to 19 ft-lbs (26 N-m). An integral bubble-level is included inside the tool-free accessible driver/electrical compartment that is accessible via two thumb-pull latches.

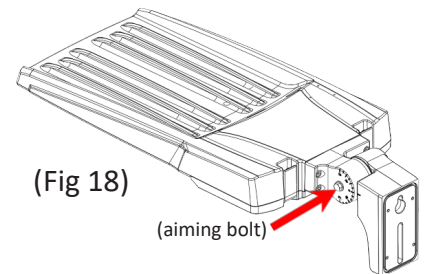


8. Route the supply leads into the adjustable arm's splice compartment through the center opening of the backplate, pole and into the adjustable arm and make the wiring connections. Connect the supply wires to the appropriate luminaire supply leads.
 - Supply side ground wire to green luminaire lead.
 - Supply side neutral wire to white luminaire lead.
 - Supply side line voltage wire to black luminaire lead.



9. To tilt/aim, loosen the 3/8" aiming bolt (Fig 18) and tilt/aim as required per the project's lighting design or spec. Take special care to loosen the aiming bolt just enough to tilt/aim the housing without backing out the aiming bolt completely (Fig 15b). Retighten the aiming bolt to 19 ft-lbs (26 N-m).

NOTE: WHEN ADJUSTING THE TILT OF THE 'ASPM' OR 'ARPM', TAKE SPECIAL CARE TO SUPPORT THE HOUSING'S WEIGHT WHEN LOOSENING AIMING BOLTS.



10. Carefully tuck wires inside and reinstall the arm splice cover (Fig 17) removed per Step 1, tighten the two captive Phillips screws to 0.9 ft-lbs (1.2 N-m). Take care to not overtighten screws which can cause stripping and void all warranties. Reinstall the pole-top cap/cover removed per Step 1.

11. For units with a photocontrol receptacle, aiming must be restricted to $\pm 45^\circ$ from horizontal aim per ANSI C136.10-2010.

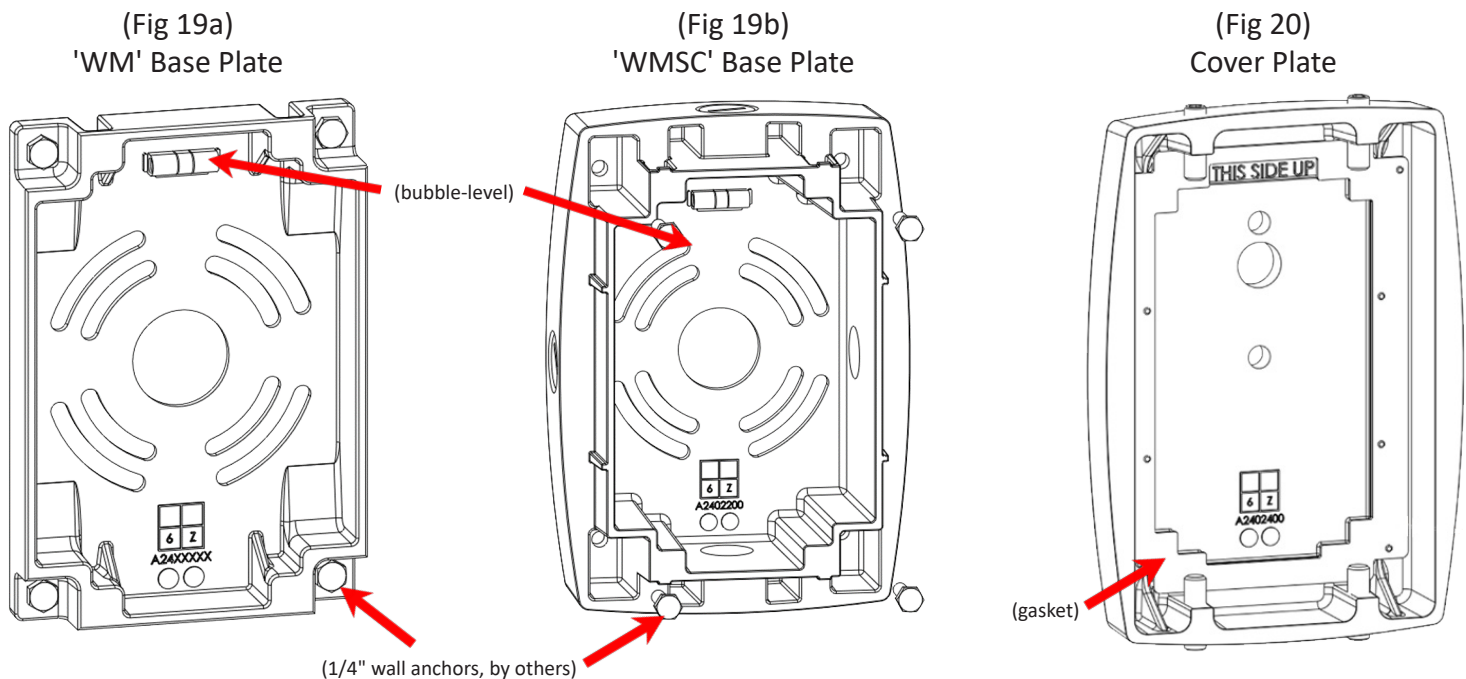
***NOTE: 'ASPM' and 'ARPM' adjustable arm mount options are pre-wired with the luminaire's supply wire leads routed inside the arm's UL recognized wiring/splice compartment (Fig 17). It is not necessary to open and access the fixture's driver/electrical compartment to install or wire the luminaire.**

'WM' Wall Mount and 'WMSC' Wall Mount w/ Surface Conduit J-Box Installation Instructions

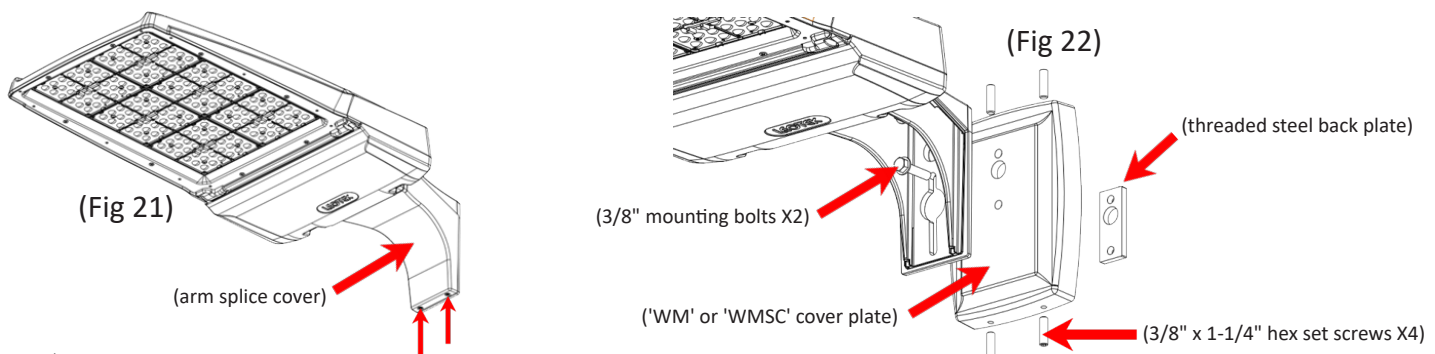
Tools Required: 9/16" Socket Wrench, 3/16" Allen Wrench, Phillips-Head Screwdriver, Flat-Head Screw Driver ('WMSC' only)

REQUIRED: IT IS THE RESPONSIBILITY OF THE INSTALLING CONTRACTOR TO APPLY A CONTINUOUS BEAD OF OUTDOOR RATED CAULKING BETWEEN THE INSTALLED WALL MOUNT AND MOUNTING SURFACE TO ENSURE WEATHER-TIGHT INTEGRITY OF ELECTRICAL COMPONENTS.

- Using the 'WM' or 'WMSC' base plate (Fig 19a) or (Fig 19b) as a template, secure the base plate to the wall/surface with (4) 1/4" diameter wall anchors (not included with luminaire, provided by others). 'WM' version is designed to install in front of a recessed junction box (by others). Installing contractor is responsible to use the appropriate wall anchors to support the weight of the luminaire. An integral bubble-level is located at the top of the base plate to ensure product is level before installing wall anchors. Base plate is not universal, be sure bubble-level is located/oriented at the TOP before securing wall anchors. For the 'WM' version, be sure to route supply wires from the recessed junction box through the center hole of the base plate before securing the base plate.
- 'WMSC' OPTION ONLY: After installing the 'WMSC' base plate, remove the required conduit plug or plugs from the base plate using a flat-head screwdriver. Feed in supply wires and attach the 3/4" NPT conduit pipe. Installing contractor is responsible to seal the conduit entry to ensure weather-tight integrity of electrical components.
- Prepare the cover plate for installation by ensuring the factory installed gasket (Fig 20) is properly installed to the backside of the cover plate. NOTE: For the next several steps, make sure 'THIS SIDE UP' of the cover plate faces upwards as required for installation.



- Remove luminaire's arm splice cover (Fig 21) via two Phillips captive screws to access the arm to wall mount and wiring chamber. Install the luminaire to the 'WM' or 'WMSC' cover plate by feeding the two supplied 3/8" mounting bolts through the arm and wall mount cover plate and thread into the supplied threaded steel back plate (Fig 22). Tighten both mounting bolts to 19 ft-lbs (26 N-m).

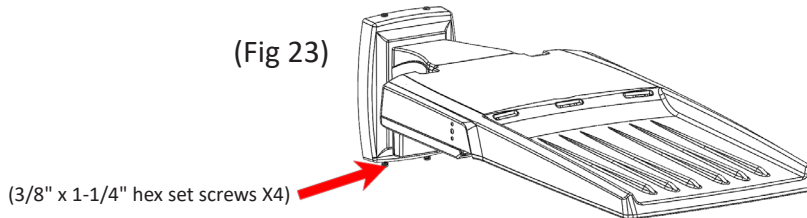


'WM' Wall Mount and 'WMSC' Wall Mount w/ Surface Conduit J-Box Installation Instructions*

Tools Required: 7/16" & 9/16" Socket Wrench, 3/16" Allen Wrench, Phillips-Head Screwdriver, Flat-Head Screw Driver ('WMSC' only)

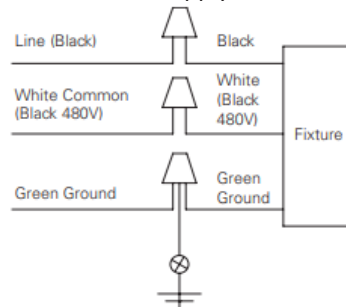
CAUTION: THE REMAINING INSTALLATION STEPS WILL REQUIRE THE ASSISTANCE OF A SECOND INSTALLER FOR WIRING & FINAL INSTALLATION

5. With the assistance of a second installer, install the luminaire/wall mount cover assembly from Step 4 onto the previously installed wall mount base plate per Step 1. First route the supply leads from the recessed junction box or 3/4" conduit through the center hole of the steel back plate/cover plate and into the arm's wiring chamber.
 6. Slide the luminaire/wall mount cover assembly onto the installed wall mount base plate. Make sure the cover is properly aligned/engaged to the wall mount base plate and with the assistance of a second installer, first tighten the top (2) 3/8" x 1-1/4" stainless steel hex set screws (Fig 23) until 3/8"-1/4" of the screw threads are still visible. Then tighten the bottom (2) hex set screws.
- CAUTION: BE SURE EVERYTHING IS ASSEMBLED CORRECTLY AND SET SCREWS ARE FULLY ENGAGED BEFORE RELEASING THE LUMINAIRE.



7. Now, gently tighten all (4) hex set screws by alternating between top corner to opposite bottom corner until firmly snug (ex. top left, bottom right, top right, bottom left). Some threads of the set screw will remain visible after tightening is complete.
8. Make wiring connections inside the arm's splice compartment. Connect the supply wires to the appropriate luminaire supply leads.

- Supply side ground wire to green luminaire lead.
- Supply side neutral wire to white luminaire lead.
- Supply side line voltage wire to black luminaire lead.

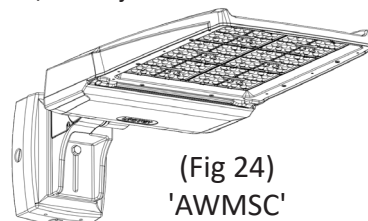


9. Reinstall the arm cover (Fig 21) removed per Step 4, tighten two captive Phillips screws to 0.9 ft-lbs (1.2 N-m). Take care to not overtighten screws which can cause stripping and void all warranties.
10. Final step is to apply a continuous bead of outdoor rated caulking around the entire perimeter of the wall mount and mounting surface to ensure weather-tight integrity of electrical components, including the 3/4" conduit entry/exit for the 'WMSC' version.

'AWM' Adjustable Wall Mount and 'AWMSC' Adjustable Wall Mount w/ Surface Conduit J-Box Installation Instructions*

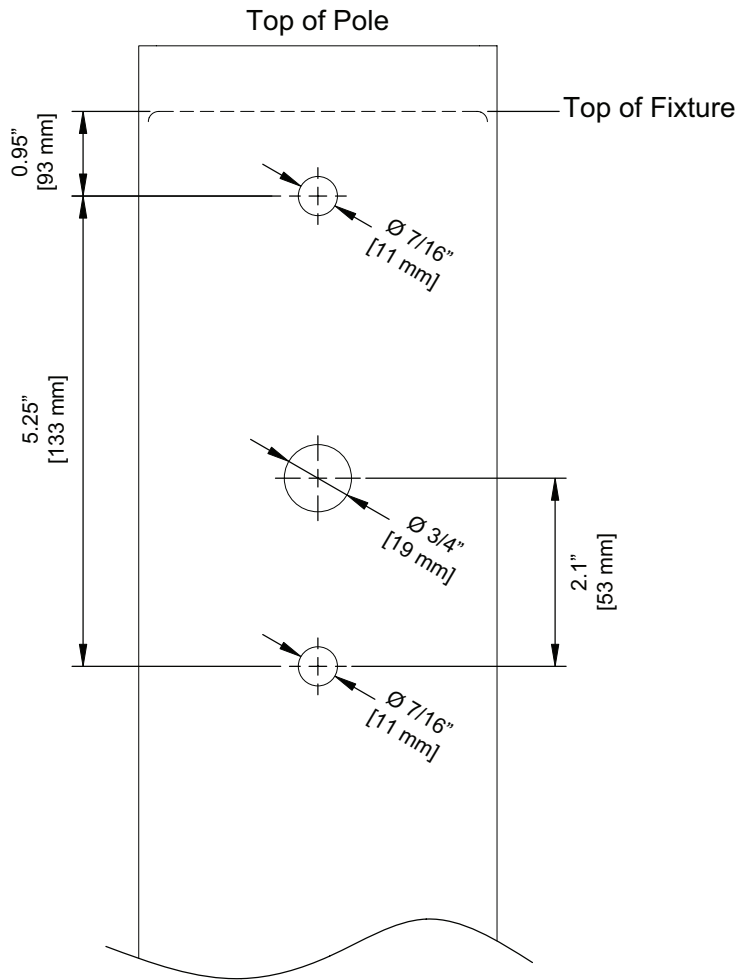
Tools Required: 9/16" Socket Wrench, 3/16" Allen Wrench, Phillips-Head Screwdriver, Flat-Head Screw Driver ('AWMSC' only)

1. The 'AWM' and 'AWMSC' adjustable wall mount (Fig 24) installation is identical to the 'WM' and 'WMSC' instructions. Only difference is where the arm splice cover is accessed and the tilt/aim adjustment of the luminaire. Please refer to 'ASPM' installation on pg. 7 for details.

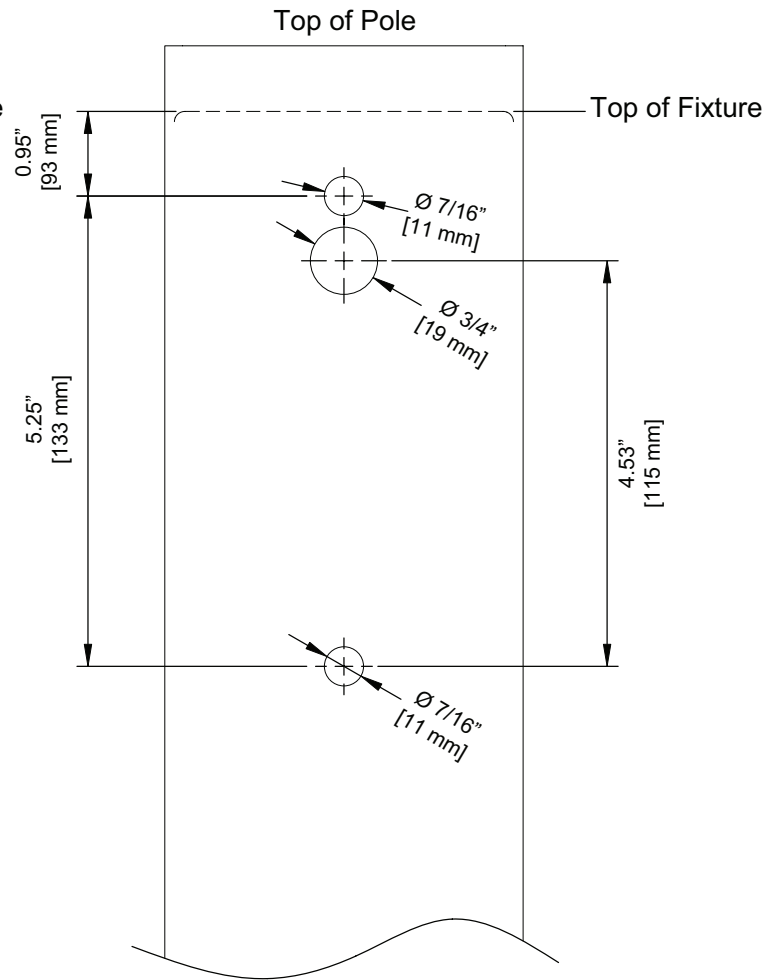


***NOTE: 'WM', 'WMSC', 'AWM' and 'AWMSC' wall mount options are pre-wired with the luminaire's supply wire leads routed inside the luminaire arm's UL recognized wiring/splice compartment (Fig 21). It is not necessary to open and access the fixture's driver/electrical compartment to install or wire the luminaire.**

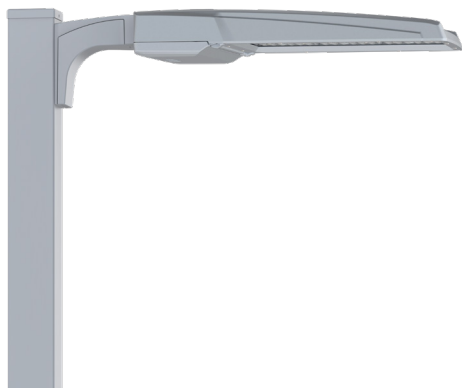
Pole Mount Drilling Dimensions for New Construction



New Construction Pole Mount Drilling Dimensions
'SPM' 'RPM'



New Construction Pole Mount Drilling Dimensions
'ASPM' 'ARPM'



Field Adjustable 'PS' Performance Selector Setting Instructions

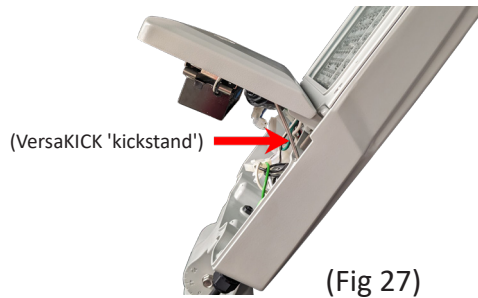
Tools Required: No tools required

***NOTE:** 'PS' Performance Selector ships from the factory at 100% output (Position #8). If the 'PS' output does not need to be adjusted, install the luminaire as normal per the mounting's required installation instructions. Otherwise, please refer to below for how to adjust 'PS' output.

1. The 'PS' Performance Selector field adjustable output dial is located inside the tool-free accessible driver/electrical compartment that is accessible via two thumb-pull latches (Fig 25). Release both latches to access the driver/electrical compartment and hinge the door open (Fig 26) to locate the 'PS'.



2. If necessary, release and rotate the included VersaKICK 'kickstand' (Fig 27) and insert into to the slot/stop to help keep the driver/ electrical compartment door in an open position while adjusting, installing or maintaining anything located inside the compartment.



3. To change the 'PS' factory setting, simply rotate the positive lock dial to the desired output/appropriate setting. The 'PS' Performance ships from the factory at 100% output Position #8 (Fig 28) per the customer specified/ordered 'Performance Code' ('P1' to 'P7').



Field Adjustable 'PS' Performance Selector (*'PS' is only compatible with standard 0-10V drivers, not compatible w/ optional DALI drivers*)

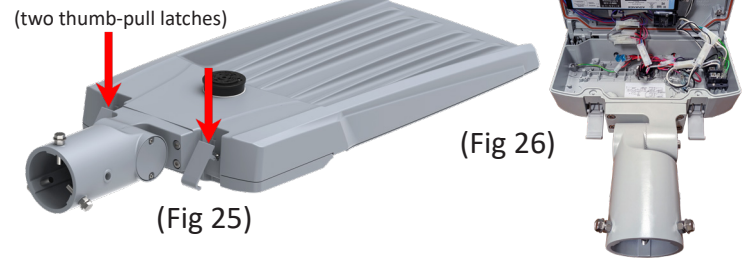
The optional Performance Selector is an integral dial that allows for field adjustable lumen/wattage dimming control for added design versatility. Normal tolerance +/- 5%.

PS Position	Lumen Output %	P1 Wattage (W)	P2 Wattage (W)	P3 Wattage (W)	P4 Wattage (W)	P5 Wattage (W)	P6 Wattage (W)	P7 Wattage (W)
8	100%	180	211	263	290	317	345	373
7	90%	159	187	233	257	281	305	330
6	80%	143	168	209	231	252	275	297
5	70%	124	145	181	200	218	237	257
4	60%	108	127	159	174	191	207	224
3	50%	89	104	130	144	157	171	185
2	40%	71	83	104	114	125	136	147
1	30%	53	62	78	86	94	102	110

Optional Tool-Free Removable 'PWRD' Power Door Instructions

Tools Required: No tools required

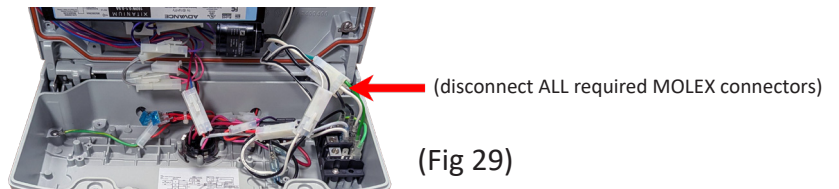
1. To access and remove the optional tool-free 'PWRD' power door, first open the 'PWRD' via two thumb-pull latches (Fig 25). Release both latches and hinge the door open (Fig 26).



2. If necessary, release and rotate the included VersaKICK 'kickstand' (Fig 27) and insert into to the slot/stop to help keep the 'PWRD' in an open position to help make removal of the door easier for the installation/maintenance contractor.

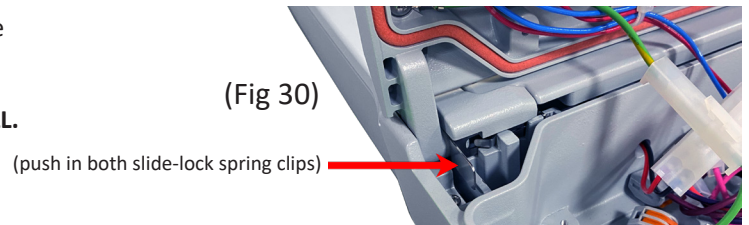


3. Next, carefully disconnect all required tool-free MOLEX connectors (Fig 29) before proceeding to the next step to remove the 'PWRD'.

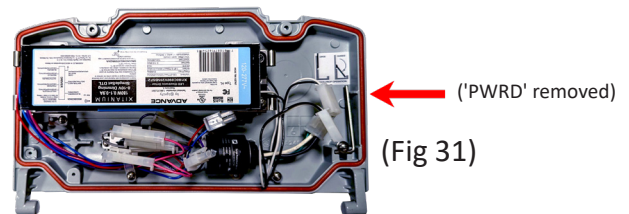


4. Push in the (2) slide-lock clips (Fig 30) located on each end of the door to disengage the 'PWRD' from the luminaire's housing

WARNING: TAKE SPECIAL CARE, AFTER THE SLIDE-LOCK CLIPS ARE DISENGAGED THE DOOR CAN BE REMOVED OR COULD FALL.



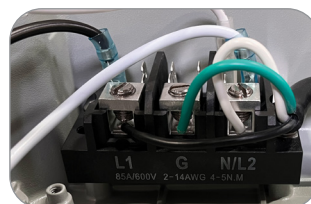
5. Simply slide the 'PWRD' forward to fully disengage the door from the housing and lift to remove (Fig 31). Repeat the steps in reverse order to reinstall or replace the 'PWRD' as needed.



Optional 'TB' Terminal Block Wiring Instructions

Tools Required: Flat-Head Screwdriver

1. All luminaires that are specified/ordered with an optional 'TB' Terminal Block comes factory pre-wired with S/O cord or individual 3-wire leads installed to the 'TB' that exit the luminaire. It is not necessary to open and access the fixture's driver/electrical compartment to install or wire the luminaire. Refer to appropriate mounting instructions for details*. (*wire exit location is specific to the mounting option)



(Fig 32)

2. If there is a need to wire direct to the optional 'TB' Terminal Block in the field during installation, please refer to 'TB' wiring connection table (Fig 32).

Terminal Block Electrical Wiring Connection

	MV* (120/220/277V)	HV* (347/480V)
L	Hot 1	Hot 1
G	Ground	Ground
N/L2	Neutral	Hot 2
	Hot 2 (208V/240V)	

* All Power Supplies are Auto-Sensing