

LED Railroad Power Off Indicator

Leading the LED Industry Since 1992

With over 7,000,000 units installed globally

Longer Lasting, Brighter Light

- Available in both red and white for extra safety and visibility
- Easy to retrofit
- Excellent moisture and dust resistance
- Robust hard-coated and UV-stabilized polycarbonate lens for increased longevity against the elements
- 3-year Limited Warranty

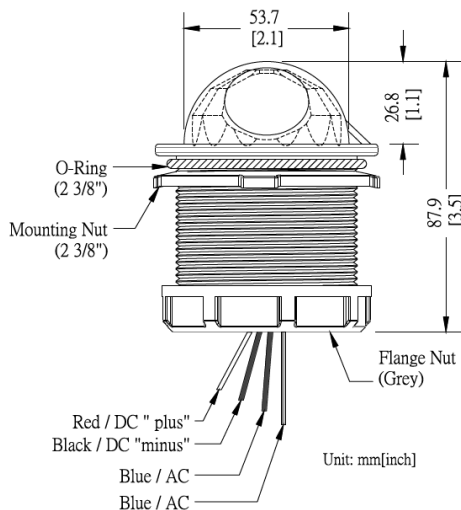


Model Specifications and Ordering Options

Model	Ball Color	Wattage Drawn
TSL-POK-WCF-AB1*	○	2.5W
TSL-POK-RBM-B1*	●	2W

*-WG = Wago Connector. Add to part number if needed for installation

Operating temperature	-40°F to 158°F (-40°C to 70°C)
Operating Voltage	7-18Vdc
Operating Relative Humidity (%) Non-Condensing	0-95
AC Detection Voltage	55-240Vac
Vibration	AREMA Part 11.5.1 C
Duty Cycle	50%
EMI	AREMA Part 11.5.1 - Class C
Dielectric	2kVrms



Typical Current Characteristic

