

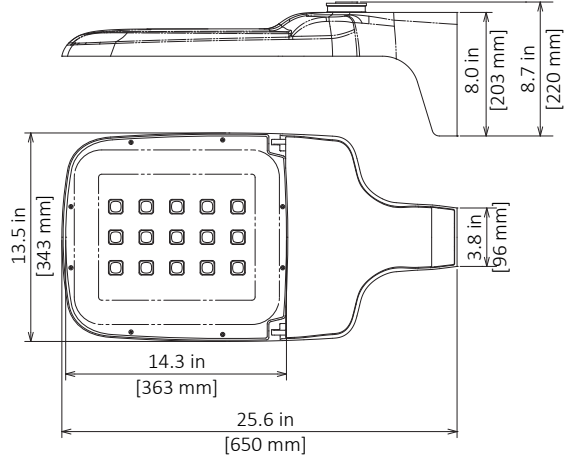
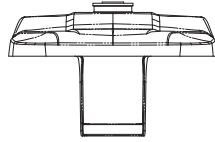
ARIETA™13 LED Area Luminaire

AR13 M-Series Specification Data Sheet

Project
Type
Catalog No.

Luminaire Data

Weight 15.4 lbs [7 kg]
EPA 0.47 ft²



Ordering Information

Sample Catalog No. AR13 6M MV NW 5 BK 700 MSL3

Product	LED No. & Type	Voltage	Nominal Color Temperature	Distribution	Finish ¹	Drive Current ²	Options
AR13	4M	MV 120-277V	WW 3000K	2 Type 2	BK Black	350 350mA	HSS ³ House Side Shield (Factory Installed)
	6M	HV 347-480V	NW 4000K	3 Type 3	DB Dark Bronze	530 530mA	FDC ⁴ Fixed Drive Current
	10M		CW 5000K	4 Type 4	WH White	700 700mA	FFA ⁵ Full Field Adjustability
	15M			5 Type 5	GY Gray		PCR NEMA Photocontrol Receptacle
	18M				NA Natural Aluminum		PCR7 ANSI 7-wire Photocontrol Receptacle PCR7-CR ⁶ Control Ready 7-wire Photocontrol Receptacle
							MSL7 ⁷ Motion Sensor with L7 Lens MSL3 ⁷ Motion Sensor with L3 Lens PPS ⁸ Programmable Power Supply ORR Optics Rotated Right ORL Optics Rotated Left WL Utility Wattage Label

Notes:

- 1 Black, Dark Bronze, White, or Gray standard, consult factory for Natural Aluminum or other finishes.
- 2 Specified drive current code is the factory set maximum drive current. Field adjustable current selector enables standard dimming to lower wattage drive currents only. Consult factory if wattage limits require a special drive current.
- 3 Flush mounted shield factory installed, also available for field installation. House Side Shield cuts light off at 1/2 mounting height behind luminaire.
- 4 Non-field adjustable drive current. Specify 350mA, 530mA or 700mA setting.
- 5 The FFA option enables full field adjustability from the specified drive current code to all drive currents available. This option is not DLC qualified.
- 6 Control-ready wired at factory for wireless node dimming. Supplied at maximum drive current. If lower drive current is required, consult factory.
- 7 Motion Sensor available with MV only. Motion Sensor default setting dims luminaire to 50% when no motion detected for 5 minutes. Field adjustable using FSIR100 for alternate settings. See L7 or L3 Lens coverage details on page 3. Consult factory for MS specified with ANSI 7-wire Photocontrol Receptacle. Luminaire warranty is limited to 5 years with a Motion Sensor. PCR option is required for On/Off control using light detection.
- 8 Consult factory for programming.
- 9 Specify Color (GY, DB, BK, WH, NA)
- 10 Specify MV (120-277V) or HV (347V-480V)

Accessories [*]	
HSS ³	House Side Shield
RPA ⁹	Round Pole Adapter
PTF1 ⁹	Square Pole Top Fitter Single
PTF2 ⁹	Square Pole Top Fitter Twin at 180°
PTF4 ⁹	Square Pole Top Fitter Quad
WM ⁹	Wall Mount
BSK	Bird Deterrent Spider Kit
LLPC ¹⁰	Long-Life Twist Lock Photocontrol
SC	Twist Lock Shorting Cap
FSIR100	Motion Sensor Configuration Tool

*Accessories are ordered separately and not to be included in the catalog number

Luminaire Specifications

Housing

Die cast aluminum housing with universal mounting design allows for attachment to existing pole without redrilling for retrofit applications. Aluminum housing provides passive heat-sinking of the LEDs and has upper surfaces that shed precipitation. Mounting provisions meet 3G vibration per ANSI C136.31-2010 Normal Application, Bridge & Overpass. Electrical components are accessed without tools and are mounted on removable power door.

Light Emitting Diodes

Hi-flux/Hi-power white LEDs produce a minimum of 90% of initial intensity at 100,000 hours of life based on IES TM-21. LEDs are tested in accordance with IES LM-80 testing procedures. LEDs have correlated color temperature of 3000K (WW), 4000K (NW), or 5000K (CW) and 70 CRI minimum. LEDs are 100% mercury and lead free.

Field Adjustability

LED drive current can be changed in the field to adjust light output for local conditions (not available with PCR7-CR option). The specified drive current code will be the factory set maximum drive current and field adjustments can only be made to available lower wattage drive currents. Select the FFA option if full field adjustability to all available drive currents (700mA max) is desired. The FFA option is not DLC qualified.

Quality Control

Every luminaire is performance tested before and after a 2-hour burn-in period. Assembled in the USA.

Optical Systems

Micro-lens optical systems produce IESNA Type 2, Type 3, Type 4 or Type 5 distributions and are fully sealed to maintain an IP66 rating. Luminaire produces 0% total lumens above 90° (BUG Rating, U=0). Optional house side shield (HSS) cuts light off at 1/2 mounting height behind luminaire.

Electrical

Rated life of electrical components is 100,000 hours. Uses isolated power supply that is 1-10V dimmable. Power supply is wired with quick-disconnect terminals. Power supply features a minimum power factor of .90 and <20% Total Harmonic Distortion (THD). EMC meets or exceeds FCC CFR Part 15. Terminal block accommodates 6 to 14 gauge wire. Surge protection complies with IEEE/ANSI C62.41 Category C High, 20kV/10kA.

Controls

3-Wire photocontrol receptacle (PCR) is available. ANSI C136.41 7-wire (PCR7) photocontrol receptacle is available. All photocontrol receptacles have tool-less rotatable bases. Wireless control module is provided by others.

Finish

Housing receives a fade and abrasion resistant polyester powder coat finish. Finish tested to withstand 3000 hours in salt spray exposure per ASTM B117. Finish tested 500 hours in UV exposure per ASTM G154 and meets ASTM D523 gloss retention.

Listings/Ratings/Labels

Luminaires are UL listed for use in wet locations in the United States and Canada. DesignLights Consortium™ qualified 120-277V product. International Dark Sky Association listed. Luminaire is qualified to operate at ambient temperatures of -40°C to 40°C.

Photometry

Luminaire photometrics are tested by certified independent testing laboratories in accordance with IES LM-79 testing procedures.

Warranty

10-year limited warranty is standard on luminaire and components. 5-year limited warranty on luminaires and components with a motion sensor.

Performance Data

All data nominal, consult factory for IES files or LM-79 reports.

No. of LEDs & Type	Drive Current (mA)	System Wattage (W)	Type 5		
			Delivered Lumens (Lm)	Efficacy (Lm/W)	BUG Rating
4M	350*	18	2170	121	B2 U0 G1
	530	28	3080	110	B2 U0 G1
	700	37	3850	104	B2 U0 G1
6M	350	26	3120	120	B2 U0 G1
	530	39	4430	114	B2 U0 G1
	700	52	5530	106	B3 U0 G1
10M	350	43	5190	121	B3 U0 G1
	530	65	7380	114	B3 U0 G1
	700	86	9210	107	B3 U0 G2
15M	350	65	7790	120	B3 U0 G1
	530	97	11080	114	B3 U0 G2
	700	129	13818	107	B4 U0 G2
18M	350	78	9340	120	B3 U0 G2
	530	116	13290	115	B4 U0 G2
	700	155	16580	107	B4 U0 G2

Note:

* DLC qualification at 350mA limited to 120-240V

Motion Sensor (Optional) Specifications

Description

Digital passive infrared luminaire integrated outdoor occupancy sensor provides high/low/off control based on motion detection. Initial setup and subsequent sensor adjustments are made using a handheld configuration tool. PCR option is required for On/Off control using light detection.

Operation

Standard factory setting will dim the luminaire to 50% until motion is sensed and then it will power to 100%. When motion is not detected for five minutes, the luminaire will dim back to 50%. Ramp up and fade down times are adjustable, but initially set to NONE. The percent dimming and time durations may be field adjusted as required using FSIR-100 configuration tool. FSIR-100 user guide available at: www.wattstopper.com.

Optical System

Multi-cell, multi-tier Fresnel lens with a 360 degree view detects unobstructed motion within one mounting height, up to 20ft maximum (standard). Consult factory for higher mounting height requirements.

Finish

Sensor exterior ring and lens are white polycarbonate, UV and impact resistant.

Listings/Ratings

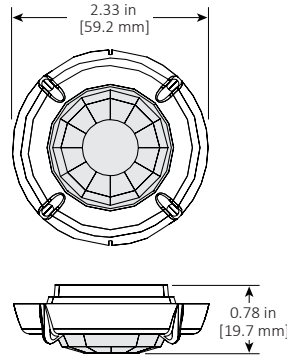
Sensor is TUV, UL and cUL listed, IP66 rated and CE compliant.

Warranty

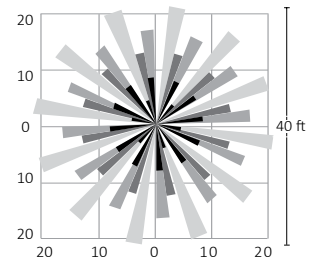
5-year limited warranty on luminaires and components with a motion sensor.

Motion Sensor (Optional) Data

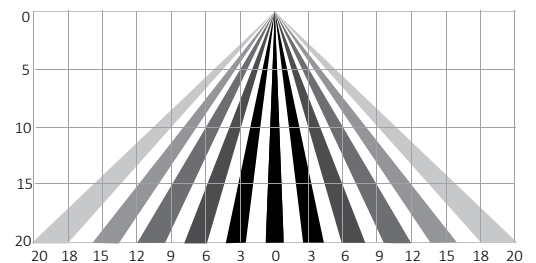
L3 Lens Dimensions



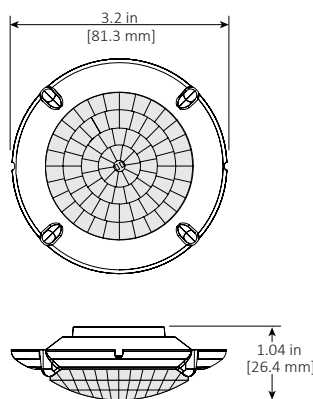
MSL3 Lens Coverage Top View



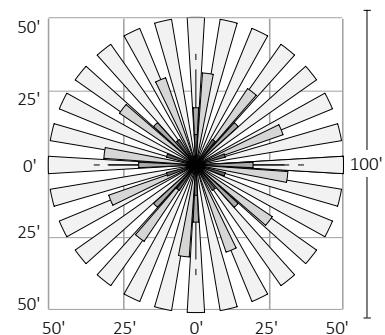
MSL3 Lens Coverage Side View



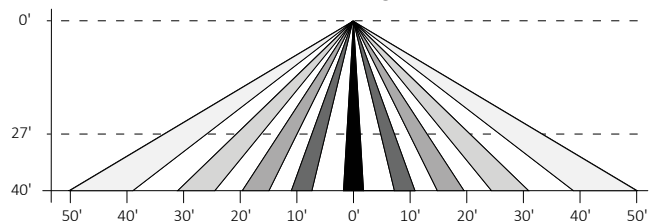
L7 Lens Dimensions



MSL7 Lens Coverage Top View



MSL7 Lens Coverage Side View



Pole Mount Drilling Specifications

