

LED 12" Traffic Signal Module IL6-P3 Series Incandescent Look U TURN Arrow

Leading the LED Industry Since 1992

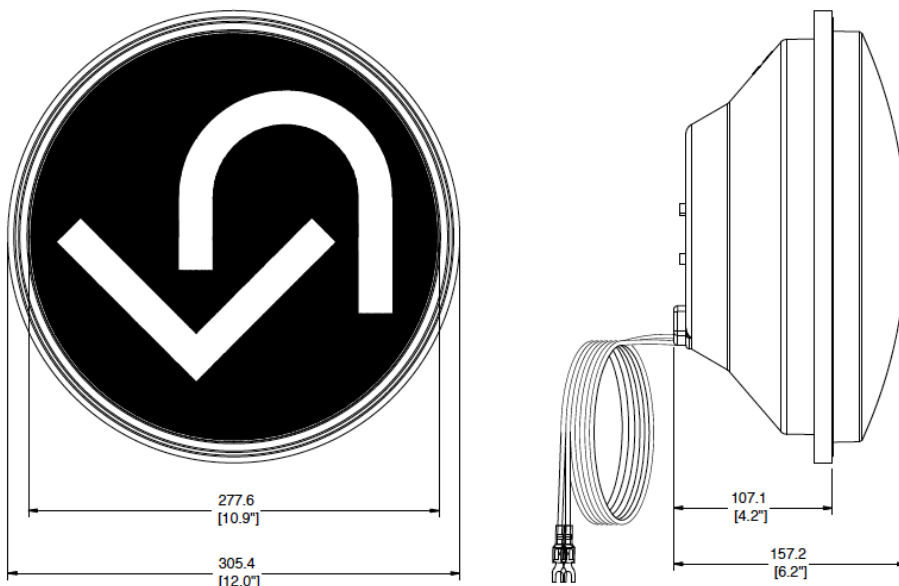
With over 7,000,000 units installed globally

Superior Performance and Reliability

- Easy installation into existing signal housings
- Patented innovative optical technology
- Wider viewing angle and enhanced uniformity
- Maintains 70% of the initial light intensity after 100,000 hours of operation
- Overmolded electrical connectors provide fully-weatherized seal
- Excellent moisture and dust resistance
- Utilizes constant current source to maintain consistent light output
- Superior thermal management
- Energy efficient and environmentally friendly
- MUTCD Compliant
- 5-year limited warranty



Mechanical Dimensions [mm(in)]






LED 12" Traffic Signal Module

IL6-P3 Series Incandescent Look

U TURN Arrow

Model Specifications and Ordering Options

Operating Temperature: -40°F to 165°F (-40°C to 74°C)	Turn-On/Turn-Off Time: < 75msec
Operating Voltage: 80 - 135Vac	Turn-Off Voltage: > 35Vac
Power Factor: > 0.90	Total Harmonic Distortion (THD): < 20%

Model Number and Color	Wattage Drawn	Voltage	Dominant Wavelength	Maintained Intensity (cd) Min.
12 inch arrow				
TSL-12R-IL6-U-A1 	5.5	80-135Vac	626	58.4
TSL-12Y-IL6-U-A1 	6.6	80-135Vac	589	145.6
TSL-12G-IL6-U-A1 	6.8	80-135Vac	500	76.0

Standard Conformance

- FCC Compliant for Electrical Noise
- MIL-STD-810F Moisture Resistant
- MIL-STD-883 Mechanical Vibration