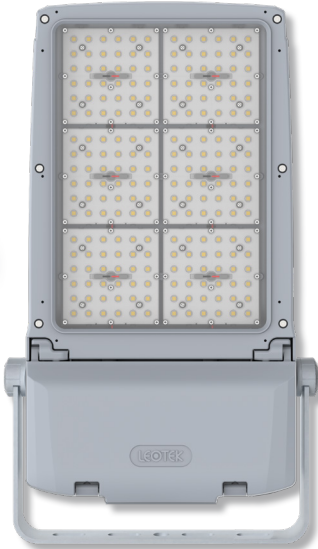
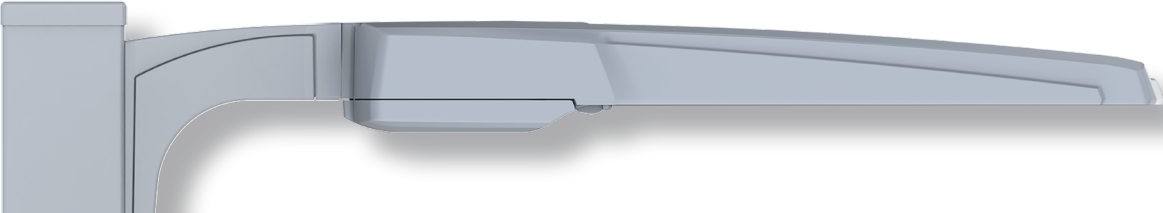


LEOTEK®



VersaTEK Series

Performance LED Flood, Site & Area and OFF-Roadway Solutions



Versatility by Design

LEOTEK's VersaTEK Series was designed for ultimate project versatility thanks to its perfect combination of power, performance, features and durability for any Flood, Site & Area and OFF-Roadway application.

Engineered with the latest LED and driver technologies, VersaTEK luminaires deliver up to 65,000+ lumens and efficacies as high as 190+ LPW. From its optional field adjustable performance selector, 14 mounting options, wide range of performance optics and shield options, standard 50°C high-ambient & IP66 design and tool-free electrical access, while weighing only 30-38 lbs for safe & easy installation, VersaTEK is the true definition of 'Versatility by Design'.

"VersaTEK from LEOTEK is my one stop shop for a wide range of applications, simplifying our fixture asset management while minimizing complexity for my work crews..."
~ Senior QPL Engineer



Floodlighting

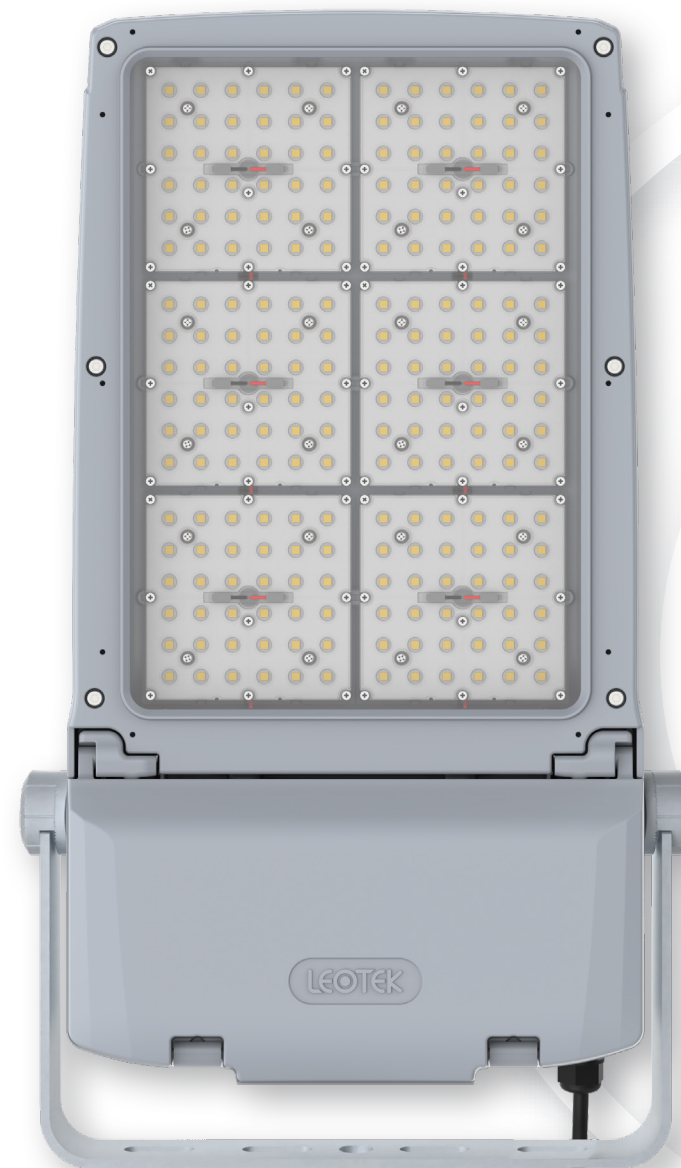
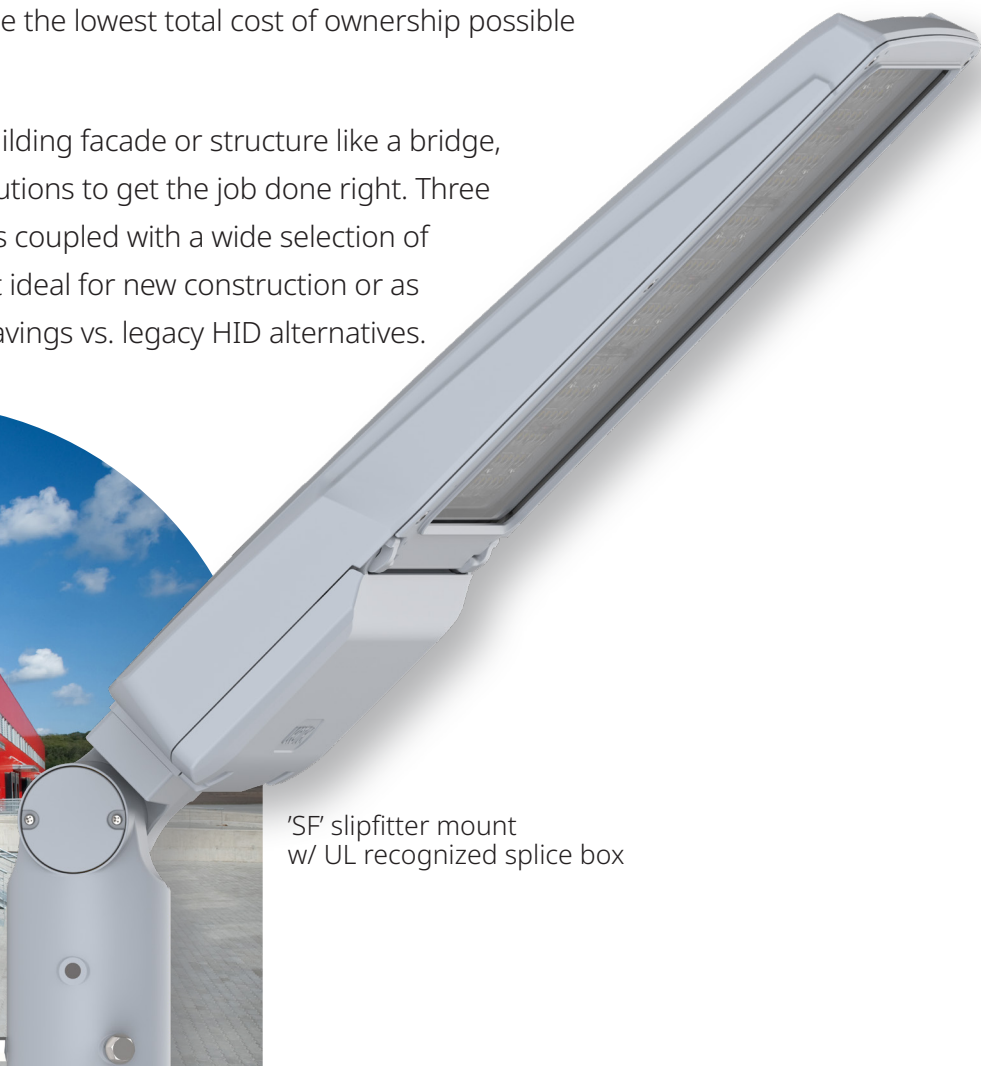
The VersaTEK Floodlight Series is an extremely durable and performance focused solution for both specification and budget minded applications for demanding Utility, Municipality, DOT and Commercial project applications.

A value-driven solution for any flood application where the VersaTEK Flood's product reliability and performance is paired with a lineman-friendly installation and hassle-free maintenance design to help provide the lowest total cost of ownership possible over an expected installed service life of 10-20 years.

Whether you need to light a loading dock, large open spaces, to accenting a building facade or structure like a bridge, the VersaTEK Flood has a wide range of mounting and performance optical solutions to get the job done right. Three slipfitters, yoke, trunnion and adjustable wall or direct to pole mounting options coupled with a wide selection of all-purpose and performance flood optics to design with, making this floodlight ideal for new construction or as a retrofit solution providing ~70-80%+ in combined energy and maintenance savings vs. legacy HID alternatives.



'SF' slipfitter mount
w/ UL recognized splice box



'YK' yoke mount

"I can light everything from my equipment storage yards, loading docks and electrical substations for safety and security...VersaTEK has every design option I need and more..."
~ Facilities Manager



OFF-Roadway Lighting



'SF' slipfitter mount
w/ UL recognized splice box



The VersaTEK OFF-Roadway Series provides elite performance illumination & safety for a wide range of offset roadway, interstate highway applications and more, while significantly reducing infrastructure expenses over the installed life of the system.

Providing a safety-focused solution for drivers on busy roads and highways and the crews that install and maintain the luminaires year-round. VersaTEK's OFF-Roadway performance optics combined with the ability to tilt for maximum coverage, pole spacing and uniformity helps to make our roads and highways safer for all during any nighttime driving condition.

Required pole counts are significantly reduced thanks to wider on-center spacing and broad multi-lane coverage. Expensive pipe and wire costs are reduced by eliminating the use of secondary pole arms. Resulting in ~70-80%+ in combined energy and maintenance savings and reduced infrastructure costs over the full installed life.

An optional tool-free removable 'Power Door' provides added safety and additional maintenance savings. All serviceable electrical components can be removed and replaced in less than 30 seconds. Keeping field maintenance time in a lift truck on a busy freeway and a pole's downtime to an absolute minimum for everyone's safety.

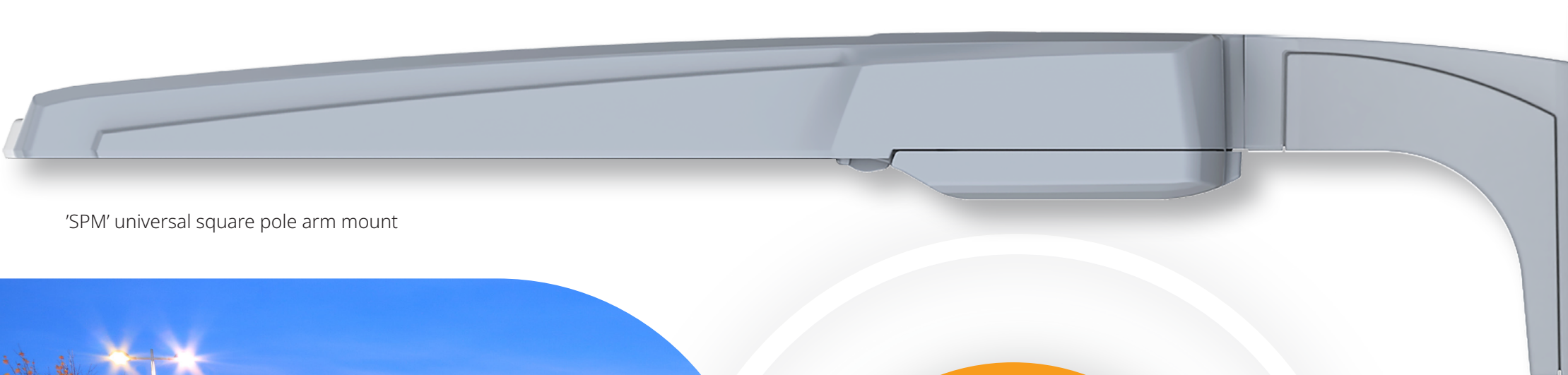
Site & Area Lighting

The VersaTEK Site & Area Series is the perfect blend of architectural design, power, performance and reliability with a simple retrofit friendly design delivering up to 65,000+ lumens and weighing in at only 30 lbs.

For end users looking for value friendly initial costs combined with significant energy and maintenance savings resulting in ~70-80%+ combined savings over the course of its installed life versus traditional HID luminaires, VersaTEK's Site & Area Series is your clear choice for optimal payback, reduced total cost of ownership and overall ROI.

With a clean free flowing low-profile design, the pole arm mount blends seamlessly into any environment or application. Performance factory rotatable optics and multiple field installable shield options allows for extremely uniform illumination that looks amazing while providing visual safety and trespass control for demanding installations.

Pair this with a wide range of fixture and control options, including motion sensors, DALI D4i drivers, D4i receptacle options and part night dimming control capabilities in an easy to retrofit lightweight design for safe, quick single-person installation.



'SPM' universal square pole arm mount



"My workers feel safe when leaving the office at the end of the day as our entire parking lot is well lit with no dark areas or shadows..."

~Retail General Manager

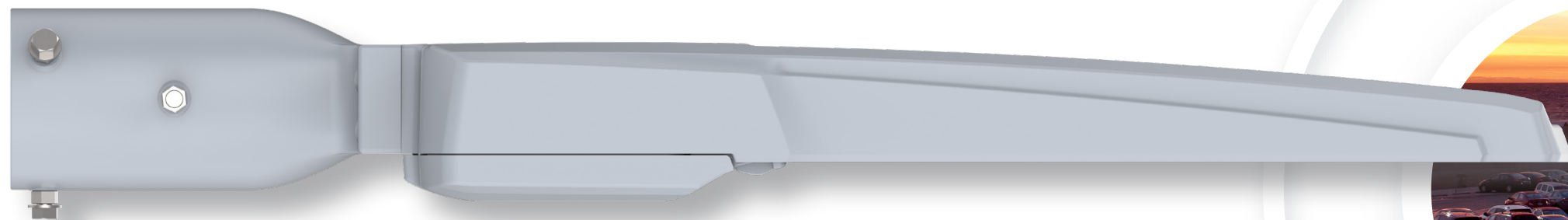


Specs at a Glance

Engineered to meet the most demanding performance, safety, reliability and core functional specifications in today's demanding Utility, Municipal, DOT and Commercial outdoor lighting markets and applications, the VersaTEK Series from LEOTEK is ready to lead where our competition can only follow.

Whether you are in the harsh winter climate of Minnesota, the sweltering year round heat of central Texas or the harsh salt air of Florida's gulf coast, VersaTEK luminaires are engineered to last. Thanks in part to its standard 50°C high-ambient certification, full luminaire IP66 design, 3G vibration rating, A360 die-cast low copper alloy (< 0.6%) and robust coastal paint finish options.

Include the fact that every luminaire that LEOTEK assembles in the USA at our San Jose facility is tested both before & after a rigorous 2-hour burn-in cycle before shipping. You can be rest assured that you are receiving one of the most reliable outdoor lighting solutions available today with an expected installed service life of 10-20 years.



'MAF' mast arm fitter mount



Key Features, Details & Specs

- 29,000 to 65,000+ lumens w/ efficacies up to 190+ LPW
- True 400-1000+ watt HID replacement (*70%+ energy savings*)
- 14 mounting options suitable for any design application
- Tool-free access w/ optional tool-free removable 'Power Door'
- Next-gen LED performance Flood, Site & Area, OFF-Roadway optics
- 2700K, 3000K, 4000K & 5,000K CCT options available
- Weighs 30 to 38 lbs. for safer single person installation
- 10kV integral surge standard, 20kV extreme surge options available
- Entire luminaire & optical assembly is rated IP66
- 50°C (122°F) high-ambient rating is standard
- Pass-thru convective cooling & integral thermal heatsink design
- A360 die-cast low copper content alloy (< 0.6%)
- 5,000-hour salt spray finish standard (*coastal finish available*)
- All exposed fasteners are stainless steel & captive
- IK10 impact rated design (*IK10 rated glass for flood configurations*)
- 3G vibration rated suitable for high winds, overpasses, bridges, etc.
- Tested before & after rigorous 2-hour burn-in cycle
- Assembled in the USA at LEOTEK's San Jose, CA facility
- Backed by LEOTEK's standard 10-year warranty

14 Mounting Options

Application design versatility with fourteen mounting options to choose from. With multiple full cutoff pole, mast arm, wall mount options and multiple adjustable tilt options, the VersaTEK Series from LEOTEK is one of the most comprehensive and versatile outdoor design solutions available in the market today for any application.



'SF' Slipfitter #1
w/ available wire leads located inside UL splice compartment
(compatible w/ 1-5/8", 2-3/8" & 3" O.D. tenons, pre-aimed @ 45° tilt option available)



'SFH' Slipfitter #2
S/O cord exits from housing
3-wire, 16AWG, 4' length



'SFC' Slipfitter #3
S/O cord exits from center of fitter
3-wire, 16AWG, 4' length



'TR' Trunnion Mount
w/ S/O cord
3-wire, 16AWG, 4' length



'YK' Yoke Mount
w/ S/O cord
3-wire, 16AWG, 4' length



'MAF' Mast Arm Tenon Fitter
for horizontal tenon mounting, thru bolt included
(compatible w/ 1-5/8", 2-3/8" & 3" O.D. tenons)



'SPM' Square & 'RPM' Round Pole Arm Mount
can retrofit up to 5-1/4" max bolt spacing
(allows for single person installation)



'ASPM' & 'ARPM' Universal Adjustable Square & Round Pole Mount
direct mounts to pole w/ tilt adjustability
(no additional tenon or mounting accessory required)



'WM' Wall Mount Recessed J-Box Installation
'AWM' Adjustable Wall Mount Recessed J-Box
direct mounts to 3" & 4" square/octagonal recessed J-box
(J-box provided by others)



'WMSC' Wall Mount
'AWMSC' Adjustable Wall Mount w/ Surface Conduit J-Box
includes direct to surface mount conduit J-box
(w/ (4) 3/4" NPT thru-wire conduit taps & plugs, one on each side)

Key Product Features

Integral Tool-Free Access Design

Tool-free electrical access & removable hinged door w/ fixed open door prop design for ease of installation or maintenance
(compatible w/ most lineman safety gloves)



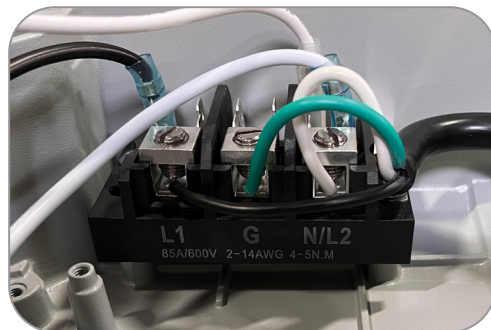
Slipfitter w/ UL Splice Box & Self-Centering Design

Includes integral UL recognized splice compartment and internal 'star' detail to assist with self-centering & leveling during installation
(w/ available wire lead access & WAGOs for ease of installation, compatible w/ 1-5/8", 2-3/8" & 3" O.D. tenons)



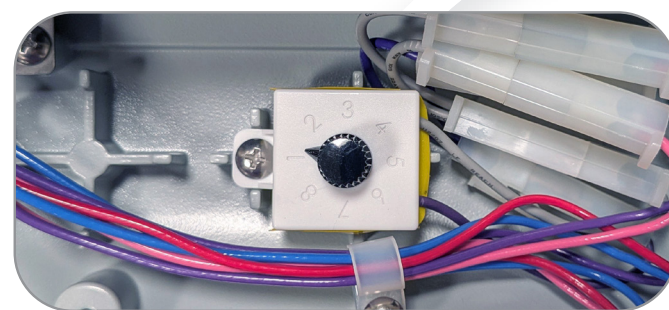
3-Position Terminal Block 'TB' Option

For ease of install/maintenance & increased safety, improved wire management & robust product life cycle operation
(includes line, neutral & ground)

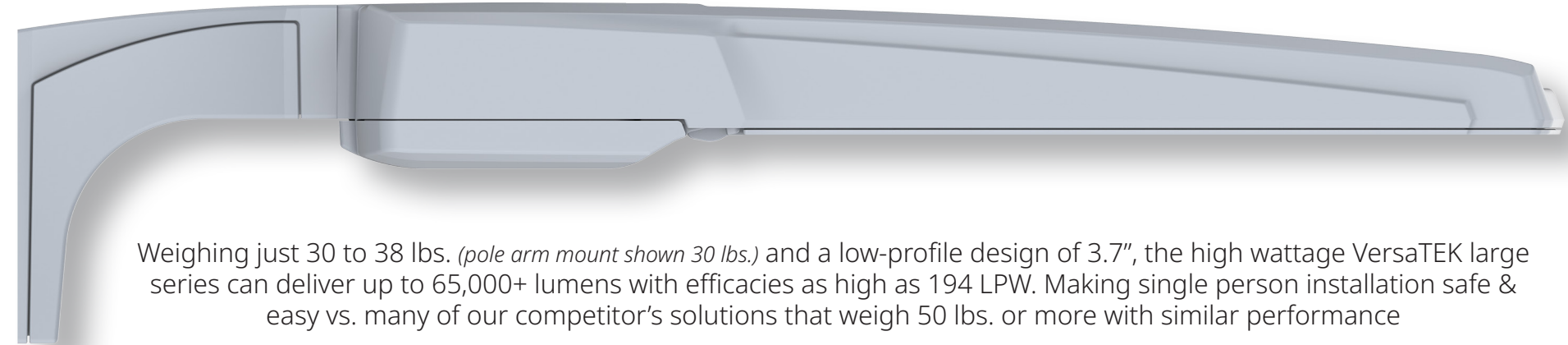


Performance Selector 'PS' Option

Allows for quick & easy field adjustment of wattage & lumen output & reduced SKU complexity
(fixed position dial ensures correct output setting)



Slim yet MIGHTY!



Weighing just 30 to 38 lbs. (pole arm mount shown 30 lbs.) and a low-profile design of 3.7", the high wattage VersaTEK large series can deliver up to 65,000+ lumens with efficacies as high as 194 LPW. Making single person installation safe & easy vs. many of our competitor's solutions that weigh 50 lbs. or more with similar performance

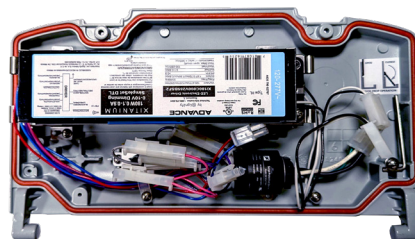
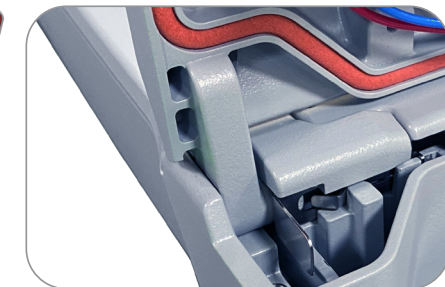
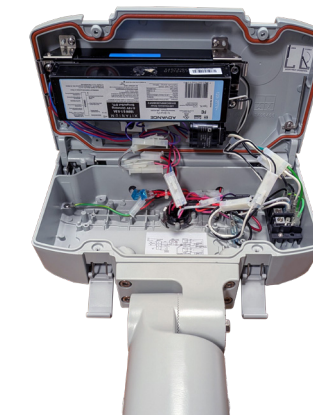
Pass-Thru Convective Cooling

(3) integral cooling slots allows ambient air to flow freely thru the luminaire for enhanced thermal management
(maximizes lifetime of electrical components & lumen maintenance)



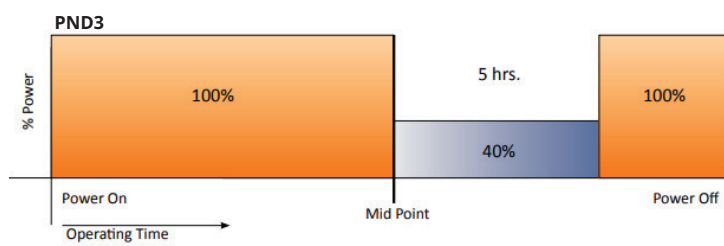
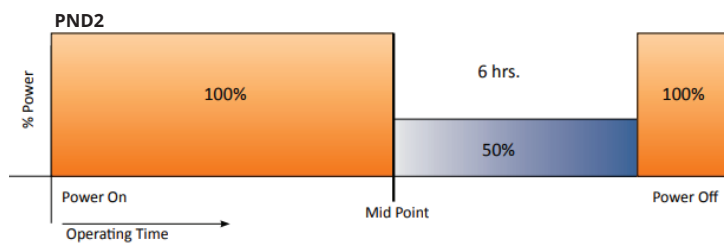
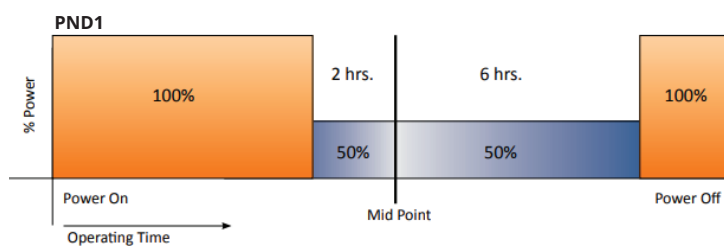
Tool-Free Removable Power Door Option 'PWRD'

All serviceable electrical components are mounted to a tool-free removable Power Door that can be removed in less than 15 seconds to safely service on the ground or replace in seconds
(undo MOLEX connectors, push two spring clips inward to unlock door, slide the door forward & lift to remove)



Controls Options

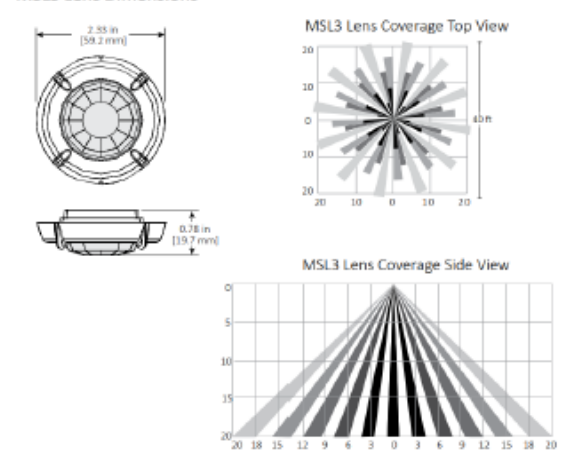
VersaTEK is available with 'Part Night Dimming' time based standalone controls and integral motion sensor controls options for additional energy savings and local code compliance. DALI D4i certified drivers are also available. (contact LEOTEK for connected wireless control solution availability)



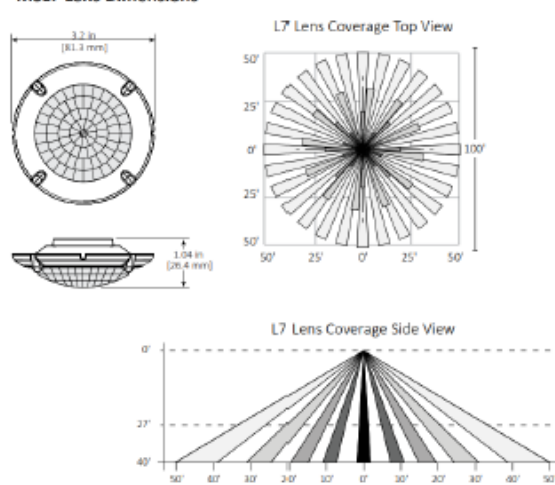
Optional Part Night Dimming Control Options

Simple integral and autonomous dimming options available in (3) different profiles will dim the luminaire based on the LED driver's continuous monitoring of the night's mid-point to account for seasonal changes (can be paired with motion sensor options to override the dimming profile for added safety)

MSL3 Lens Dimensions



MSL7 Lens Dimensions



Motion Sensor Options For Energy Savings & Code Compliance

Integral motion sensor option is available for all horizontal fixed position luminaire configurations to dim light levels to 50% during unoccupied periods for energy savings and local code compliance ('MSL3' lens option suitable for 20' max height, 'MSL7' lens option for 40' max height, 5-minute standby time standard)



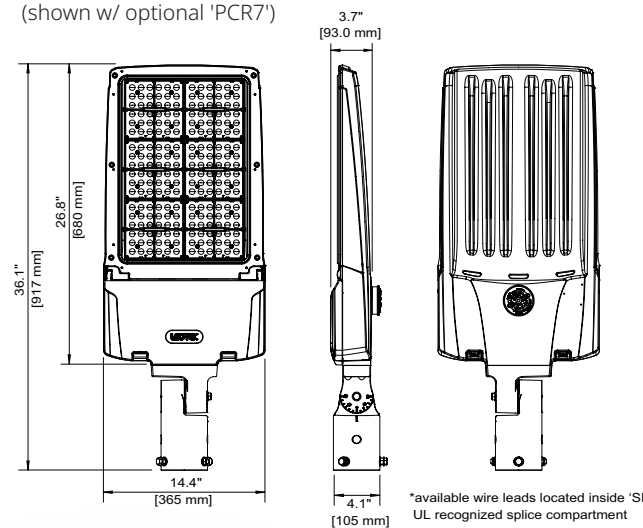
'FSIR100' Handheld Remote Program Tool

IR motion sensor configuration tool for quick & easy field programming of sensor settings as required

Dimensional Data

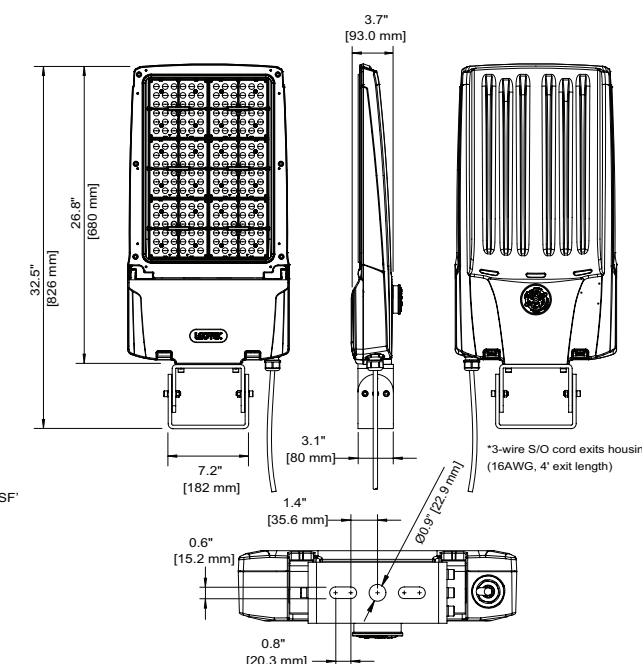
'SF' Slipfitter Mount*

(available wire leads in UL splice compartment) (shown w/ optional 'PCR7')



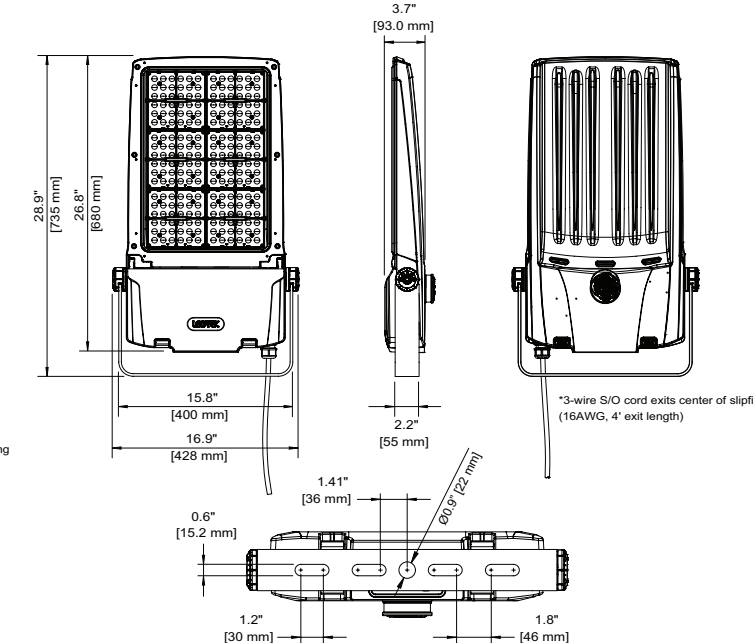
'TR' Trunnion Mount*

(shown w/ optional 'PCR7')



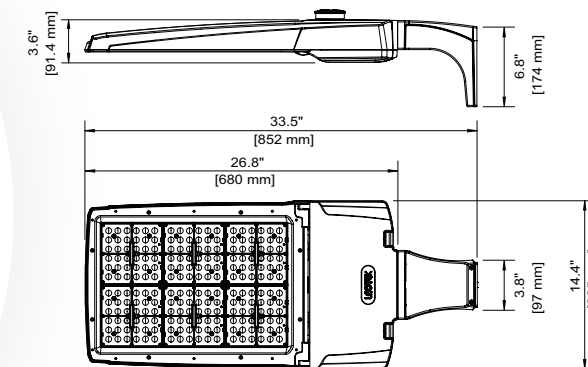
'YK' Yoke Mount*

(shown w/ optional 'PCR7')



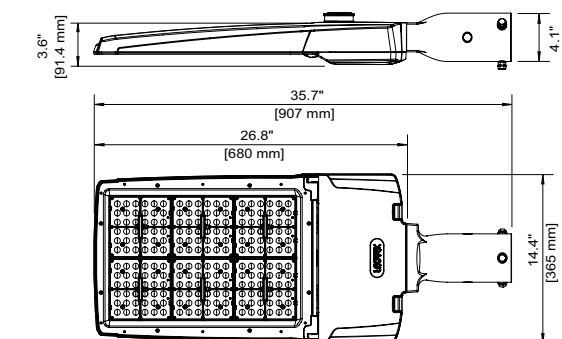
'SPM' Square & 'RPM' Round Pole Arm Mount

(quick mount arm can retrofit up to 5.25" max. bolt spacing w/ no drilling required)



'MAF' Horizontal Mast Arm Fitter Mount*

(3/8" stainless steel thru-bolt & nut is included)



*compatible w/ 1-5/8", 2-3/8" & 3" O.D. tenons

About LEOTEK

LEOTEK Electronics USA LLC, located in California's Silicon Valley, is celebrating over thirty years as an LED lighting manufacturer, and is a leading supplier of LED streetlights worldwide. Globally recognized as a pioneer in light-emitting diode technology, and with millions of LED products installed worldwide, the company has a historical legacy of proven performance. LEOTEK offers innovative LED lighting products that integrate cutting-edge IoT and smart technology features into their lighting applications encompassing traffic, transit, street, and area lighting, providing advanced functionalities for efficient and intelligent lighting systems. LEOTEK street and area lighting products are assembled in the USA.



Visit [LEOTEK.com](https://www.leotek.com) to learn more about our innovative LED Lighting products



ComfortView™

LEOTEK's ComfortView™ streetlights utilize a new approach to address glare for neighborhood streets. Now neighborhoods can be beautifully lit with more visual comfort than first generation LED luminaires while maintaining safety and energy efficiency. As with our other GreenCobra® LED Streetlights, ComfortView™ is built with durable high-strength materials and reliable components, and is backed by our 10-Year Warranty and 30 years of experience building LED lighting products.



Arieta ComfortGuide™

LEOTEK's Arieta Site & Area Series of products are suited for numerous applications, including parking lots, campuses, office complexes, streets and public parks, Arieta® is universally retrofittable. Arieta is available in two housing sizes (AR13, AR13-CG & AR18) and a wide range of lumen packages to match the visual scale of multiple pole mounting heights. Also available is LEOTEK's ComfortGuide™ edge lit performance optics for low glare visual comfort versus first generation LED luminaires while maintaining safety and energy efficiency.



Post Top Colonial

LEOTEK's Post Top Colonial Lantern provides the traditional aesthetic of an old-style lantern with the versatility, cost-savings and benefits of advanced LED technology. The Post Top Colonial is a specification-grade luminaire constructed of durable die-cast aluminum and finished with long-lasting protective powder coat paint. Fasteners are stainless-steel, captive, and tool-less. While traditional in design, the Post Top Colonial incorporates state of the art long-life rated components and is tested to meet rigorous industry standards.



SafeGuard™

LEOTEK's SafeGuard™ Utility Grade LED Security Light is a multi-purpose luminaire for Security, Dusk to Dawn, Street and Area Light applications. SafeGuard™ is a versatile, reliable, energy efficient, and economical option for use in a wide range of scenarios.

Scan the QR code to keep in touch with LEOTEK



© 2024 Leotek Electronics USA. All Rights Reserved

VersaTEK Overview Brochure 09-03-24 V3 All specifications subject to change without notice.