

VersaTEK Large LED OFF-Roadway Series



Versatility by Design

The VersaTEK OFF-Roadway Series provides elite performance illumination & safety for a wide range of offset roadway, interstate highway applications & more, while significantly reducing infrastructure expenses over the installed life of the system.

Providing a safety-focused solution for the drivers on your busy roads & highways and the crews that install & maintain the luminaires year round. VersaTEK's OFF-Roadway Series performance optics with the ability to tilt for maximum coverage & uniformity makes our roads & highways safer for all during any nighttime driving condition.

Required pole counts are significantly reduced thanks to wider on-center spacing & broad multi-lane coverage. Expensive pipe & wire costs are reduced by eliminating the use of secondary pole arms. Resulting in ~70-80%+ in combined energy & maintenance savings and reduced infrastructure costs over the full installed life.

An optional tool-free removable 'Power Door' provides added safety & even more maintenance savings. All serviceable electrical components can be removed and replaced in less than 15 seconds. Keeping field maintenance time in a lift truck on a busy freeway and a pole's downtime to an absolute minimum for everyone's safety.

Key Features, Details & Specs

- 30,000 to 65,000+ lumens w/ efficacies up to 190+ LPW
- True 400-1000+ watt HID replacement (70%+ energy savings)
- Performance Selector option for field adjustment of wattage & lumens
- Next-gen performance LED platform, Site & Area, Roadway optics & shielding
- 2700K, 3000K, 4000K & 5,000K CCT options available
- Weighs only 30-35 lbs. for safe single person installation
- Tool-free access with optional tool-free removable 'Power Door'
- 10kV integral surge standard, 20kV extreme surge option available
- Entire luminaire & optical assembly is rated IP66
- 50°C (122°F) high-ambient rating is standard
- Pass-thru convective cooling & integral thermal heatsink design
- A360 die-cast low copper content alloy (< 0.6%)
- 5,000-hour salt spray finish standard (coastal finish available)
- All exposed fasteners are stainless steel & captive
- 3G vibration rated suitable for high winds, overpasses, bridges, etc.
- Tested before & after rigorous 2-hour burn-in cycle
- Assembled in the USA at LEOTEK's San Jose, CA facility



'SF' slipfitter mount

Typical Applications

- Interstate Highways
- Municipal Streets
- Toll Plazas & Weigh Stations
- On/Off Ramps
- Rest Areas & General Parking
- Military Bases
- Business Parks & Campuses
- Bridges & Overpasses

Integral Tool-Free Access Design

Tool-free electrical access & removable hinged door w/ fixed open door prop design for ease of installation or maintenance (compatible w/ most lineman safety gloves)



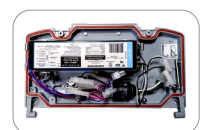
Hassle Free Installation & Maintenance Features

Optional terminal block, a self-centering tenon mount 'star' design assists with leveling to a tenon and a retrofit friendly quick mount pole arm (pole arm mount retrofits up to 5.25" bolt spacing for easy single person no drill install)

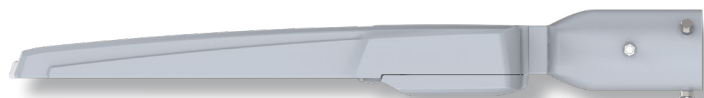


Tool-Free Removable Power Door Option

All serviceable electrical components mounted to a Power Door that is accessed & removable without tools in less than 15 seconds (undo MOLEX connectors, push two spring clips to unlock door, slide forward to remove)



VersaTEK Large LED Off-Roadway Series



'MAF' mast arm fitter mount

Ordering Information

Sample Catalog No. VT-LOR-216A-MV-50K7-WR-GY-P7-SFC-D4I-PCR7CR-TB-SP2-WL1-PWRD-SF277

Product	LED Code	Voltage	Color Temp CRI	Optical Distribution	Finish*	Performance Code	Mounting Options				
VT-LOR VersaTEK Large OFF-Roadway	216A 216 LEDs Gen-A	MV 120-277V HV 347-480V	27K7	2700K, 70CRI	NR	Narrow Roadway	BK	Black	P1	SF ³	Slipfitter w/ Wire Leads (in UL splice compartment)
			30K7	3000K, 70CRI	MR	Medium Roadway	DB1	Dark Bronze (RAL8019)	P2	SFH ⁴	Slipfitter w/ S/O Cord Exiting Housing Bottom (3-wire S/O cord, 16AWG, 4' exit length)
			40K7	4000K, 70CRI	WR	Wide Roadway	WH	White	P3	SFC ⁴	Slipfitter w/ S/O Cord Exiting Center of Fitter (3-wire S/O cord, 16AWG, 4' exit length)
			50K7	5000K, 70CRI	T2R	Type-2 (regular)	GY	Gray	P4	SPM	Universal Square Pole Arm Mount
			30K8 ¹	3000K, 80CRI	T2F	Type-2 (forward)	NA ²	Natural Aluminum	P5	RPM	Universal Round Pole Arm Mount
			40K8 ¹	4000K, 80CRI	T3R	Type-3 (regular)	CF ²	Coastal Finish	P6	MAF	Horizontal Mast Arm Fitter (compatible w/ 1-5/8", 2-3/8" and 3" O.D. tenons)
			50K8 ¹	5000K, 80CRI	T3F	Type-3 (forward)			P7	ASPM	Universal Square Pole Adjustable Arm Mount
					T4R	Type-4 (regular)				ARPM	Universal Round Pole Adjustable Arm Mount
					T4F	Type-4 (forward)					
					T5	Type-5					
		ORR	Optics Rotated Right								
		ORL	Optics Rotated Left								

*Consult factory for custom finish options, pricing & leadtimes.

Driver* & Control Options (*0-10V drivers are standard)		General Options		General Accessories*	
D4I ^{5,8}	DALI D4i Driver	AIM4X ¹³	Slipfitter Factory Pre-aimed at 45°	TBS-VTL	Top, Bottom Shield
TLR4U ^{5,6,8}	DALI 4-PIN Twist Lock Receptacle (upper housing receptacle location)	SS	Slipfitter Set Screw (replaces standard slipfitter set bolts)	LRS-VTL	Left, Right Side Shield
TLR4L ^{5,6,8}	DALI 4-PIN Twist Lock Receptacle (lower driver door receptacle location)	TFL	Tamper free latch (driver electrical door)	4SS-VTL	4-sided Shield
PCR7CR ^{5,11}	ANSI 7-wire Control Ready Receptacle	TB ³	3-position Terminal Block	BDS-VTL	Barn Door Shield
SC	Shorting Cap (factory installed)	SP2 ¹⁴	20kV/10kA Extreme Surge, Fail-to-On	VS-VTL	Poly Vandal Shield
LLPC ⁷	Long Life Photocontrol	LSSP2	20kV/10kA Extreme Surge, Fail-to-Off	WG-VTL	Wire Guard
PS ⁸	Field Adjustable Performance Selector	WL	Wattage Label, ANSI C136.15-2015 compliant	BLS-VTL	Enhanced Backlight Shield
PND1 ⁹	Part Night Dimming V1	WL1	Wattage Label, ANSI C136.15-2020 compliant	FSS-VTL	Front Side Shield
PND2 ⁹	Part Night Dimming V2	DSC	Optional Driver Door Safety Cable	CSS-VTL	Cul-de-sac Shield
PND3 ⁹	Part Night Dimming V3	PWRD	Power Door Option (tool-free removable door w/ serviceable electrical items)	BSK	Bird Deterrent Spider Kit
MSL3 ^{10,11}	Motion Sensor w/ L3 Lens	SFXXX ¹⁵	Single Fuse ('XXX' = specify 120, 277, 347V)	LLPCMV	Long Life Photocontrol MV
MSL7 ^{10,11}	Motion Sensor w/ L7 Lens	DFXXX ¹⁵	Double Fuse ('XXX' = specify 208, 240, 480V)	LLPCHV	Long Life Photocontrol HV
MSL3P ^{10,12}	Motion Sensor w/ L3 Lens w/ PCR7	5WSO ¹⁶	5-wire S/O Cord (16AWG, 4' length)	FSIR100	MS Configuration Tool
MSL7P ^{10,12}	Motion Sensor w/ L7 Lens w/ PCR7	SOXXYY ¹⁷	Special S/O AWG & Cord Length in Feet ('XX' = specify AWG 12, 14 or 16) ('YY' = specify S/O cord length 06, 08, 10, 15, 25)		
		BLS	Enhanced Back Light Shield (factory installed)		
		FSS	Front Side Shield (factory installed)		
		CSS	Cul-de-sac Shield (factory installed)		

*Accessories are ordered & shipped separately, not to be included in the luminaire's catalog number. (requires field installation)

- 80CRI option only available in 3000K, 4000K & 5000K CCTs and may have longer leadtimes (contact factory).
- Contact factory for 'NA-CF' Natural Aluminum Coastal Finish availability (extended leadtimes may apply).
- 'TB' Terminal Block is not available for use with the 'SF' Slipfitter mounting option.
- 'SFH' & 'SFC' options include 16AWG 3-wire S/O cord w/ a 4' exit length & last 6" of insulation removed.
- For full 100% D4i DALI functionality a 'PCR7CR', 'TLR4U' or 'TLR4L' must be selected w/ 'D4I' DALI driver option. DALI compatible node or sensor (by others).
- 'TLR4U' & 'TLR4L' twist lock receptacle options requires 'D4I' driver option to be selected.
- 'LLPC' requires 'PCR7CR' option to be selected (does not ship installed, included w/ luminaire).
- 'PS' Performance Selector enables field adjustable light output dimming control from specified Performance Code, not compatible with DALI (see pg.3 for details).
- 'PND' options only available w/ 'MV' 120-277V (contact factory for 'HV' 347-480V availability).
- Motion Sensor options only available w/ 'SPM', 'RPM' and 'MAF' horizontal mounting options.
- 'MSL3', 'MSL7' motion sensors require secondary controls for ON/OFF capability (ex. time clock or 0-10V by others). Contact factory for Motion Sensor availability w/ 'PCR7CR' control ready receptacle for use with wireless 7-PIN control node (by others).
- 'MSL3P', 'MSL7P' motion sensors includes a PCR7 photocontrol receptacle for use with a twist lock photocontrol for ON/OFF capability (for use with our 'LLPC' or photocontrol by others, PINS 6 & 7 are not wired for controls, not compatible w/ wireless nodes).
- Slipfitter options ship pre-aimed at 45° from the factory if specified.
- 10kV/5kA surge, fail-to-on is included standard ('SP1').
- For single or double fusing, 'XXX' must specify required voltage.
- 'WSO' only available with 'SFC' & 'SFH' options. Not available w/ 'PCR7CR', 'PS', 'PND', 'D4I', 'TLR4U', 'TLR4L' options.
- 'SOXXYY' option, 'XX' & 'YY' must specify S/O cord AWG & length.

Nominal Performance Data 4000K & 5000K

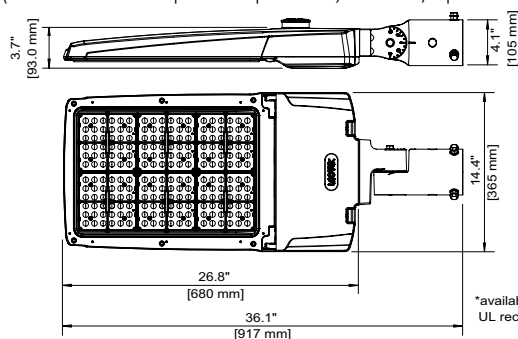
(IES Type-2R optic, 70CRI, 25°C ambient)

Performance Code	P1	P2	P3	P4	P5	P6	P7
Lumens ¹	34,402	39,347	48,464	52,923	57,295	61,580	65,674
System Wattage (W)	180	211	263	290	317	345	373
Efficacy (Lm/W)	191	186	184	182	181	178	176
HID Replacement	400-750W		1000W			1500W+	

1. Normal tolerance ± 10% due to factors including distribution type, LED bin variance, driver variance and ambient temperatures.

'SF' Slipfitter Mount Dimensions

(5-wire leads in UL splice compartment, shown w/ optional 'PCR7')



*available wire leads located inside 'SF' UL recognized splice compartment

* Please refer to VersaTEK product specification sheets for additional ordering information & product details *