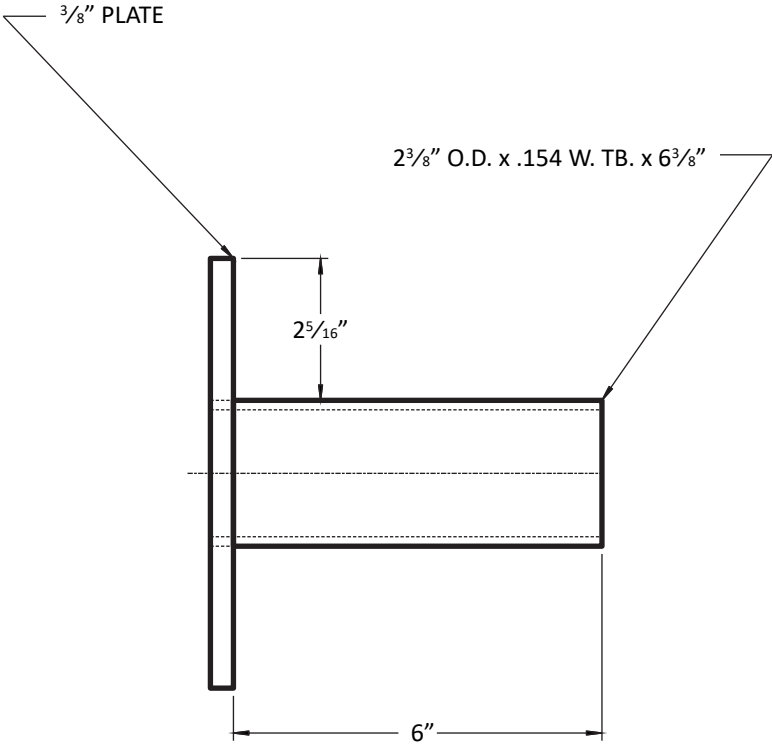
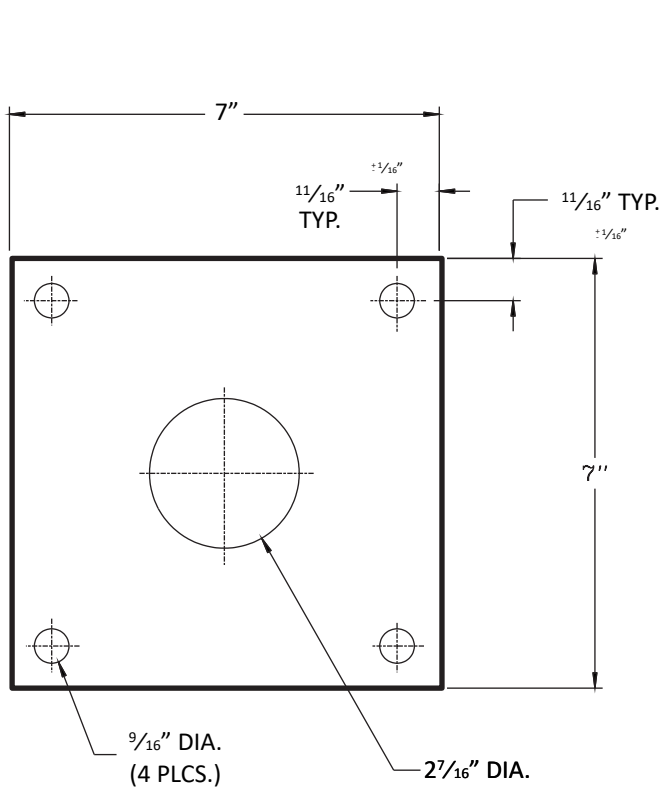


SafeGuard™ Utility Light Mounting Accessories



WALL BRACKET



NOTE: Installation hardware provided by installer.

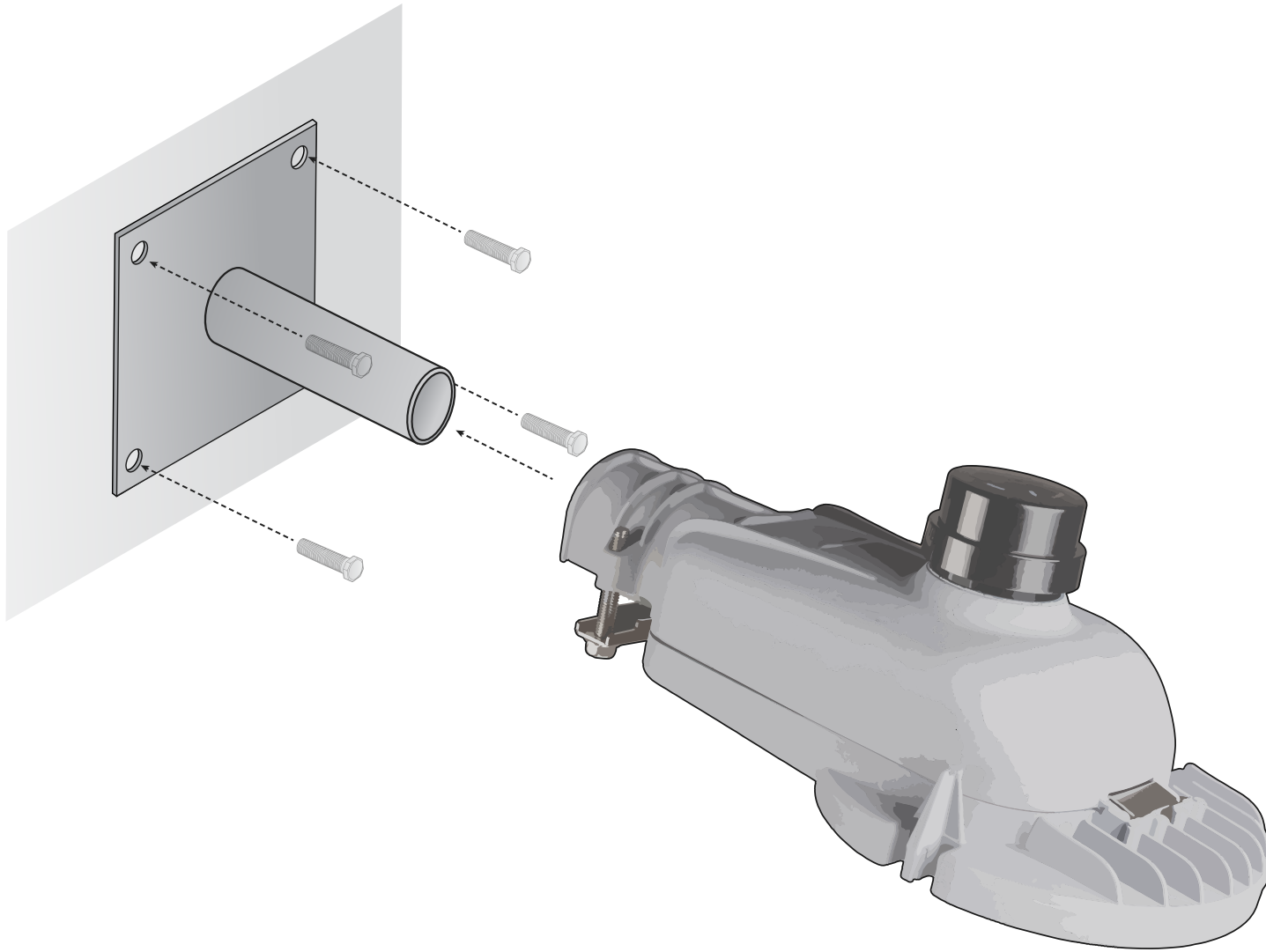
	Model No	Model Name
1	WBDB	WALL BRACKET - DARK BRONZE
2	WBBK	WALL BRACKET - BLACK
3	WBWH	WALL BRACKET - WHITE
4	WBGY	WALL BRACKET - GRAY

LEOTEK
LITE-ON GROUP

WALL HORIZONTAL ARM BRACKET

LEOTEK ELECTRONICS USA, LLC
1955 LUNDY AVENUE
SAN JOSE, CA 95131
PHONE: (408) 380-1788
FAX: (408) 518-8128

WALL BRACKET



NOTE: Installation hardware provided by installer.

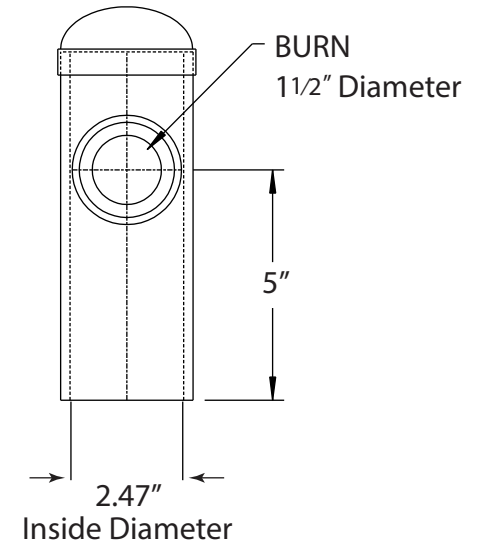
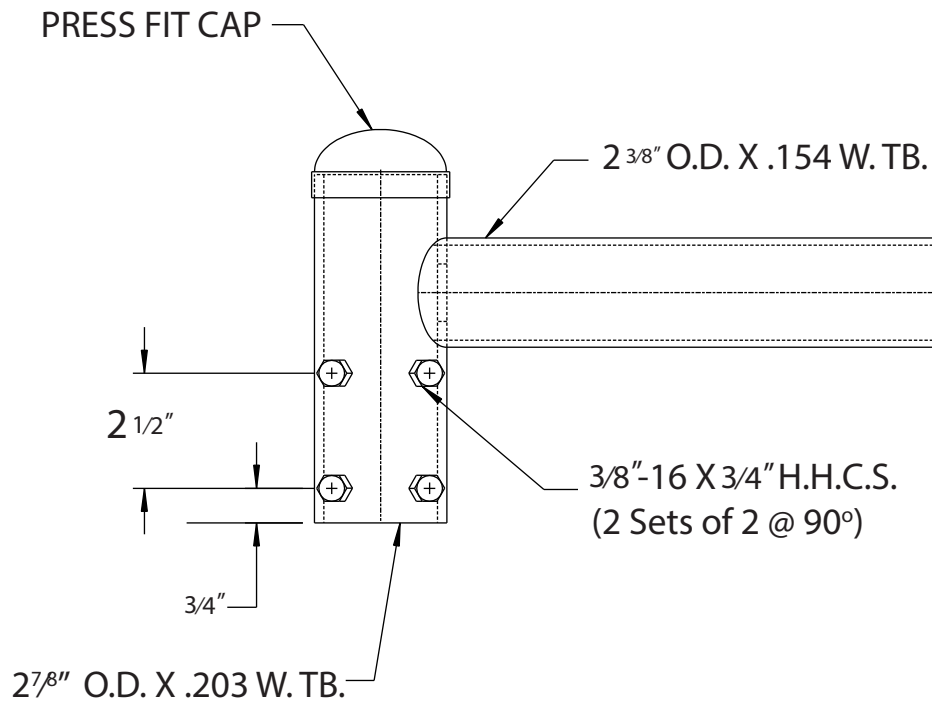
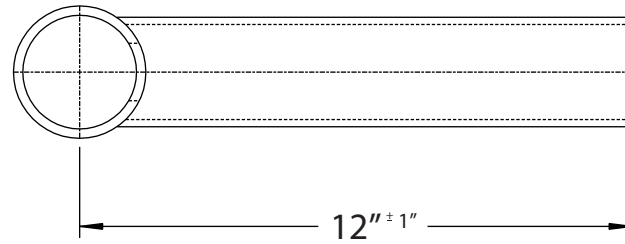
	Model No	Model Name
1	WBDB	WALL BRACKET - DARK BRONZE
2	WBBK	WALL BRACKET - BLACK
3	WBWH	WALL BRACKET - WHITE
4	WBGY	WALL BRACKET - GRAY

LEOTEK[®]
LITE-ON GROUP

WALL HORIZONTAL ARM BRACKET

LEOTEK ELECTRONICS USA, LLC
1955 LUNDY AVENUE
SAN JOSE, CA 95131
PHONE: (408) 380-1788
FAX: (408) 518-8128

POLE TOP BRACKET



NOTES:

1. Slip fits 2 3/8" tenon
2. Mounting Hardware provided with bracket: 3/8"-16 X 3/4" H.H.C.S. (2 SETS OF 2 @ 90°)
3. Specify color when ordering (**GY**: Gray, **DB**: Dark Bronze, **BK**: Black).

Lorem ipsum

ANSI C136.21 Compliant

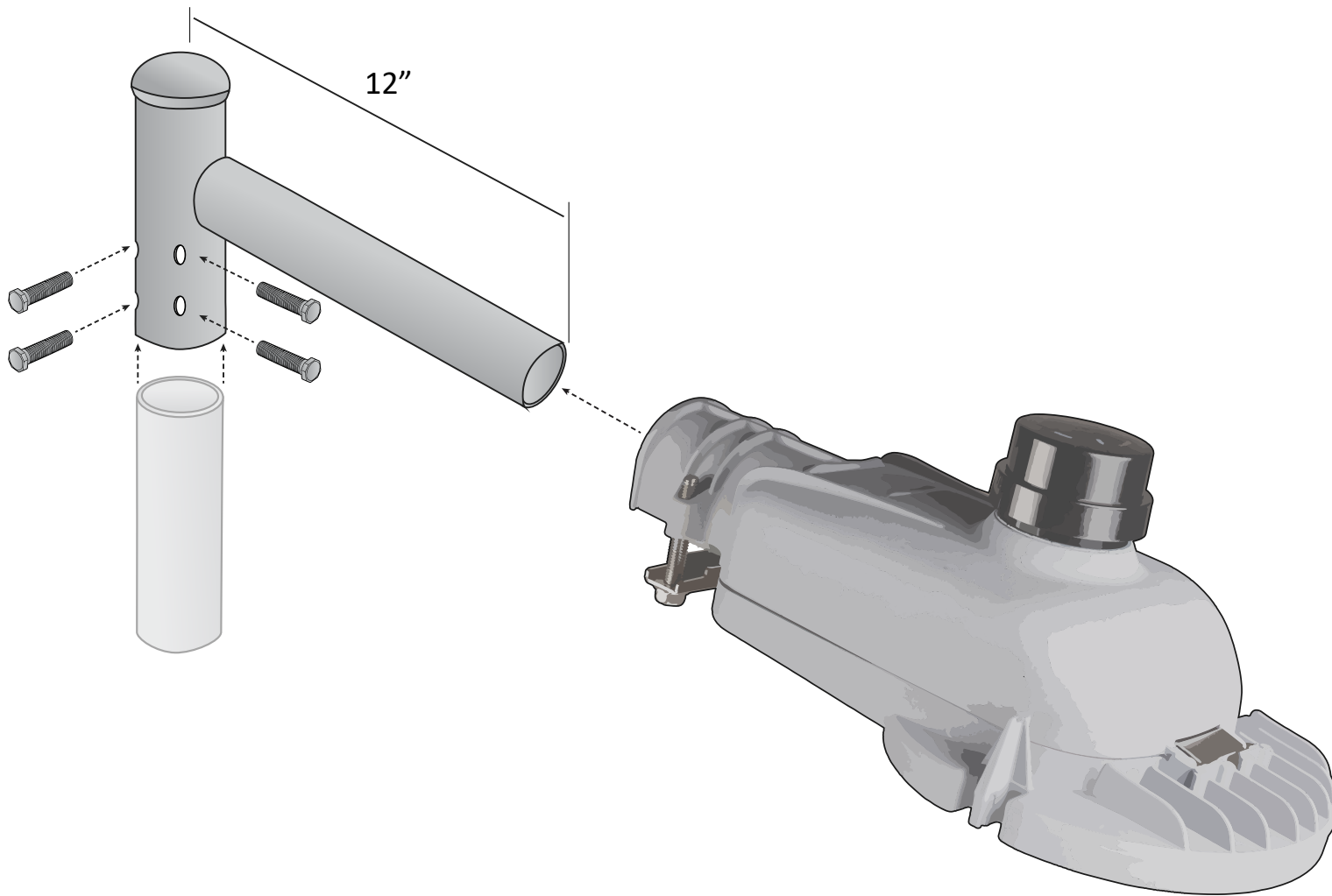
Model No	Model Name
PTB	Pole Top Bracket



PTB Pole Top Bracket

LEOTEK ELECTRONICS USA, LLC
 1955 LUNDY AVENUE
 SAN JOSE, CA 95131
 PHONE: (408) 380-1788
 FAX: (408) 518-8128

POLE TOP BRACKET



NOTES:

1. Slip fits 2 3/8" tenon
2. Mounting Hardware provided with bracket: 3/8"-16 X 3/4" H.H.C.S. (2 SETS OF 2 @ 90o)
3. Specify color when ordering (**GY**: Gray, **DB**: Dark Bronze, **BK**: Black).

ANSI C136.21 Compliant

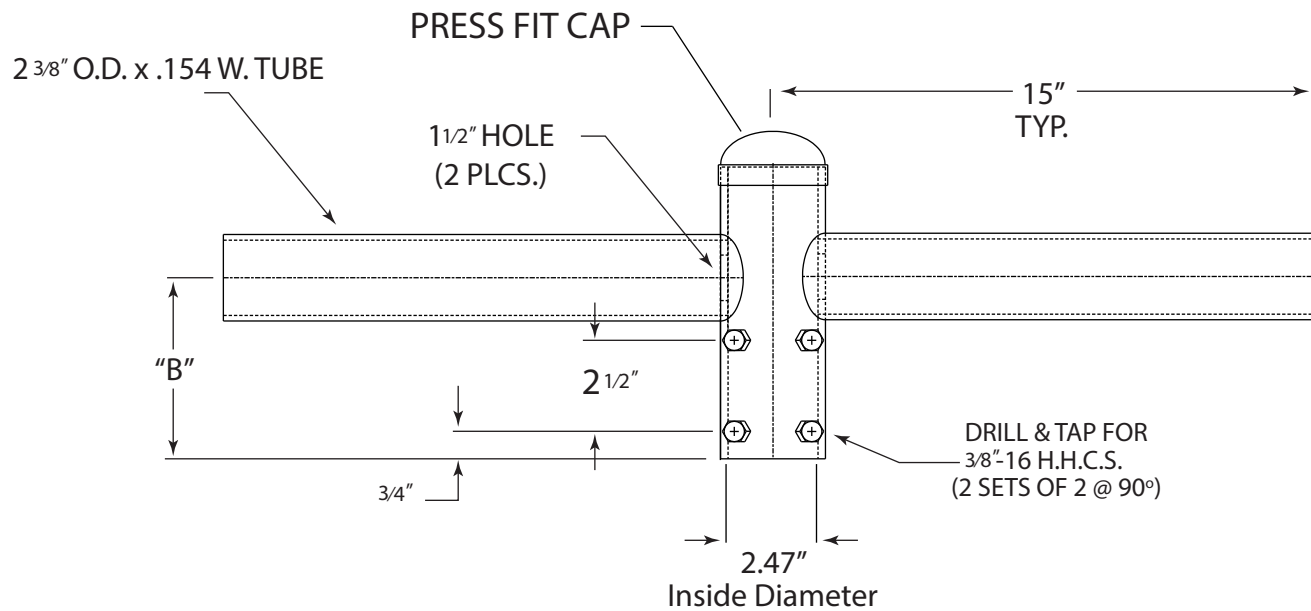
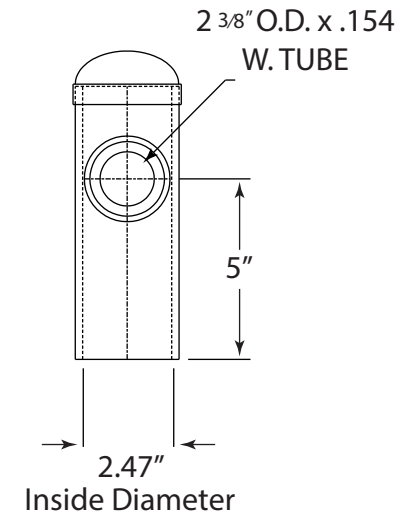
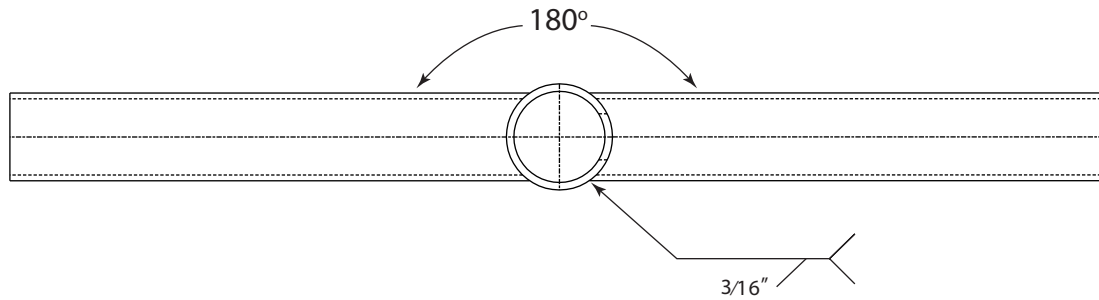
Model No	Model Name
PTB	Pole Top Bracket



PTB Pole Top Bracket

LEOTEK ELECTRONICS USA, LLC
 1955 LUNDY AVENUE
 SAN JOSE, CA 95131
 PHONE: (408) 380-1788
 FAX: (408) 518-8128

POLE TOP BRACKET - TWIN ARM



- NOTES:
1. Slip fits 2 3/8" tenon
 2. Mounting Hardware provided with bracket: 3/8"-16 X 3/4" H.H.C.S. (2 SETS OF 2 @ 90°)
 3. Specify color when ordering (**GY**: Gray, **DB**: Dark Bronze, **BK**: Black).

ANSI C136.21 Compliant

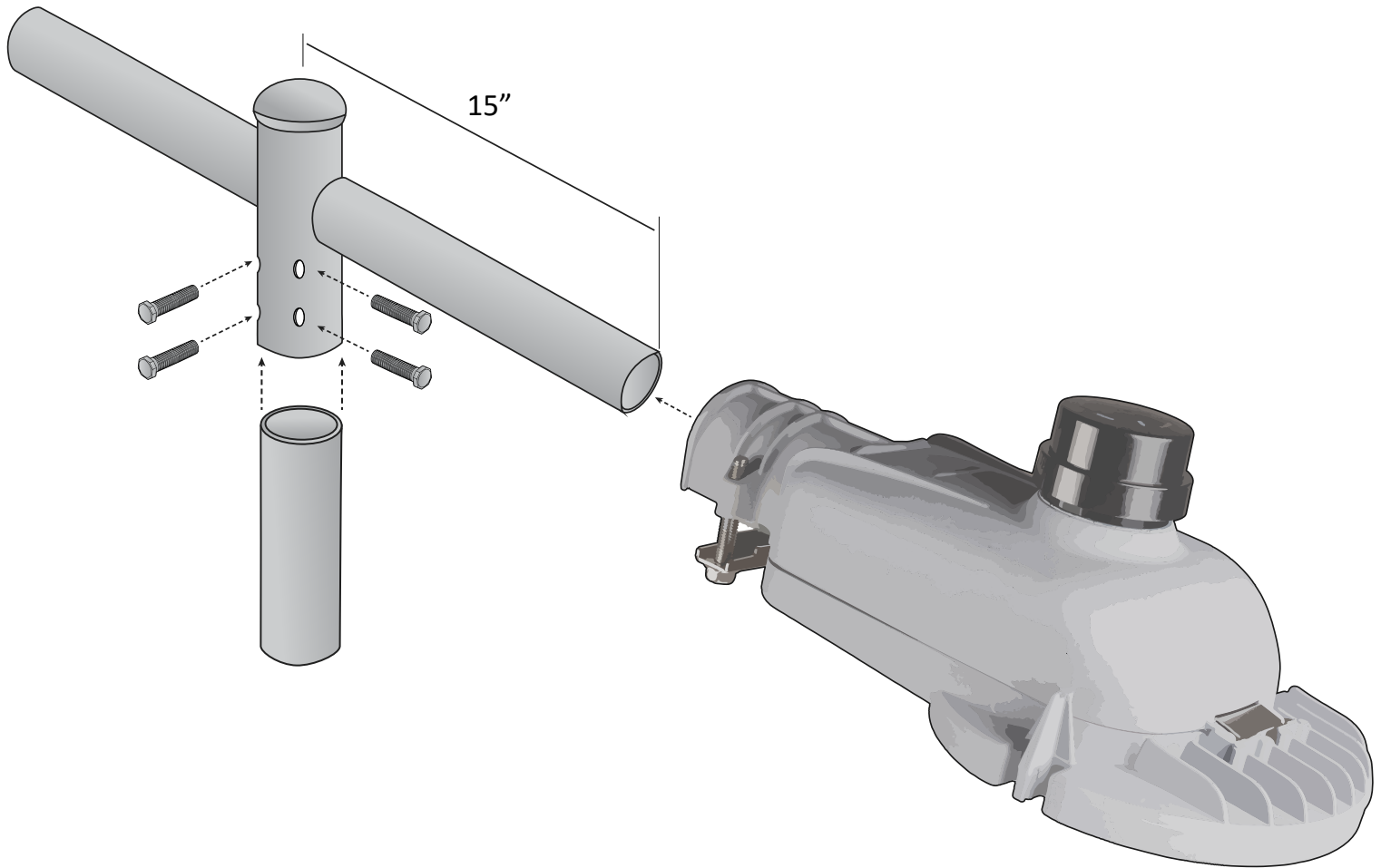
Model No	Model Name
PTB2	Pole Top Bracket - Twin Arm

LEOTEK
LITE-ON GROUP

PTB Pole Top Bracket - Twin Arm

LEOTEK ELECTRONICS USA, LLC
1955 LUNDY AVENUE
SAN JOSE, CA 95131
PHONE: (408) 380-1788
FAX: (408) 518-8128

POLE TOP BRACKET - TWIN ARM



NOTES:

1. Slip fits 2 3/8" tenon
2. Mounting Hardware provided with bracket: 3/8"-16 X 3/4" H.H.C.S. (2 SETS OF 2 @ 90o)
3. Specify color when ordering (**GY**: Gray, **DB**: Dark Bronze, **BK**: Black).

ANSI C136.21 Compliant

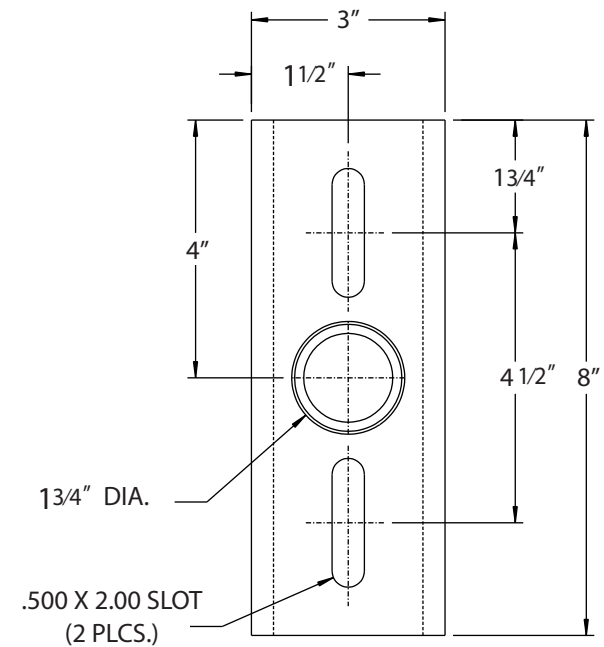
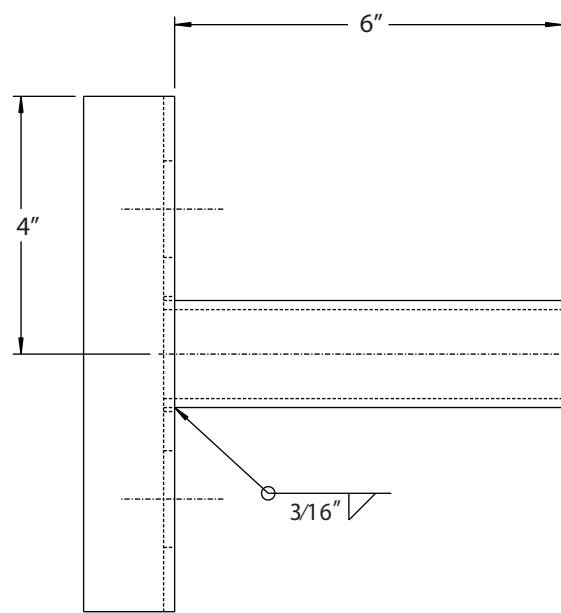
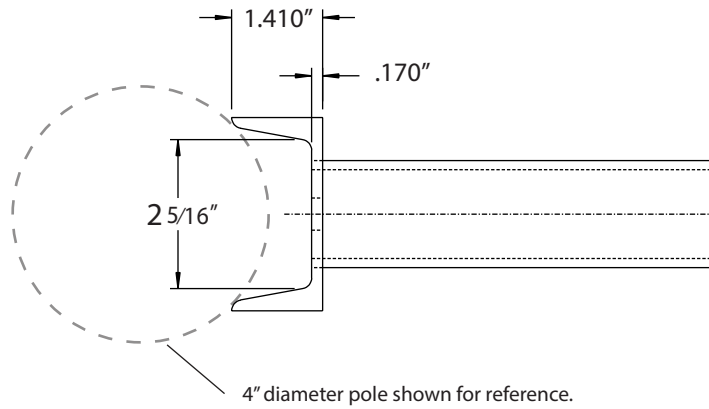
Model No	Model Name
PTB2	Pole Top Bracket - Twin Arm



PTB Pole Top Bracket - Twin Arm

LEOTEK ELECTRONICS USA, LLC
 1955 LUNDY AVENUE
 SAN JOSE, CA 95131
 PHONE: (408) 380-1788
 FAX: (408) 518-8128

ROUND POLE BRACKET



NOTES:

1. ANSI C136.13 Compliant
2. Compatible with pole diameters from 3" to 6"
3. Installation hardware provided by installer.
4. Specify color when ordering (**GY**: Gray, **DB**: Dark Bronze, **BK**: Black).

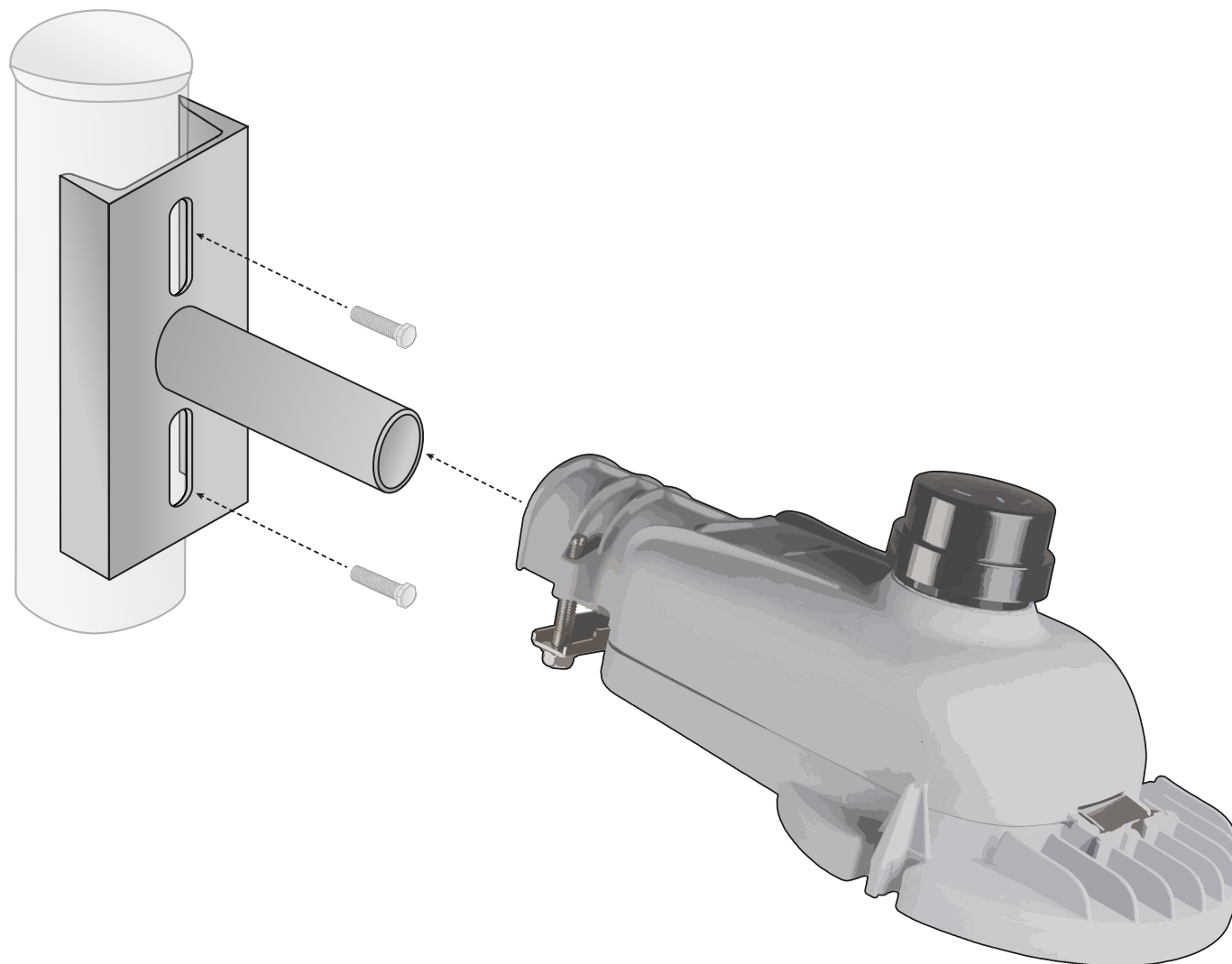
Model No	Model Name
RPB	Round Pole Bracket

LEOTEK[®]
LITE-ON GROUP

RPB Round Pole Bracket

LEOTEK ELECTRONICS USA, LLC
1955 LUNDY AVENUE
SAN JOSE, CA 95131
PHONE: (408) 380-1788
FAX: (408) 518-8128

ROUND POLE BRACKET



NOTES:

1. ANSI C136.13 Compliant
2. Compatible with pole diameters from 3" to 6"
3. Installation hardware provided by installer.
4. Specify color when ordering (**GY**: Gray, **DB**: Dark Bronze, **BK**: Black).

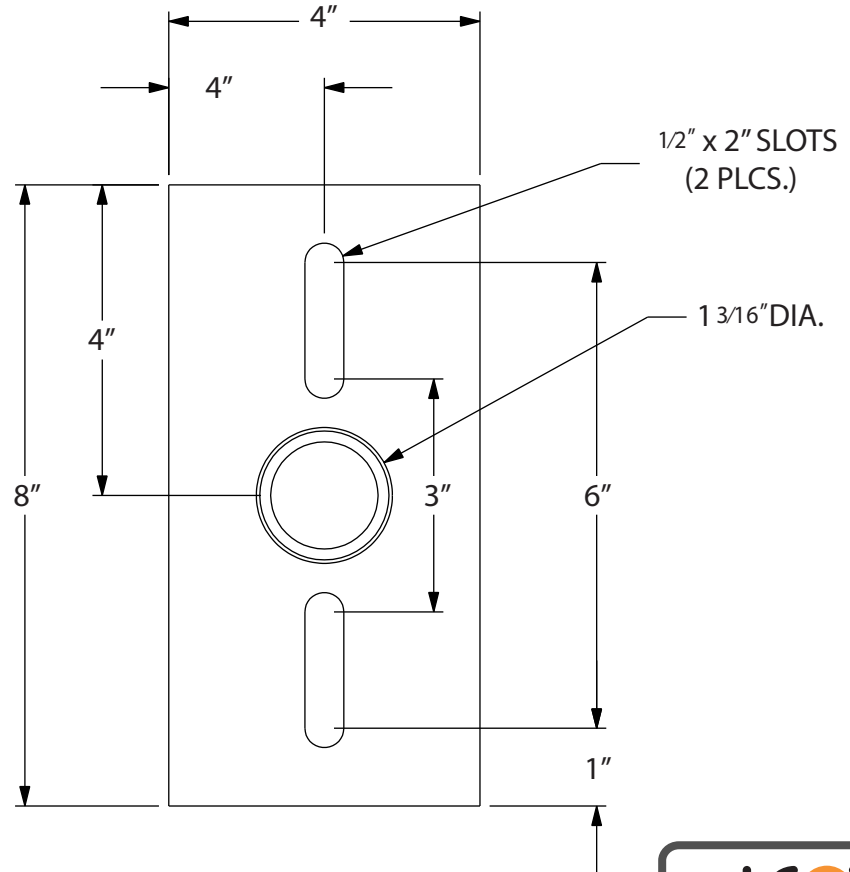
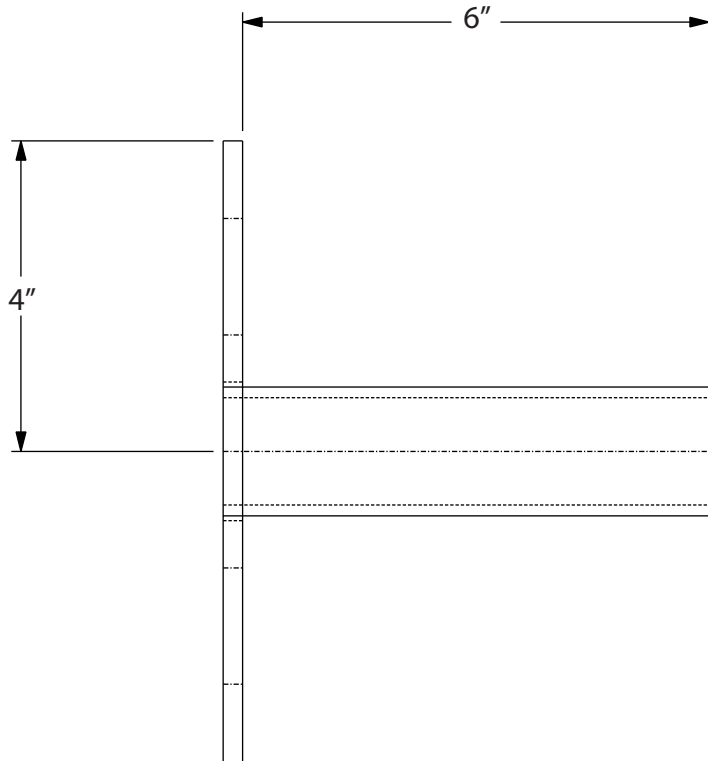
Model No	Model Name
RPB	Round Pole Bracket

LEOTEK[®]
LITE-ON GROUP

RPB Round Pole Bracket

LEOTEK ELECTRONICS USA, LLC
1955 LUNDY AVENUE
SAN JOSE, CA 95131
PHONE: (408) 380-1788
FAX: (408) 518-8128

SQUARE POLE BRACKET



- NOTES:
1. Installation hardware provided by installer.
 2. Specify color when ordering (**GY**: Gray, **DB**: Dark Bronze, **BK**: Black).

ANSI C136.13 Compliant

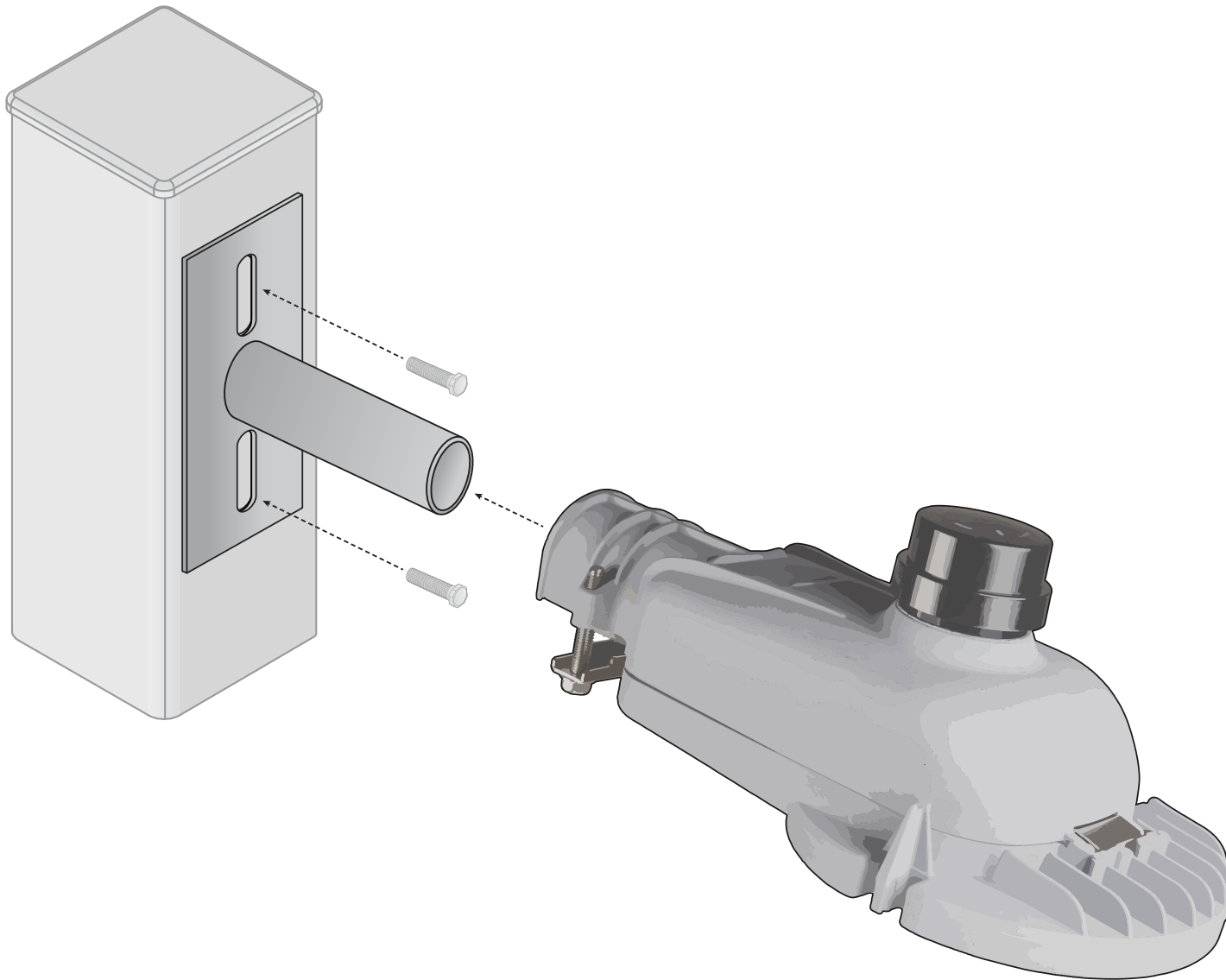
Model No	Model Name
SPB	SQUARE POLE BRACKET

LEOTEK[®]
LITE-ON GROUP

SPB Square Pole Bracket

LEOTEK ELECTRONICS USA, LLC
1955 LUNDY AVENUE
SAN JOSE, CA 95131
PHONE: (408) 380-1788
FAX: (408) 518-8128

SQUARE POLE BRACKET



NOTES:

1. Installation hardware provided by installer.
2. Specify color when ordering (**GY**: Gray, **DB**: Dark Bronze, **BK**: Black).

ANSI C136.13 Compliant

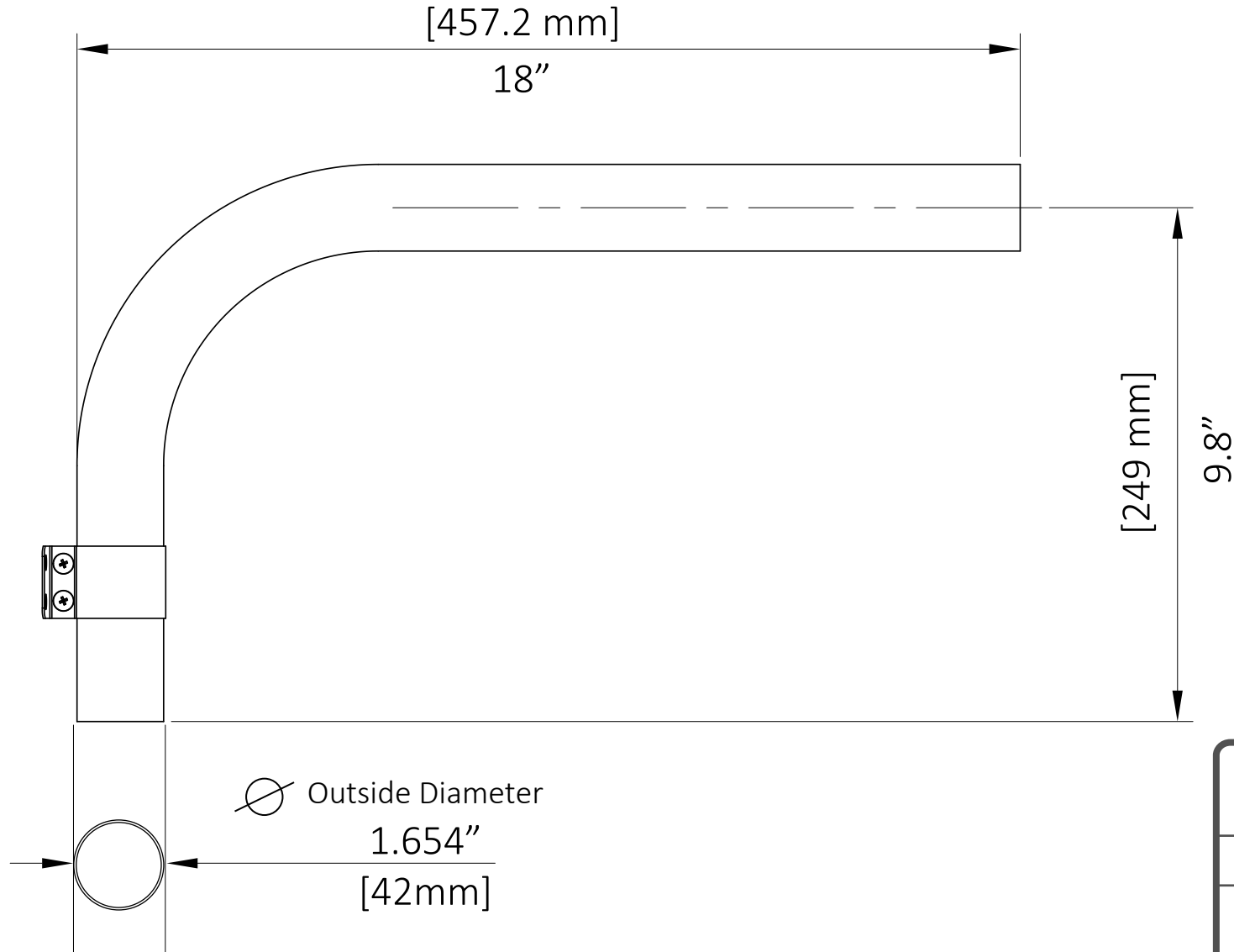
Model No	Model Name
SPB	SQUARE POLE BRACKET

LEOTEK[®]
LITE-ON GROUP

SPB Square Pole Bracket

LEOTEK ELECTRONICS USA, LLC
1955 LUNDY AVENUE
SAN JOSE, CA 95131
PHONE: (408) 380-1788
FAX: (408) 518-8128

18" Pipe Arm Accessory



Model No	Model Name
PA18	18" Pipe Arm Accessory

LEOTEK[®]
LITE-ON GROUP

18" Pipe Arm Accessory

LEOTEK ELECTRONICS USA, LLC
1955 LUNDY AVENUE
SAN JOSE, CA 95131
PHONE: (408) 380-1788
FAX: (408) 518-8128