

LED 12" Pedestrian Signal Module Incandescent Look CD/HM Series Indications

Leading the LED Industry Since 1992

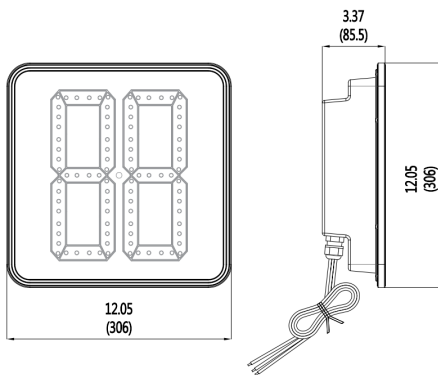
With over 7,000,000 units installed globally

Superior Performance and Reliability

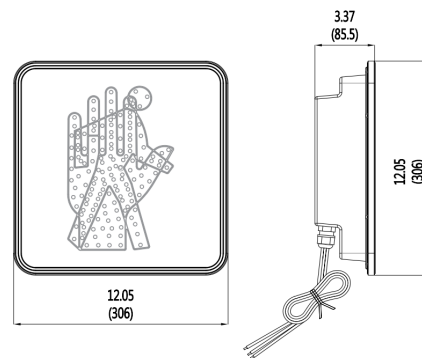
- Intertek ETL verified
- Multiple electrical connections available for specific applications
- Overmolded electrical connectors provide fully-weatherized seal
- Easy installation into existing signal housings
- Patented innovative optical technology
- Wider viewing angle and enhanced uniformity
- Maintains 70% of the initial lumen intensity after 100,000 hours of operation
- Robust hard-coated and UV-stabilized polycarbonate lens for increased longevity against the elements
- Excellent moisture and dust resistance through complete O-ring sealing
- Utilizes constant current source to maintain consistent light output
- Superior thermal management
- Energy efficient and environmentally friendly
- 5-year limited warranty

Mechanical Dimensions [in(mm)]

CD, WM, EH, HM Digit Height - 9"



CD Series



HM Series



LED 12" Pedestrian Signal Module

Incandescent Look CD/HM Series Indications

Model Specifications and Ordering Options

LED Color/Type	Portland Orange ● /AlInGaP, Lunar White ○ /InGaN		
Operating Temperature	-40°F to 165°F (-40°C to 74°C)	Total Harmonic Distortion (THD):	<20%
Operating Voltage:	80 - 135Vac	Turn-On/Turn-Off Time:	<75msec
Power Factor:	> 0.90	Turn-Off Voltage:	>35Vac

Model Number and Color	Description	Wattage Drawn	Standard
12 inch Countdown			
TSL-PED-12-CDS-IL1-A1-V1	Countdown Digits - Portland Orange Countdown	6.2W	ITE PTCSI-LED Signal Modules - Aug 4, 2010 / ETL ¹
12 inch Pedestrian			
TSL-PED-12-HMS-IL1-A1-V1	Overlay Full Symbol – Portland Orange Hand / Lunar White Man	Hand – 6.2W Man – 6.2W	ITE PTCSI-LED Signal Modules - Aug 4, 2010 / ETL ¹

1 Intertek ETL Verified

Standard Conformance

- FCC Compliant for Electrical Noise
- MIL-STD-810F Moisture Resistant
- MIL-STD-8a83 Mechanical Vibration
- NEMA TS2 Transient Voltage Protection over 2000V