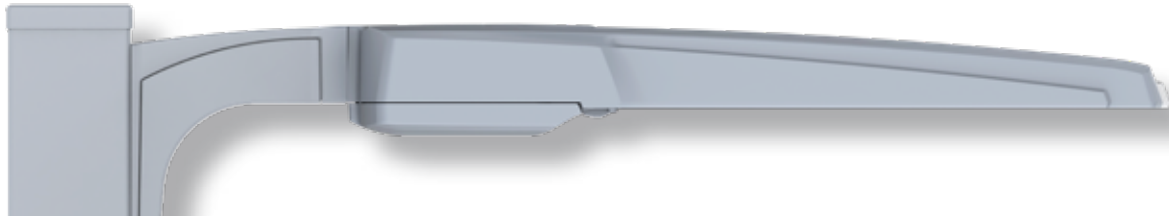


LEOTEK®



VersaTEK Series

Performance LED Flood, Site & Area and OFF-Roadway Solutions



Versatility by Design

LEOTEK's VersaTEK Series was designed for ultimate project versatility thanks to its perfect combination of power, performance, features and durability for any Flood, Site & Area and OFF-Roadway application.

Engineered with the latest LED and driver technologies, VersaTEK luminaires deliver up to 65,500 lumens & efficacies as high as 194 LPW. From its optional field adjustable performance selector, 14 mounting options, wide range of performance optics & shield options, standard 50°C high-ambient & IP66 design and tool-free electrical access, while weighing only 30-38 lbs for safe & easy installation. VersaTEK is the true definition of 'Versatility by Design'.



*"VersaTEK from LEOTEK
is my one stop shop for a
wide range of applications,
simplifying our fixture
asset management while
minimizing complexity
for my work crews..."*

~ Senior QPL Engineer



Floodlighting

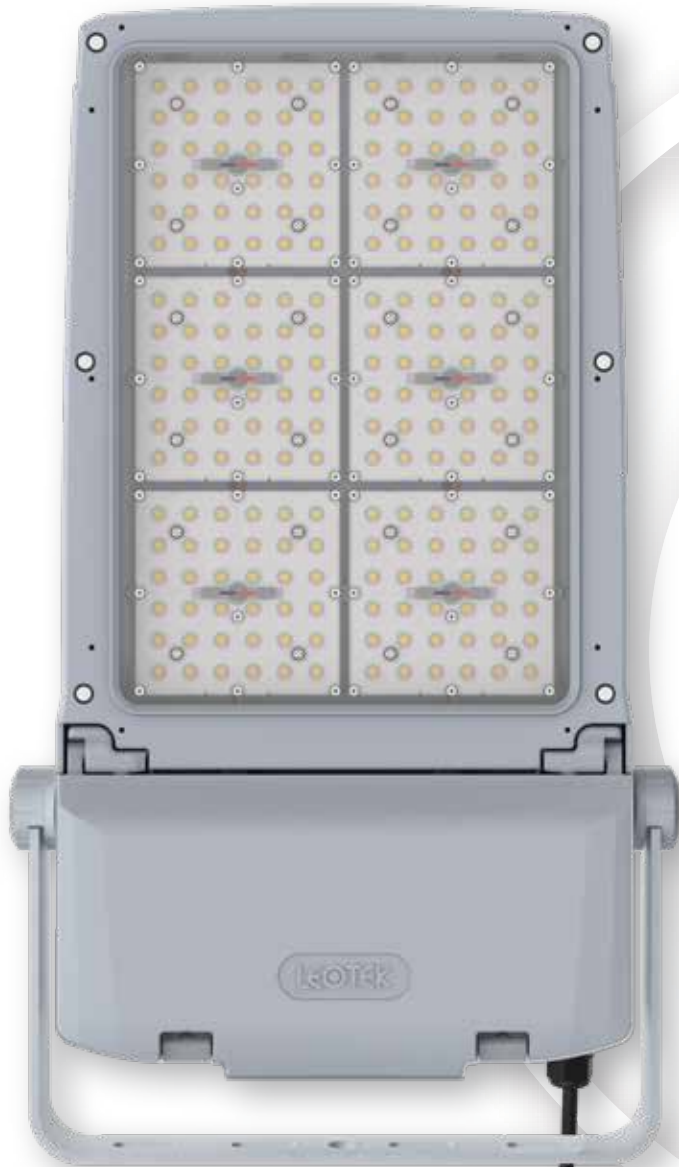
The VersaTEK Floodlight Series is an extremely durable & performance focused solution for both specification & budget minded applications for demanding Utility, Municipality, DOT & Commercial project applications.

A value-driven solution for any flood application where the VersaTEK Flood's product reliability & performance is paired with lineman-friendly installation & hassle-free maintenance design to help provide the lowest total cost of ownership possible over an expected installed service life of 10-20 years.


Whether you need to light a loading dock, large open spaces, to accenting a building facade or structure like a bridge, the VersaTEK Flood has a wide range of mounting and performance optical solutions to get the job done right. Three slipfitters, yoke, trunnion and adjustable wall or direct to pole mounting options coupled with wide selection of all-purpose & performance flood optics to design with, making this floodlight ideal for new construction or as a retrofit solution providing ~70-80%+ in combined energy & maintenance savings vs. legacy HID alternatives.



'SF' slipfitter mount
w/ UL recognized splice box



'YK' yoke mount

A large industrial facility, possibly a refinery or chemical plant, is shown at night. The scene is filled with complex structures, pipes, and towers, all illuminated by various lights. In the foreground, there are large, cylindrical storage tanks. A large, semi-transparent orange circle is overlaid on the right side of the image, containing a testimonial in white text.

*"I can light everything
from my equipment storage
yards, loading docks and
electrical substations for
safety & security...VersaTEK
has every design option
I need & more..."*

~ Facilities Manager

OFF-Roadway Lighting



'SF' slipfitter mount
w/ UL recognized splice box



The VersaTEK OFF-Roadway Series provides elite performance illumination & safety for a wide range of offset roadway, interstate highway applications & more, while significantly reducing infrastructure expenses over the installed life of the system.

Providing a safety-focused solution for the drivers on your busy roads & highways and the crews that install & maintain the luminaires year-round. VersaTEK's OFF-Roadway Series performance optics with the ability to tilt for maximum coverage & uniformity makes our roads & highways safer for all during any nighttime driving condition.

Required pole counts are significantly reduced thanks to wider on-center spacing & broad multi-lane coverage. Expensive pipe & wire costs are reduced by eliminating the use of secondary pole arms. Resulting in ~70-80%+ in combined energy & maintenance savings and reduced infrastructure costs over the full installed life.

An optional tool-free removable 'Power Door' provides added safety & even more maintenance savings. All serviceable electrical components can be removed and replaced in less than 15 seconds. Keeping field maintenance time in a lift truck on a busy freeway and a pole's downtime to an absolute minimum for everyone's safety.

Site & Area Lighting



'SPM' universal square pole arm mount



"My workers feel safe when leaving the office at the end of the day as our entire parking lot is well lit with no dark areas or shadows..."

~Retail General Manager

The VersaTEK Site & Area Series is the perfect blend of architectural design, power, performance & reliability with a simple retrofit friendly design delivering up to 65,500 lumens weighing in at only 30 lbs.

For end users looking for value friendly initial costs combined with significant energy & maintenance savings resulting in ~70-80%+ combined savings over the course of its installed life versus traditional HID luminaires, VersaTEK's Site & Area Series is your clear choice for optimal payback & ROI.

With a clean free flowing low-profile design, the pole arm mount blends seamlessly into any environment or application. Performance factory rotatable optics & multiple field installable shield options allows for extremely uniform illumination that looks amazing while providing visual safety & trespass control for demanding installations.

Pair this with a wide range of fixture & control options which includes motion sensors, DALI D4i drivers, D4i receptacle options and part night dimming control capabilities in an easy to retrofit lightweight design for safe & quick single-person installation.



Specs at a Glance

Engineered to meet the most demanding performance, safety, reliability and core functional specifications in today's demanding Utility, Municipal, DOT and Commercial outdoor lighting markets & applications, the VersaTEK Series from LEOTEK is ready to lead where our competition can only follow.

Whether it's the harsh winter climate of Minnesota, the sweltering year round heat of central Texas or the harsh salt air of Florida's gulf coast, VersaTEK luminaires are engineered to last. Thanks in part to its standard 50°C high-ambient certification, full luminaire IP66 design, 3G vibration rating, A360 die-cast low copper alloy (< 0.6%) and robust coastal paint finish options.

Include the fact that every luminaire that LEOTEK assembles in the USA at our San Jose facility is tested both before & after a rigorous 2-hour burn-in cycle before shipping. You can be rest assured that you are receiving one of the most reliable outdoor lighting solutions available today with an expected installed service life of 10-20 years.



'MAF' mast arm fitter mount





Key Features, Details & Specs

- 29,000 to 65,500 lumens w/ efficacies up to 194 LPW
- True 400-1000+ watt HID replacement (*70%+ energy savings*)
- 14 mounting options suitable for any design application
- High performance Flood, Site & Area, OFF-Roadway optics
- 2700K, 3000K, 4000K & 5,000K CCT options available
- Weighs less than 38 lbs. for safe single person installation
- 6kV integral surge standard, 10kV and 20kV surge options available
- Entire luminaire & optical assembly is rated IP66
- 50°C (122°F) high-ambient rating is standard
- Pass-thru convective cooling & integral thermal heatsink design
- A360 die-cast low copper content alloy (< 0.6%)
- 5,000-hour salt spray finish standard (*coastal finish available*)
- All exposed fasteners are stainless steel & captive
- IK10 rated glass lens (*for flood configurations*)
- 3G vibration rated suitable for high winds, overpasses, bridges, etc.
- Tool-free access w/ optional tool-free removable 'Power Door'
- Tested before & after rigorous 2-hour burn-in cycle
- Assembled in the USA at LEOTEK's San Jose, CA facility

14 Mounting Options



'SF' Slipfitter #1

w/ 5-wire leads located inside
UL splice compartment



'SFH' Slipfitter #2

S/O cord exits from housing
3-wire, 16AWG, 4' length



'SFC' Slipfitter #3

S/O cord exits from center of fitter
3-wire, 16AWG, 4' length

(compatible w/ 1-5/8", 2-3/8" & 3" O.D. tenons, pre-aimed @ 45° tilt option available)



**'SPM' Square & 'RPM' Round
Pole Arm Mount**

can retrofit up to 5-1/4" max bolt spacing
(allows for single person installation)



**'ASPM' & 'ARPM' Universal Adjustable
Square & Round Pole Mount**

direct mounts to pole w/ tilt adjustability
(no additional tenon or mounting accessory required)

Application design versatility with fourteen mounting options to choose from.

With several full cutoff pole, mast arm, wall mount options and multiple adjustable tilt options, the VersaTEK Series from LEOTEK is one of the most comprehensive & versatile outdoor design solutions available in the market today for any application.



'TR' Trunnion Mount

w/ S/O cord
3-wire, 16AWG, 4' length



'YK' Yoke Mount

w/ S/O cord
3-wire, 16AWG, 4' length



'MAF' Mast Arm Tenon Fitter

for horizontal tenon mounting, thru bolt included
(compatible w/ 1-5/8", 2-3/8" & 3" O.D. tenons)



'WM' Wall Mount Recessed J-Box Installation
'AWM' Adjustable Wall Mount Recessed J-Box

direct mounts to 3" & 4" square/octagonal recessed J-box
(J-box provided by others)



'WMSC' Wall Mount
'AWMSC' Adjustable Wall Mount w/ Surface Conduit J-Box

includes direct to surface mount conduit J-box
(w/ (4) 3/4" NPT thru-wire conduit taps & plugs, one on each side)

Key Product Features

Integral Tool-Free Access Design

Tool-free electrical access & removable hinged door w/ fixed open door prop design for ease of installation or maintenance
(compatible w/ most lineman safety gloves)



Slipfitter w/ UL Splice Box & Self-Centering Design

Includes integral UL recognized splice compartment and internal 'star' detail to assist with self-centering & leveling during installation
(w/ 5-wire lead access & WAGOs for ease of installation, compatible w/ 1-5/8", 2-3/8" & 3" O.D. tenons)



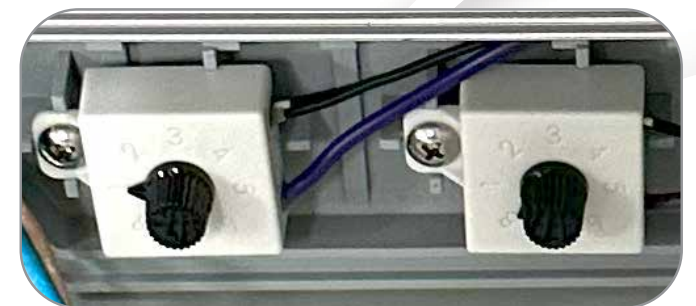
3-Position Terminal Block 'TB' Option

For ease of install/maintenance & increased safety, improved wire management & robust product life cycle operation
(includes line, neutral & ground)



Performance Selector 'PS' Option

Allows for quick & easy field adjustment of wattage, lumen output and reduced SKU complexity
(fixed position dial ensures correct output setting)



Slim yet **MIGHTY!**



With a max weight less than 38 lbs. (pole arm mount shown 30 lbs.) and a low-profile design of 3.7", the high wattage VersaTEK large series can deliver up to 65,500 lumens with efficacies as high as 194 LPW. Making single person installation safe & easy vs. many of our competitor's solutions that weigh 50 lbs. or more with similar performance

Pass-Thru Convective Cooling

(3) integral cooling slots allows ambient air to flow freely thru the luminaire for enhanced thermal management
(maximizes lifetime of electrical components & lumen maintenance)



Tool-Free Removable Power Door Option 'PWRD'

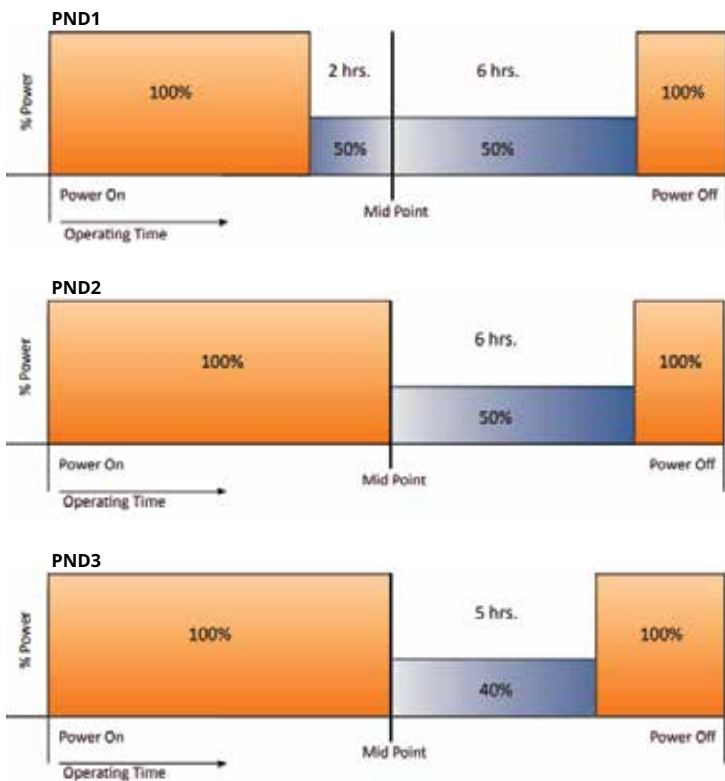
All serviceable electrical components are mounted to a tool-free removable Power Door that can be removed in less than 15 seconds to safely service on the ground or replace in seconds

(undo MOLEX connectors, push two spring clips inward to unlock door, slide the door forward & lift to remove)

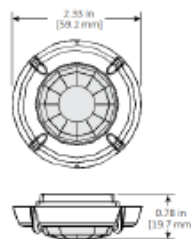


Controls Options

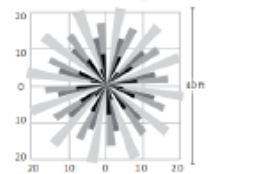
VersaTEK is available with 'Part Night Dimming' time based standalone controls and integral motion sensor controls options for additional energy savings and local code compliance. DALI D4i certified drivers are also available. *(contact LEOTEK for connected wireless control solution availability)*



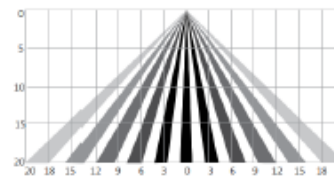
MSL3 Lens Dimensions



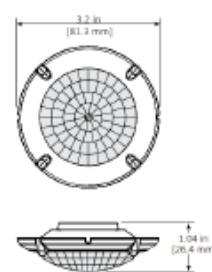
MSL3 Lens Coverage Top View



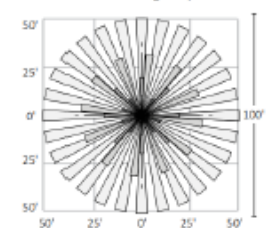
MSL3 Lens Coverage Side View



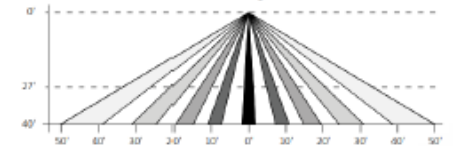
MSL7 Lens Dimensions



L7 Lens Coverage Top View



L7 Lens Coverage Side View



Motion Sensor Options For Energy Savings & Code Compliance

Integral motion sensor option is available for all horizontal fixed position luminaire configurations to dim light levels to 50% during unoccupied periods for energy savings and local code compliance ('MSL3' lens option suitable for 20' max height, 'MSL7' lens option for 40' max height, 5-minute standby time standard)

Optional Part Night Dimming Control Options

Simple integral and autonomous dimming options available in (3) different profiles will dim the luminaire based on the LED driver's continuous monitoring of the night's mid-point to account for seasonal changes (can be paired with motion sensor options to override the dimming profile for added safety)



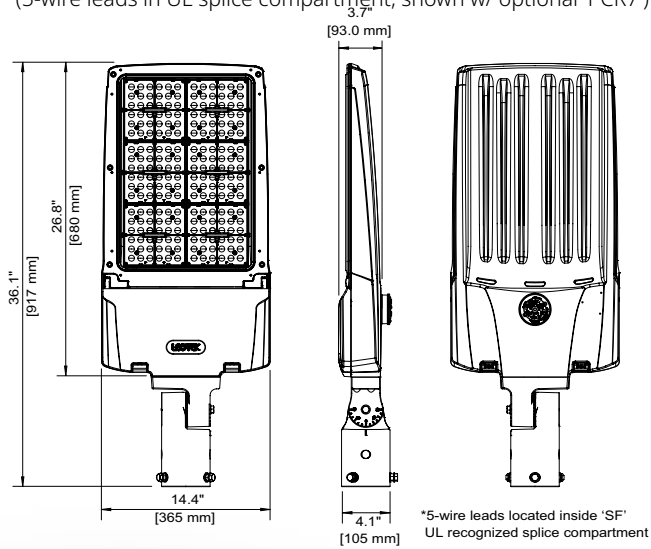
'FSIR100' Handheld Remote Program Tool

IR motion sensor configuration tool for quick & easy field programming of sensor settings as required

Dimensional Data

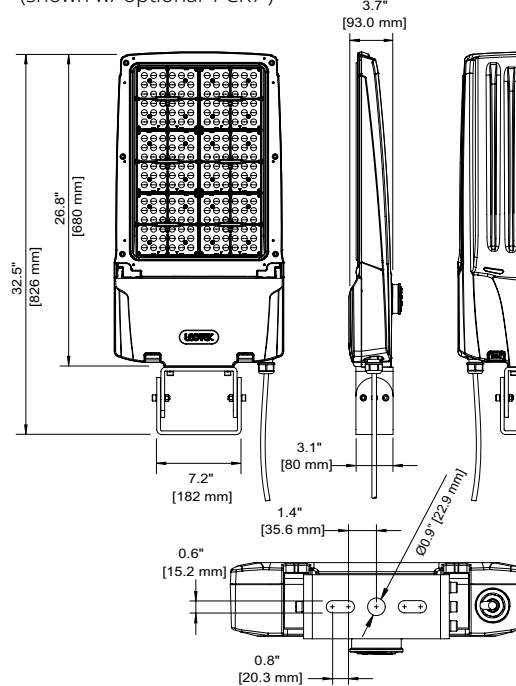
'SF' Slipfitter Mount

(5-wire leads in UL splice compartment, shown w/ optional 'PCR7')



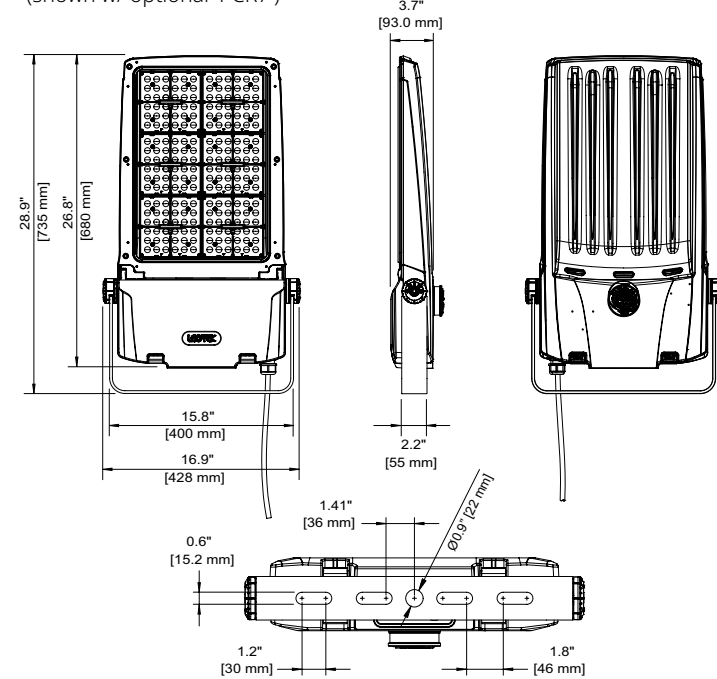
'TR' Trunnion Mount*

(shown w/ optional 'PCR7')



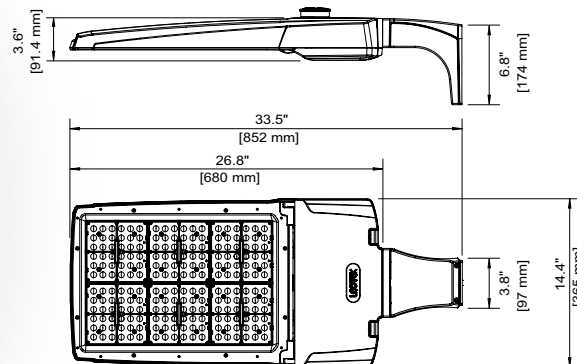
'YK' Yoke Mount*

(shown w/ optional 'PCR7')



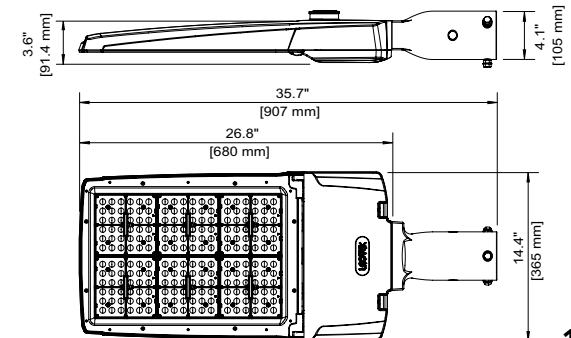
'SPM' Square & 'RPM' Round Pole Arm Mount

(quick mount arm can retrofit up to 5.25" max. bolt spacing w/ no drilling required)



'MAF' Horizontal Mast Arm Fitter Mount

(3/8" stainless steel thru-bolt & nut is included)



*compatible w/ 1-5/8", 2-3/8" & 3" O.D. tenons

About LEOTEK

LEOTEK Electronics USA LLC, located in California's Silicon Valley, is celebrating over thirty years as an LED lighting manufacturer, and is a leading supplier of LED streetlights worldwide. Globally recognized as a pioneer in light-emitting diode technology, and with millions of LED products installed worldwide, the company has a historical legacy of proven performance. LEOTEK offers innovative LED lighting products that integrate cutting-edge IoT and smart technology features into their lighting applications encompassing traffic, transit, street, and area lighting, providing advanced functionalities for efficient and intelligent lighting systems. LEOTEK street and area lighting products are assembled in the USA.



Visit LEOTEK.com to learn more about our innovative LED Lighting products



ComfortView™

ComfortView™ streetlights utilize a new approach to address glare for neighborhood streets. Now neighborhoods can be beautifully lit with more visual comfort than first-generation LED luminaires while maintaining safety and energy efficiency. As with our other GreenCobra® LED Streetlights, ComfortView™ is built with durable high-strength materials and reliable components, and is backed by our 10-Year Warranty and 30 years of experience building LED lighting products.



Arieta®

Suited for numerous applications, including parking lots, campuses, office complexes, streets and public parks, Arieta® is universally retrofittable. Arieta is available in two housing sizes (AR-13 & AR-18) and a wide range of lumen packages to match the visual scale of multiple pole mounting heights.



Post Top Colonial

LEOTEK's Post Top Colonial Lantern provides the traditional aesthetic of an old-style lantern with the versatility, cost-savings and benefits of advanced LED technology. The Post Top Colonial is a specification-grade luminaire constructed of durable die-cast aluminum and finished with long-lasting protective powder coat paint. Fasteners are stainless-steel, captive, and tool-less. While traditional in design, the Post Top Colonial incorporates state of the art long-life rated components and is tested to meet rigorous industry standards.



SafeGuard™

The LEOTEK SafeGuard™ Utility Grade LED Security Light is a multi-purpose luminaire for Security, Dusk to Dawn, Street and Area Light applications. SafeGuard™ is a versatile, reliable, energy-efficient, and economical option for use in a wide range of scenarios.

Scan the QR code to keep in touch with LEOTEK



© 2024 Leotek Electronics USA. All Rights Reserved

certifications not complete until official launch

VersaTEK Series Brochure_8-April-2024. Specifications subject to change without notice.