

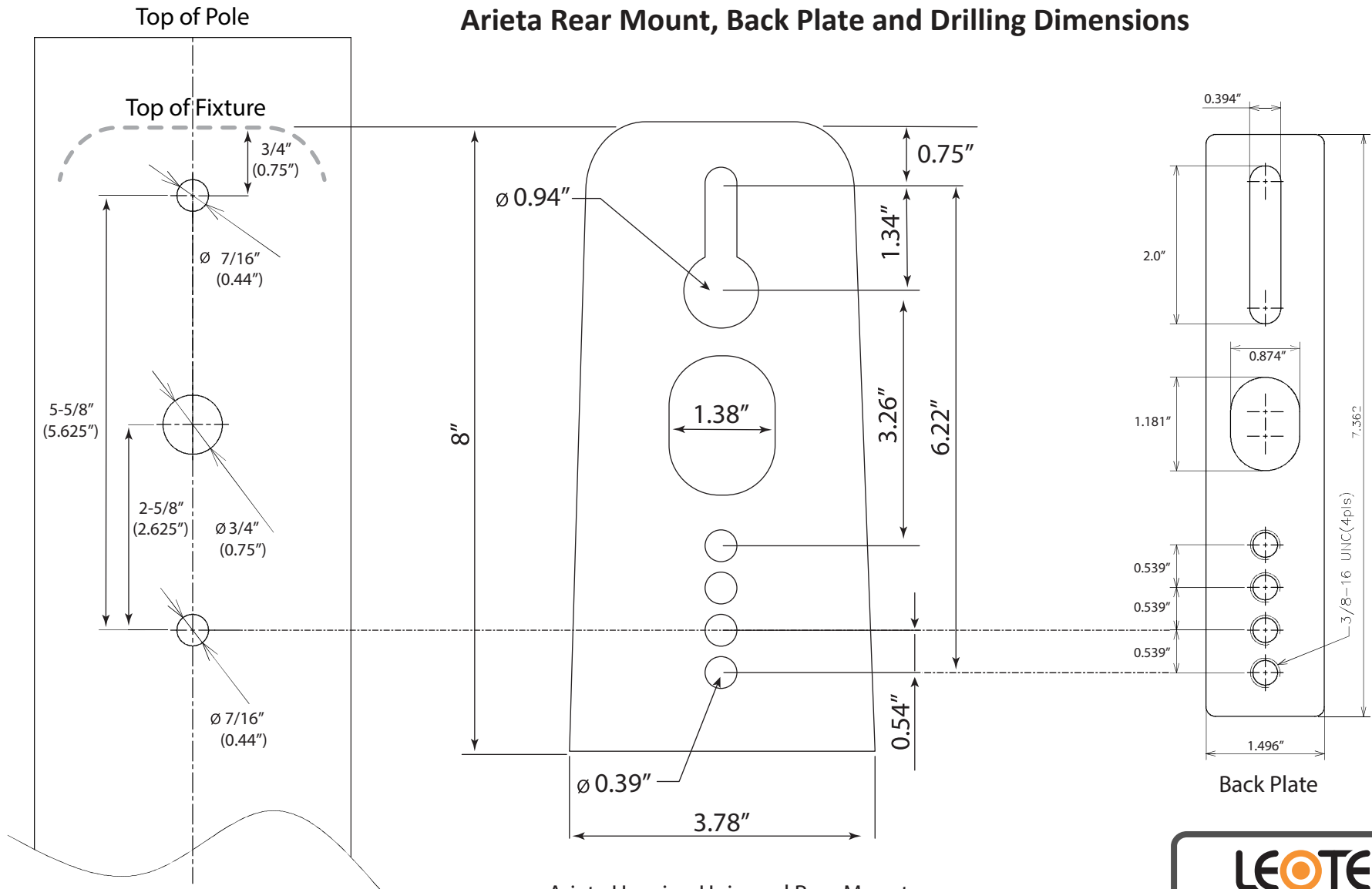
Arieta[®]

Architectural LED Area Luminaires

Mounting Accessories



Arieta Rear Mount, Back Plate and Drilling Dimensions



Mounting Pole Drilling Dimensions for New Construction

Arieta Housing Universal Rear Mount

Back Plate

NOTES: Compatible with pole diameters from 4" to 6"
See the AR-13/AR-18 Installation Guide for complete instructions.

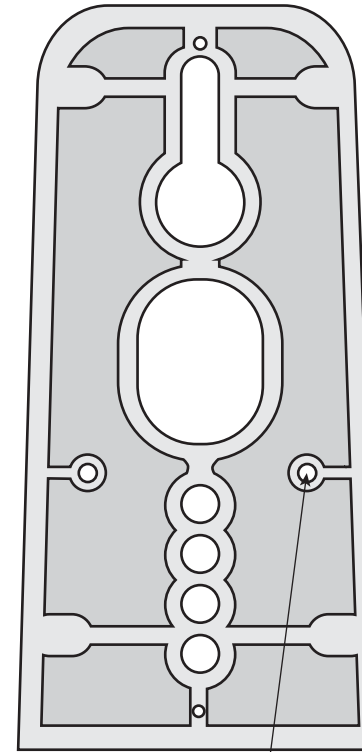
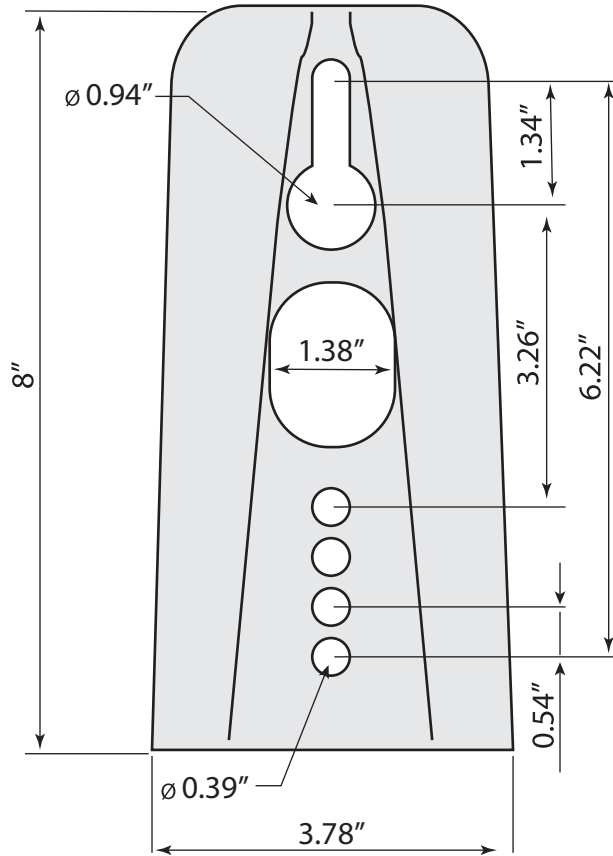
Model No	Model Name
BP	ARIETA BACK PLATE



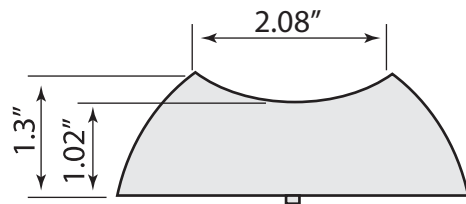
ARIETA™ BACK PLATE DIMENSIONS

LEOTEK ELECTRONICS USA, LLC
 1955 LUNDY AVENUE
 SAN JOSE, CA 95131
 PHONE: (408) 380-1788
 FAX: (408) 518-8128

ROUND POLE ADAPTER



No. 10-24 UNC



NOTES: Compatible with pole diameters from 4" to 6"
See the AR-13/AR-18 Installation Guide for complete instructions.

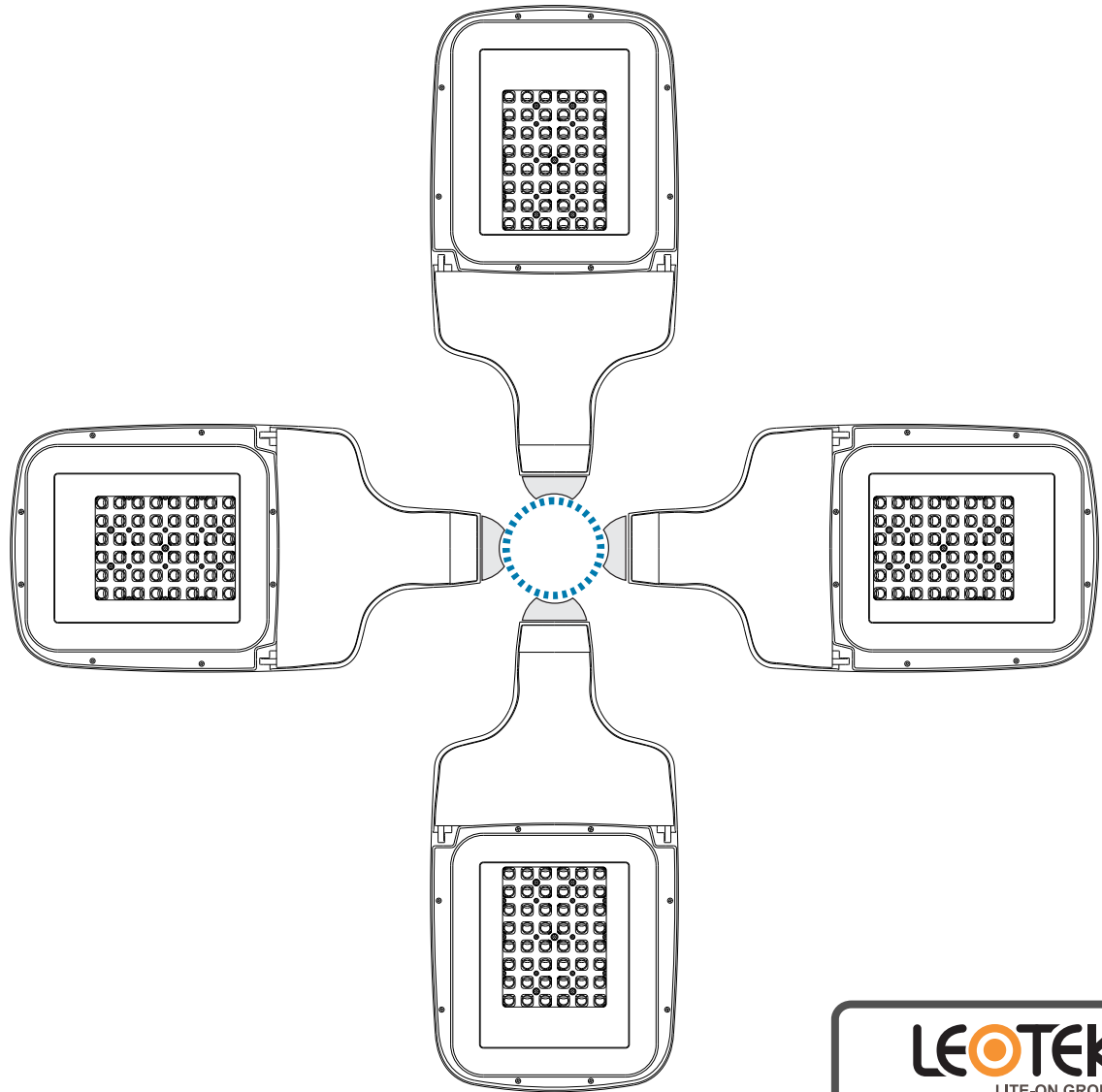
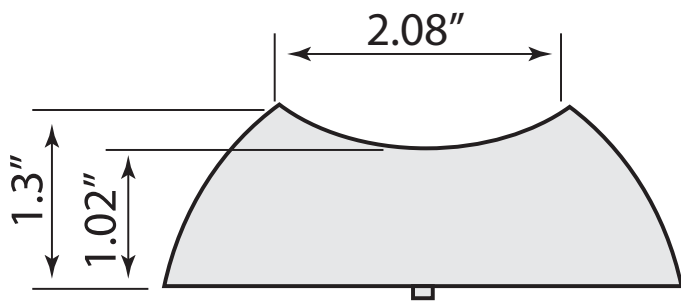
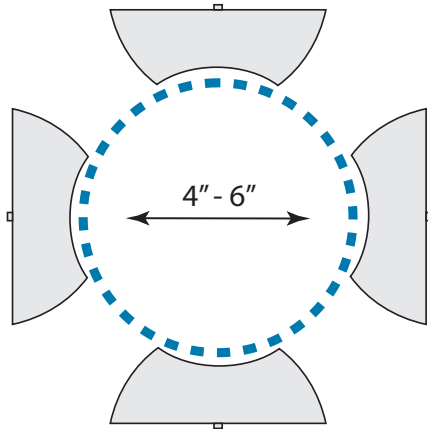
Model No	Model Name
RPA	ARIETA ROUND POLE ADAPTOR

LEOTEK[®]
LITE-ON GROUP

ARIETA™ ROUND POLE ADAPTOR

LEOTEK ELECTRONICS USA, LLC
1955 LUNDY AVENUE
SAN JOSE, CA 95131
PHONE: (408) 380-1788
FAX: (408) 518-8128

ROUND POLE ADAPTER



4 each Model AR-13 shown
attached to 6" Pole

NOTES: Compatible with pole diameters from 4" to 6"
See the AR-13/AR-18 Installation Guide for complete instructions.

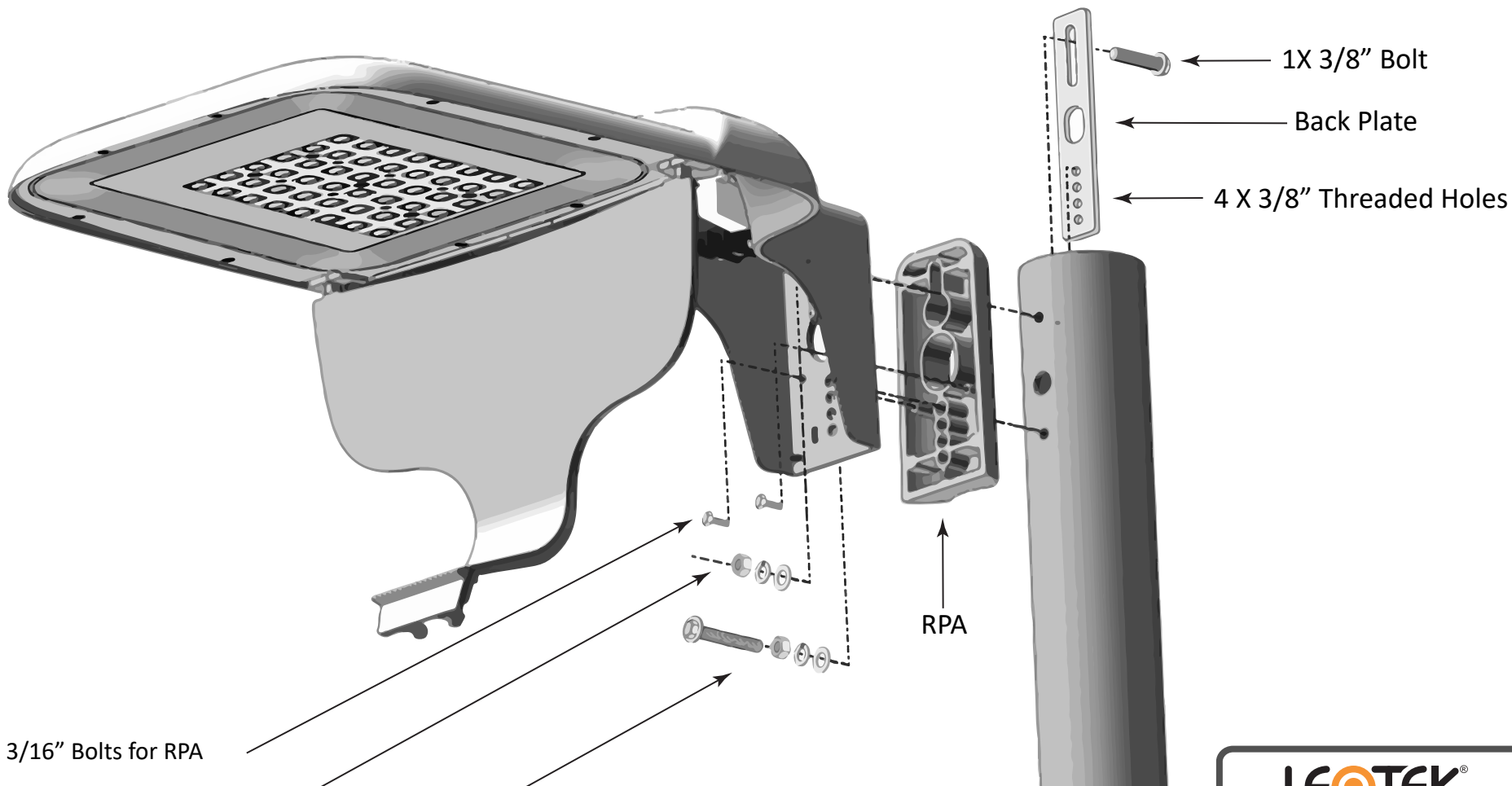
Model No	Model Name
RPA	ARIETA ROUND POLE ADAPTOR 4 ea. INSTALLED

LEOTEK[®]
LITE-ON GROUP

ARIETA™ ROUND POLE ADAPTOR
4ea. INSTALLED

LEOTEK ELECTRONICS USA, LLC
1955 LUNDY AVENUE
SAN JOSE, CA 95131
PHONE: (408) 380-1788
FAX: (408) 518-8128

ROUND POLE ADAPTER



2X 3/16" Bolts for RPA

1X 3/8" Nut, Lock Washer,
Washer for Upper Bolt

1X 3/8" Bolt, Lock Washer, Washer

NOTES: Compatible with pole diameters from 4" to 6"
See the AR-13/AR-18 Installation Guide for complete instructions.

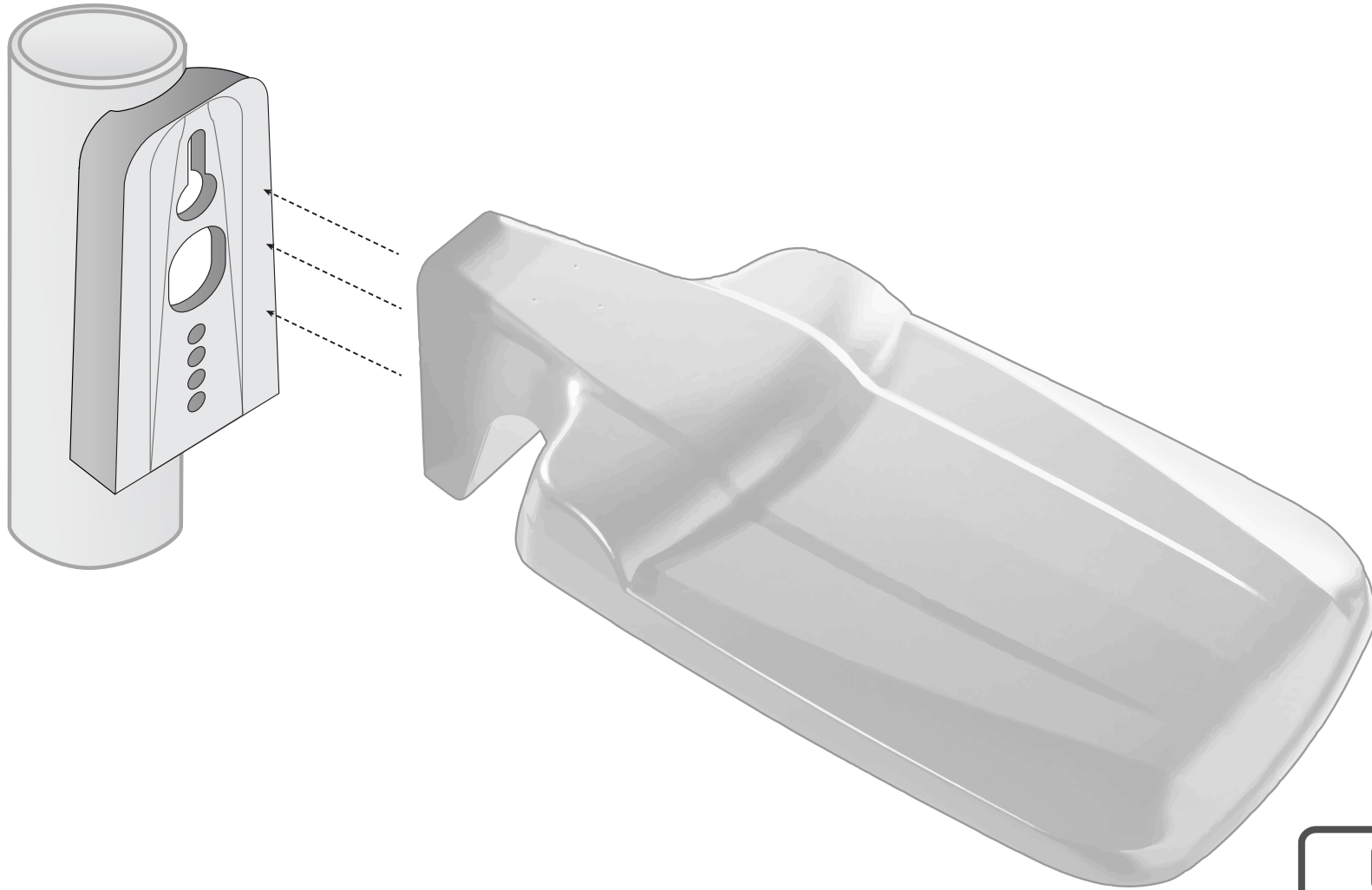
Model No	Model Name
BP	ARIETA BACK PLATE

LEOTEK[®]
LITE-ON GROUP

ARIETA™ BACK PLATE DIMENSIONS

LEOTEK ELECTRONICS USA, LLC
1955 LUNDY AVENUE
SAN JOSE, CA 95131
PHONE: (408) 380-1788
FAX: (408) 518-8128

ROUND POLE ADAPTER



NOTES: Compatible with pole diameters from 4" to 6"
See the AR-13/AR-18 Installation Guide for complete instructions.

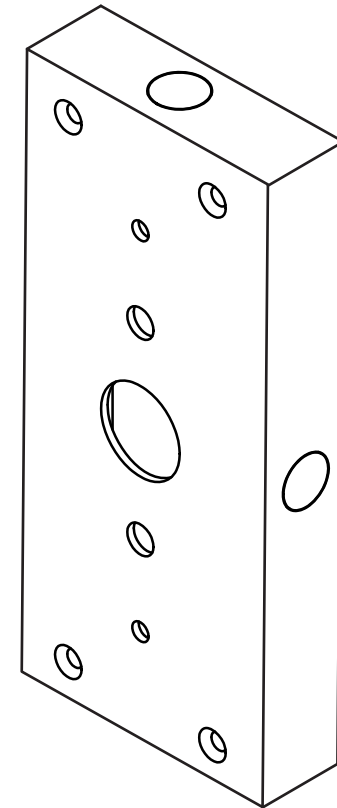
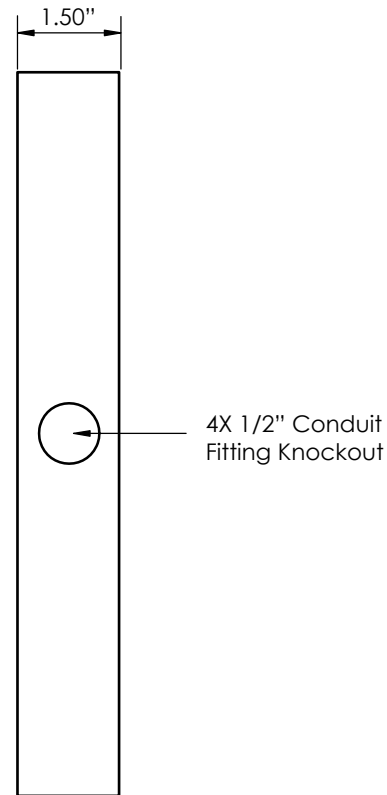
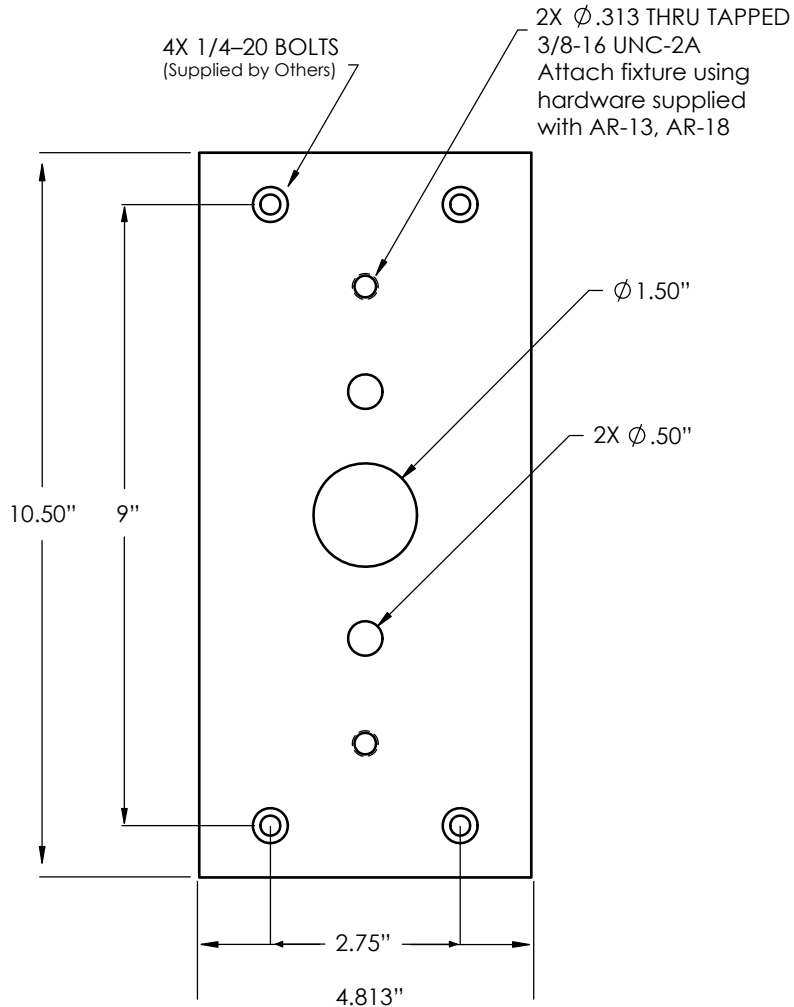
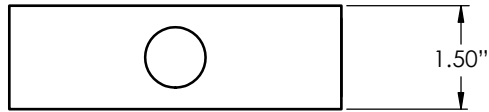
Model No	Model Name
RPA	ARIETA ROUND POLE ADAPTOR

LEOTEK[®]
LITE-ON GROUP

ARIETA™ ROUND POLE ADAPTOR

LEOTEK ELECTRONICS USA, LLC
1955 LUNDY AVENUE
SAN JOSE, CA 95131
PHONE: (408) 380-1788
FAX: (408) 518-8128

WALL MOUNT BRACKET



NOTES: See the AR-13/AR-18 Installation Guide for complete instructions.

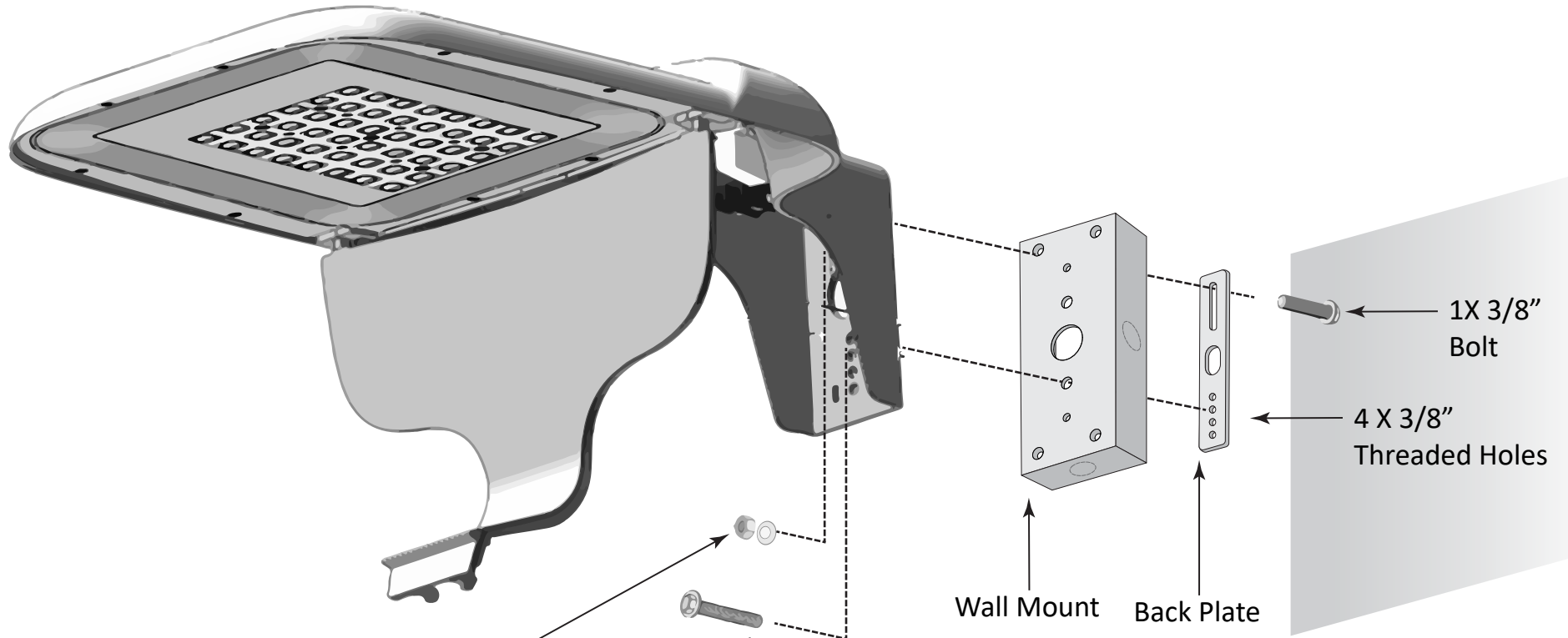
	Model No	Model Name
1	WMDB	WALL MOUNT - DARK BRONZE
2	WMBK	WALL MOUNT - BLACK
3	WMWH	WALL MOUNT - WHITE
4	WMGY	WALL MOUNT - GRAY

LEOTEK[®]
LITE-ON GROUP

ARIETA™ WALL MOUNT

LEOTEK ELECTRONICS USA, LLC
1955 LUNDY AVENUE
SAN JOSE, CA 95131
PHONE: (408) 380-1788
FAX: (408) 518-8128

WALL MOUNT BRACKET



1X 3/8" Nut, Lock Washer,
Washer for Upper Bolt

1X 3/8" Bolt, Lock Washer

NOTES: See the AR-13/AR-18 Installation Guide for complete instructions.

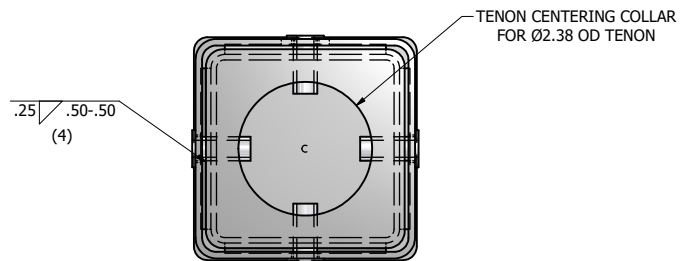
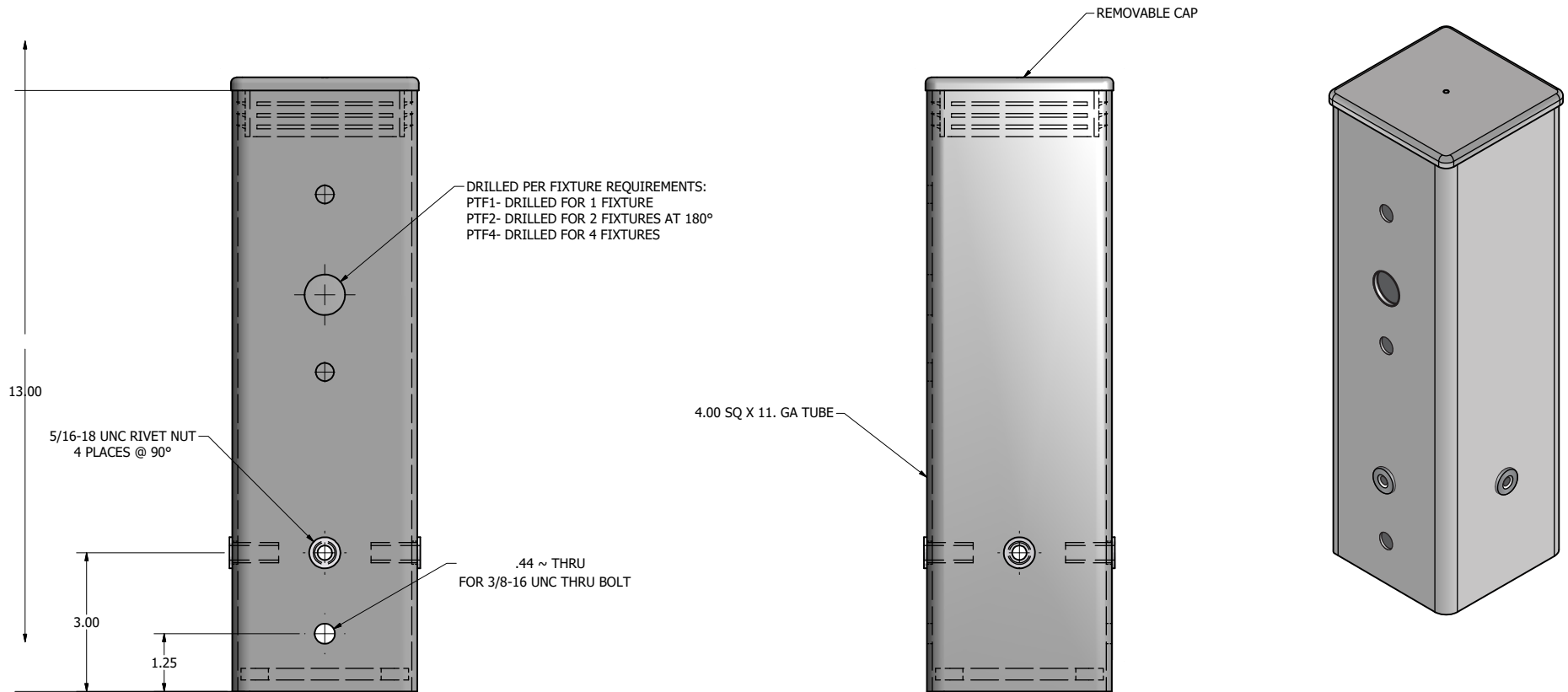
	Model No	Model Name
1	WMDB	WALL MOUNT - DARK BRONZE
2	WMBK	WALL MOUNT - BLACK
3	WMWH	WALL MOUNT - WHITE
4	WMGY	WALL MOUNT - GRAY

LEOTEK
LITE-ON GROUP

ARIETA™ WALL MOUNT

LEOTEK ELECTRONICS USA, LLC
1955 LUNDY AVENUE
SAN JOSE, CA 95131
PHONE: (408) 380-1788
FAX: (408) 518-8128

SQUARE POLE TOP FITTER



NOTES: See the AR-13/AR-18 Installation Guide for complete instructions.

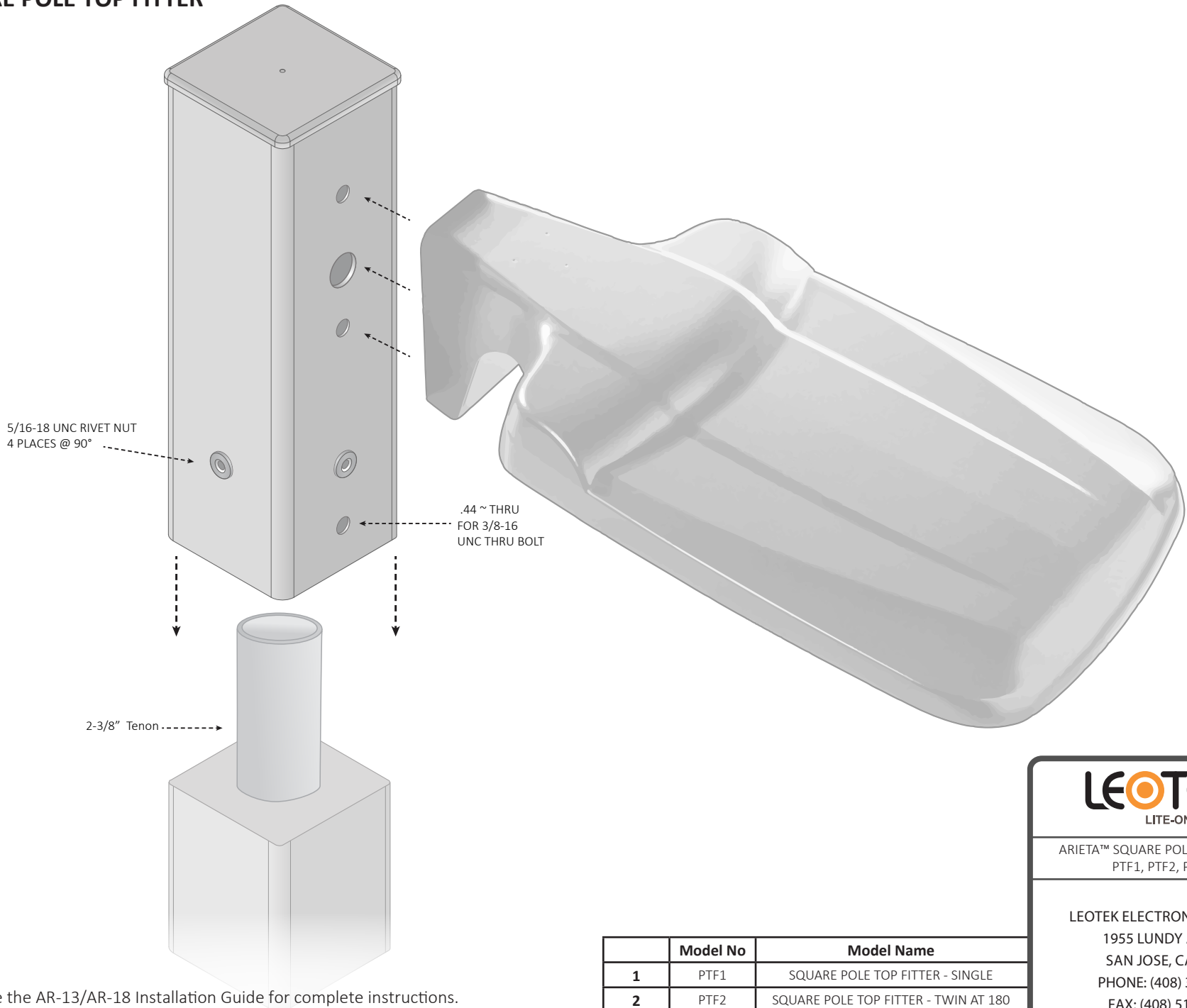
	Model No	Model Name
1	PTF1	SQUARE POLE TOP FITTER - SINGLE
2	PTF2	SQUARE POLE TOP FITTER - TWIN AT 180
3	PTF4	SQUARE POLE TOP FITTER - QUAD

LEOTEK[®]
 LITE-ON GROUP

ARIETA™ SQUARE POLE TOP FITTER
 PTF1, PTF2, PTF4

LEOTEK ELECTRONICS USA, LLC
 1955 LUNDY AVENUE
 SAN JOSE, CA 95131
 PHONE: (408) 380-1788
 FAX: (408) 518-8128

SQUARE POLE TOP FITTER



NOTES: See the AR-13/AR-18 Installation Guide for complete instructions.

	Model No	Model Name
1	PTF1	SQUARE POLE TOP FITTER - SINGLE
2	PTF2	SQUARE POLE TOP FITTER - TWIN AT 180
3	PTF4	SQUARE POLE TOP FITTER - QUAD

LEOTEK[®]
LITE-ON GROUP

ARIETA™ SQUARE POLE TOP FITTER
PTF1, PTF2, PTF4

LEOTEK ELECTRONICS USA, LLC
1955 LUNDY AVENUE
SAN JOSE, CA 95131
PHONE: (408) 380-1788
FAX: (408) 518-8128