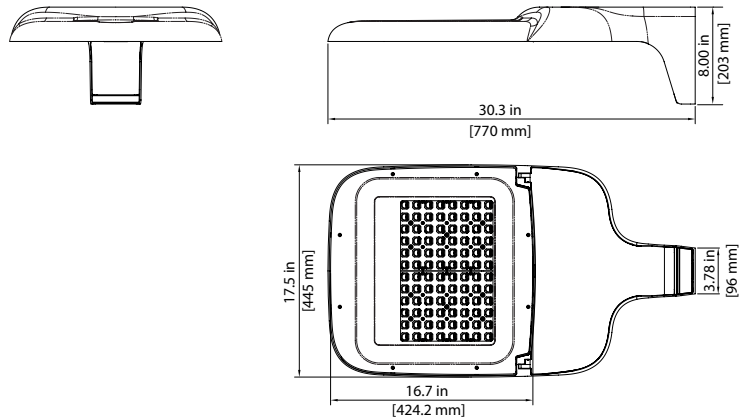


# ARIETA® 18 Architectural LED Area Luminaire

## AR18 N-Series Specification Data Sheet

### Luminaire Data

**Weight** 24 lbs [10.9 kg]  
**EPA** 0.55 ft<sup>2</sup>



### Ordering Information

Sample Catalog No. AR18 96N MV NW 3 DB 400 BLS

Product	LED Code	Voltage	Nominal Color Temperature	Distribution	Finish <sup>1</sup>	Output Code <sup>2</sup>	Options
AR18	96N	MV 120-277V	WW 3000K	<b>2</b> Type 2 <b>3</b> Type 3 <b>4</b> Type 4 <b>5</b> Type 5 <b>AFR</b> Auto Front Row	<b>BK</b> Black <b>DB</b> Dark Bronze (RAL6022) <b>DB1</b> Dark Bronze (RAL8019) <b>WH</b> White <b>GY</b> Gray <b>NA</b> Natural Aluminum	<b>WW - 3000K</b> <b>140</b> <b>180</b> <b>210</b> <b>240</b> <b>270</b> <b>300</b> <b>340</b> <b>380</b> <b>NW - 4000K</b> <b>CW - 5000K</b> <b>150</b> <b>190</b> <b>220</b> <b>250</b> <b>290</b> <b>330</b> <b>380</b> <b>400</b>	<b>BLS</b> <sup>3</sup> Back Light Shield (Factory Installed) <b>FOC</b> <sup>4</sup> Fixed Output Code <b>PCR</b> NEMA Photocontrol Receptacle <b>PCR7</b> <sup>5</sup> ANSI 7-wire Photocontrol Receptacle <b>PCR7-CR</b> <sup>6</sup> Control Ready 7-wire Photocontrol Receptacle <b>MSL7</b> <sup>7</sup> Motion Sensor with L7 Lens <b>MSL3</b> <sup>7</sup> Motion Sensor with L3 Lens <b>SP2</b> 20kV/10kA Surge Protector <b>PND1</b> <sup>8</sup> Part-Night Dimming <b>PND2</b> <sup>8</sup> Part-Night Dimming <b>PND3</b> <sup>8</sup> Part-Night Dimming <b>ORR</b> Optics Rotated Right <b>ORL</b> Optics Rotated Left <b>WL</b> Utility Wattage Label <b>DS</b> <sup>11</sup> Dual Switching <b>CF</b> <sup>12</sup> Coastal Paint Finish
		HV 347-480V					

- Black, Dark Bronze, White, Gray, or Natural Aluminum standard. DB (RAL6022) is our original dark bronze. DB1 (RAL8019) is a new dark bronze option. Consult factory for other finishes. See page 2 for specifications.
- Specified output code set at the factory set. Includes fixture mounted output selector that enables field adjustable light levels.
- Flush mounted enhanced back light shield, factory installed.
- No field adjustable output. Specified output code set at the factory.
- Includes output selector that enables field adjustability of light levels. Field changeable connectors included to enable dimming connection to PCR7 (wireless node dimming is disabled by default).
- Control-ready wired at factory for wireless node dimming. Output selector not included in fixture. Not able to adjust above specified drive current.
- See L7 or L3 Lens coverage details on page 4. Consult factory for MS specified with ANSI 7-wire Photocontrol Receptacle. PCR option is required for On/Off control using light detection.
- For PND profile options see page 5. Only available with MV (120-277V).
- Specify Color (GY, DB, DB1, BK, WH, NA)
- Specify MV (120-277V) or HV (347V-480V)
- Provides 50/50 fixture operation via two independent drivers. Requires two separately switched circuits. Not available with PCR3 or PCR7.
- Specify the CF Option for coastal installation. See warranty for details.

Accessories*	
<b>BLS</b>	Enhanced Back Light Shield
<b>RPA</b> <sup>9</sup>	Round Pole Adapter
<b>PTF1</b> <sup>9</sup>	Square Pole Top Fitter Single
<b>PTF2</b> <sup>9</sup>	Square Pole Top Fitter Twin at 180°
<b>PTF4</b> <sup>9</sup>	Square Pole Top Fitter Quad
<b>WM</b> <sup>9</sup>	Wall Mount
<b>BSK</b>	Bird Deterrent Spider Kit
<b>LLPC</b> <sup>10</sup>	Long-Life Twist Lock Photocontrol
<b>SC</b>	Twist Lock Shorting Cap
<b>FSIR100</b>	Motion Sensor Configuration Tool

### Luminaire Specifications

#### Housing

Die cast aluminum housing with universal mounting design allows for attachment to existing pole without re-drilling for retrofit applications. Aluminum housing provides passive heat-sinking of the LEDs and has upper surfaces that shed precipitation. Mounting provisions meet 3G vibration per ANSI C136.31-2010 Normal Application, Bridge & Overpass. Electrical components are accessed without tools and are mounted on removable power door.

#### Light Emitting Diodes

Hi-flux/Hi-power white LEDs produce a minimum of 90% of initial intensity at 100,000 hours of life based on IES TM-21. LEDs are tested in accordance with IES LM-80 testing procedures. LEDs have correlated color temperature of 3000K, 4000K, or 5000K and 70 CRI minimum. LEDs are 100% mercury and lead free.

#### Field Adjustability

An output selector is supplied to adjust light output for local conditions (not available with PCR7-CR option). The specified output code will be factory set.

#### Quality Control

Every luminaire is performance tested before and after a 2-hour burn-in period. Assembled in the USA.

#### Optical Systems

Micro-lens optical systems are fully sealed to maintain an IP66 rating. Luminaire produces 0% total lumens above 90° (BUG Rating, U=0). Auto Front Row (AFR) optics are designed to enhance light levels at site perimeter while minimizing wattage and backlight. Optional enhanced Back Light Shield (BLS) is designed to meet strict light trespass and LEED requirements. Optics may be rotated right or left with options ORR/ORL, respectively.

#### Electrical

Rated life of electrical components is 100,000 hours. Uses isolated power supply that is 1-10V dimmable. Power supply is wired with quick-disconnect terminals. Power supply features a minimum power factor of .90 and <20% Total Harmonic Distortion (THD). EMC meets or exceeds FCC CFR Part 15. Terminal block accommodates 6 to 14 gauge wire. Standard surge protection complies with IEEE/ANSI C62.41 and ANSI C136.2-2015, Enhanced (10kV/5kA). SP2 option provides Extreme level (20kV/10kA).

#### Controls

3-Wire photocontrol receptacle (PCR) is available. ANSI C136.41 7-wire (PCR7) photocontrol receptacles are available. All photocontrol receptacles have tool-less rotatable bases. Wireless control module is provided by others.

#### Finish

Housing receives a fade and abrasion resistant polyester powder coat finish with 3.0 mil nominal thickness. Finish tested to withstand 5000 hours in salt spray exposure per ASTM B117 B117 and Coastal Finish per ASTM G85. Finish meets scribe creepage rating 8 per ASTM D1654. Finish tested 500 hours in UV exposure per ASTM G154 and meets ASTM D523 gloss retention.

#### Listings/Ratings/Labels

Luminaires are UL listed for use in wet locations in the United States and Canada. International Dark Sky Association listed. Luminaire is qualified to operate at ambient temperatures of -40°C to 40°C.

#### Photometry

Luminaires photometrics are tested by certified independent testing laboratories in accordance with IES LM-79 testing procedures.

#### Warranty

10-year limited warranty is standard on luminaire and components. 5-year limited warranty on luminaires and components with a motion sensor.

#### Standards

Luminaire complies with:  
ANSI: C136.2, C136.3, C136.10, C136.13, C136.15, C136.22, C136.31, C136.35, C136.37, C136.41, C62.41, C78.377, C82.77  
Other: FCC 47 CFR, IEC 60598, ROHS II, UL 1449, UL 1598

### Color Specifications

Order Code	Color	RAL #	Pantone Equivalent
<b>GY</b>	Gray	7040	429C
<b>BK</b>	Black	9004	426C
<b>DB</b>	Dark Bronze	6022	BLACK 2C
<b>DB1</b>	Dark Bronze	8019	412
<b>WH</b>	White	9003	11-0601
<b>NA</b>	Natural Aluminum	9006	N/A

### Performance Data 3000K

All data nominal. IES files are available at leotek.com.

LED Code	Output Code	Drive Current (mA)	System Wattage (W)	Delivered Lumens (Lm) <sup>1</sup>	Efficacy (Lm/W)	Field Adjustable Output Range <sup>2</sup>
<b>48N</b>	140	350	103	14600	142	↑ ↓
	180	450	129	18170	141	
	210	540	150	20940	140	
	240	600	170	23620	139	
	270	750	207	27400	132	↑ ↓
	300	820	234	30300	129	
	340	930	268	34010	127	
	380	1050	299	37780	126	

### Performance Data 4000K & 5000K

All data nominal. IES files are available at leotek.com.

LED Code	Output Code	Drive Current (mA)	System Wattage (W)	Delivered Lumens (Lm) <sup>1</sup>	Efficacy (Lm/W)	Field Adjustable Output Range <sup>2</sup>
<b>48N</b>	150	350	104	15650	150	↑ ↓
	190	450	130	19330	149	
	220	540	152	22900	151	
	250	600	170	25670	151	
	290	750	206	29770	145	↑ ↓
	330	820	235	33830	144	
	380	930	272	38070	140	
	400	1050	297	40990	138	

- Notes:
- 1 Normal tolerance ± 10% due to factors including distribution type, LED bin variance, driver variance, and ambient temperatures.
  - 2 Performance codes available in two ranges for adjustable output as shown in performance data tables. Output set at factory to specified performance code.

### BUG Ratings: 3000K (30K)

All data nominal. IES files for all CCTs are available at [www.leotek.com](http://www.leotek.com)

Product & LED Code	Output Code	Type 2	Type 3	Type 4	Type 5	Auto Front Row
		BUG Rating	BUG Rating	BUG Rating	BUG Rating	BUG Rating
AR18 96N	140	B3-U0-G2	B3-U0-G3	B3-U0-G3	B4-U0-G2	B3-U0-G2
	180	B3-U0-G2	B3-U0-G3	B3-U0-G3	B4-U0-G2	B3-U0-G3
	210	B3-U0-G3	B3-U0-G3	B3-U0-G3	B4-U0-G2	B3-U0-G3
	240	B3-U0-G3	B3-U0-G3	B4-U0-G3	B4-U0-G2	B3-U0-G3
AR18 96N	270	B3-U0-G3	B3-U0-G3	B4-U0-G3	B5-U0-G3	B3-U0-G3
	300	B3-U0-G3	B3-U0-G3	B4-U0-G3	B5-U0-G3	B4-U0-G3
	340	B4-U0-G3	B4-U0-G4	B4-U0-G4	B5-U0-G3	B4-U0-G3
	380	B4-U0-G4	B4-U0-G4	B4-U0-G4	B5-U0-G4	B4-U0-G3

### BUG Ratings: 4000K (40K) and 5000K (50K)

All data nominal. IES files for all CCTs are available at [www.leotek.com](http://www.leotek.com)

Product & LED Code	Output Code	Type 2	Type 3	Type 4	Type 5	Auto Front Row
		BUG Rating	BUG Rating	BUG Rating	BUG Rating	BUG Rating
AR18 96N	150	B3-U0-G2	B3-U0-G3	B3-U0-G3	B4-U0-G2	B3-U0-G3
	190	B3-U0-G3	B3-U0-G3	B3-U0-G3	B4-U0-G2	B3-U0-G3
	220	B3-U0-G3	B3-U0-G3	B3-U0-G3	B4-U0-G2	B3-U0-G3
	250	B3-U0-G3	B3-U0-G3	B4-U0-G3	B5-U0-G3	B3-U0-G3
AR18 96N	290	B3-U0-G3	B3-U0-G3	B4-U0-G3	B5-U0-G3	B4-U0-G3
	330	B4-U0-G3	B4-U0-G4	B4-U0-G4	B5-U0-G3	B4-U0-G3
	380	B4-U0-G4	B4-U0-G4	B4-U0-G4	B5-U0-G4	B4-U0-G3
	400	B4-U0-G4	B4-U0-G4	B5-U0-G4	B5-U0-G4	B4-U0-G4

- Notes:
- 1 Normal tolerance  $\pm 10\%$  due to factors including distribution type, LED bin variance, driver variance, and ambient temperatures.
  - 2 Performance codes available in two ranges for adjustable output as shown in performance data tables. Output set at factory to specified performance code.

### Motion Sensor (Optional) Specifications

#### Description

Digital passive infrared luminaire integrated outdoor occupancy sensor provides high/low/off control based on motion detection. Initial setup and subsequent sensor adjustments are made using a handheld configuration tool. PCR option is required for On/Off control using light detection. Available with both MV or HV input voltage options.

#### Operation

Standard factory setting will dim the luminaire to 50% until motion is sensed and then it will power to 100%. When motion is not detected for five minutes, the luminaire will dim back to 50%. Ramp up and fade down times are adjustable, but initially set to NONE. The percent dimming and time durations may be field adjusted as required using FSIR-100 configuration tool. FSIR-100 user guide available at: [www.wattstopper.com](http://www.wattstopper.com).

#### Optical System

Multi-cell, multi-tier Fresnel lens with a 360 degree view detects unobstructed motion within one mounting height, up to 20 ft. maximum (MSL3) or 40 ft. maximum (MSL7). Consult factory for higher mounting height requirements.

#### Finish

Sensor exterior ring and lens are white polycarbonate, UV and impact resistant.

#### Listings/Ratings

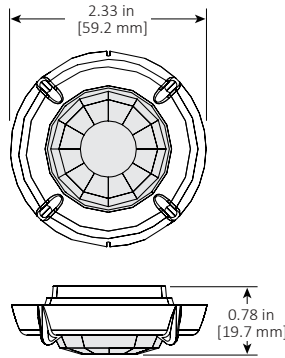
Sensor is TUV, UL and cUL listed, IP66 rated and CE compliant.

#### Warranty

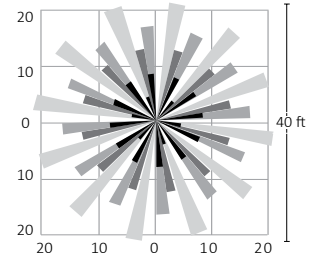
5-year limited warranty on luminaires and components with a motion sensor.

### Motion Sensor (Optional) Data

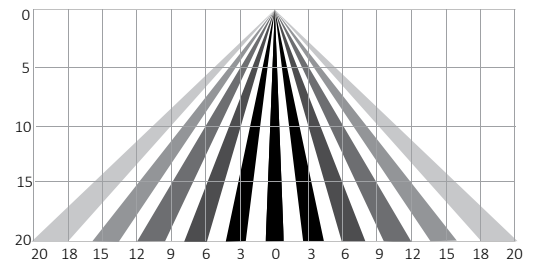
#### MSL3 Lens Dimensions



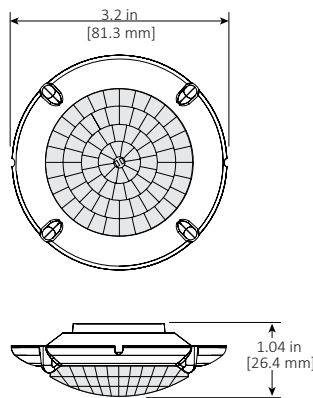
MSL3 Lens Coverage Top View



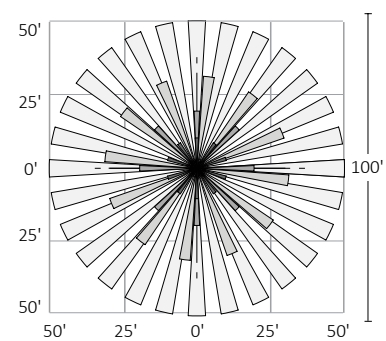
MSL3 Lens Coverage Side View



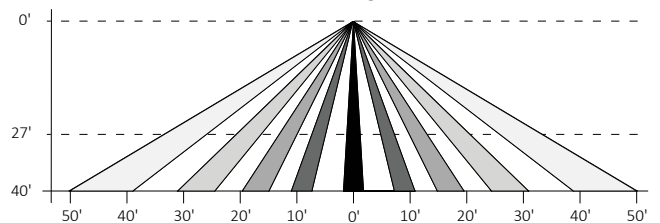
#### MSL7 Lens Dimensions



L7 Lens Coverage Top View



L7 Lens Coverage Side View



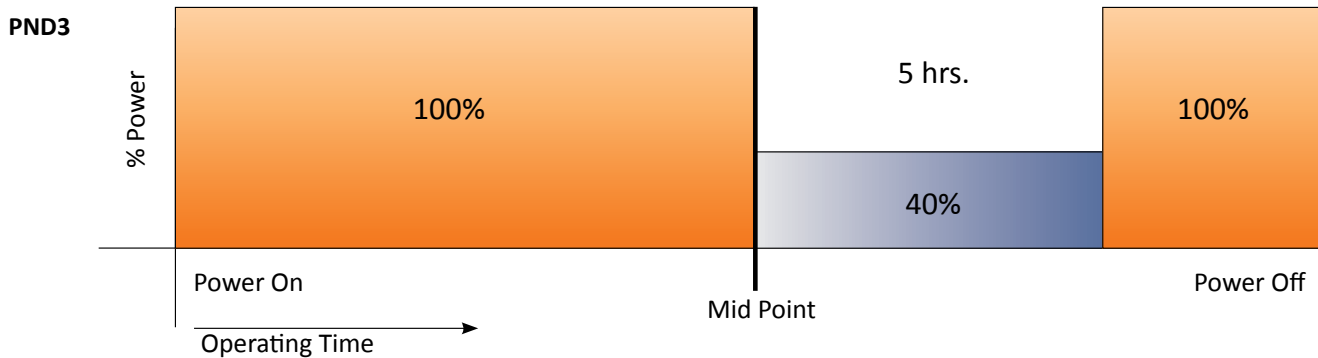
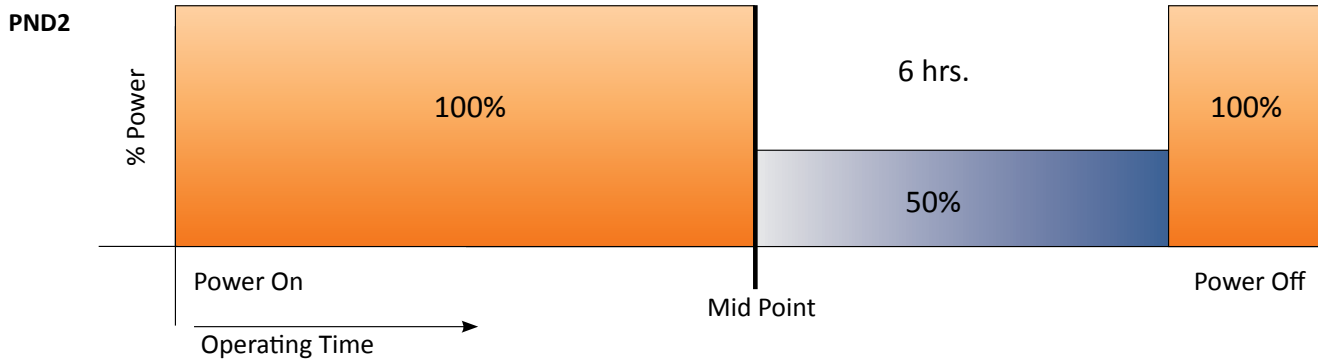
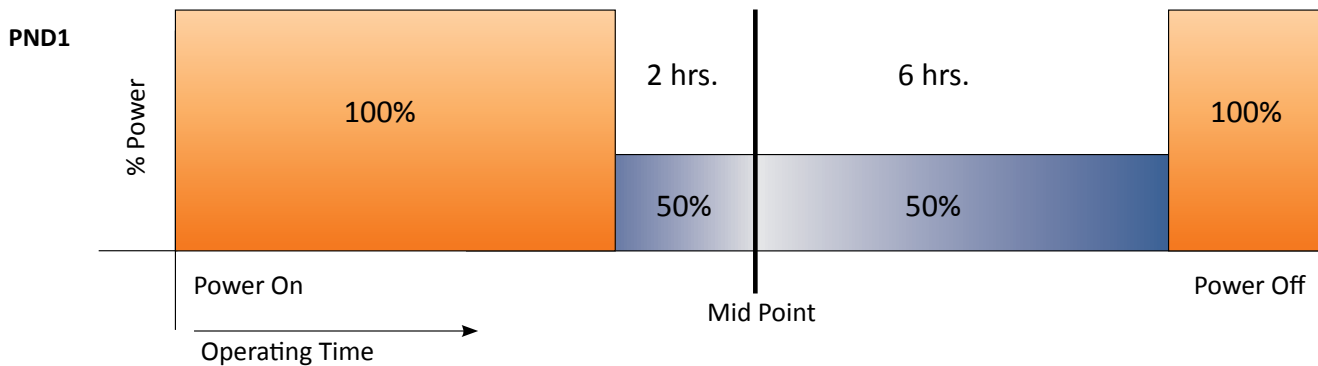
### Part-Night Dimming Specifications

#### Description

Arieta's Part-Night Dimming (PND) option enables significant energy savings by automatically dimming the luminaire during early morning hours when infrequent use is expected. Factory programmed dimming profiles automatically take into account seasonal changes based on geographical location by continuously monitoring the nighttime midpoint. PND does not provide power on/off control which is provided by external controls (example: time clock) or a photocontrol using PCR3 or PCR7 option. Dimming profile of PND option is not field adjustable.

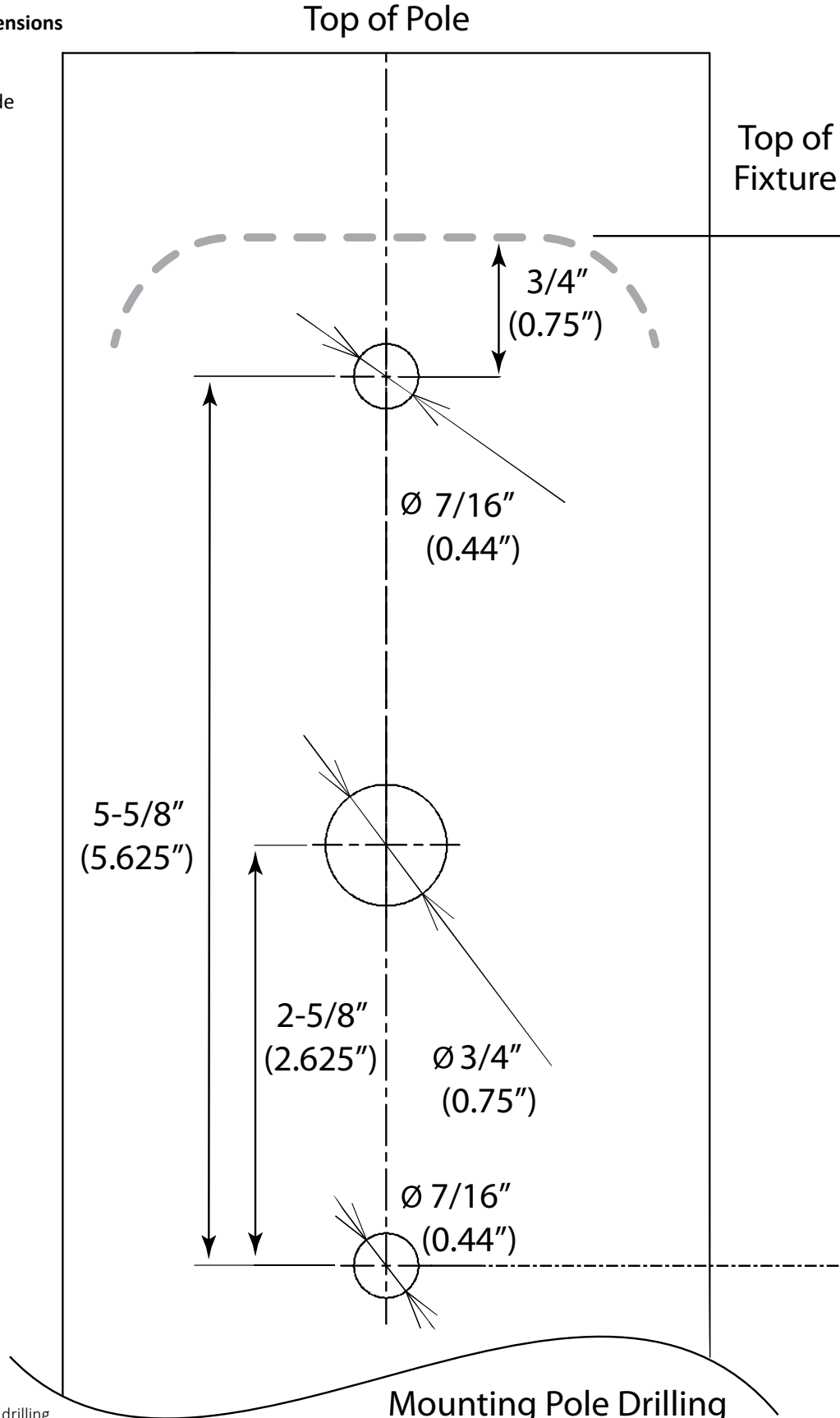
#### Operation

Based on the PND profile that is selected, the luminaire dims to the corresponding % power for the corresponding length of time (based on the nighttime mid-point) as shown below. Mid-point is continuously recalculated in the luminaire by monitoring the average length of time between when the light turns on (power on) and turns off (power off) over the previous two days. In effect, this functionality will take two days to initialize after installation before any dimming will occur. Power interruptions are ignored and do not affect the determination of mid-point. A motion sensor (MSL3 or MSL7) can be used with PND to temporarily override the dimming profile when motion is detected. Three factory programmed PND profiles are available for selection:



**Pole Mount Drilling Dimensions  
for New Construction**

For more details, consult  
the Arieta Installation Guide



**Mounting Pole Drilling  
Dimensions for New Construction**

If printing this page to be used as a drilling  
template, for best results update printer  
settings from: "Fit to Page" to "Actual Size".