

# VersaTEK Medium

## LED Floodlight Series



## Versatility by Design

The VersaTEK Medium Flood is an extremely durable & performance focused solution for both specification & budget minded applications for demanding Utility, Municipality, DOT & Commercial project applications.

A value-driven solution for any flood application where the VersaTEK Flood's product reliability & performance is paired with lineman-friendly installation & hassle-free maintenance design to help provide the lowest total cost of ownership possible over an expected installed service life of 10-20 years.

Whether you need to light a loading dock, large open spaces, to accenting a building facade or structure like a bridge, the VersaTEK Flood has a wide range of mounting and performance optical solutions to get the job done right. Three slipfitters, yoke, trunnion and adjustable wall or direct to pole mounting options coupled with wide selection of all-purpose & performance flood optics to design with, making this floodlight ideal for new construction or as a retrofit solution providing ~70-80%+ in combined energy & maintenance savings vs. legacy HID alternatives.

## Key Features, Details & Specs

- 8,399 to 42,305 lumens with efficacies up to 178+ LPW
- True 250-750 watt HID replacement (70%+ energy savings)
- Performance Selector option for field adjustment of wattage & lumens
- LEOLink ILS™ Intelligent Lighting System & wireless 'NB01P' smart controller option
- Next-gen performance LED platform, Flood optics & shielding
- 2700K, 3000K, 4000K & 5000K CCT options available
- Weighs only 22-25 lbs. for easy & safe single person installation
- Tool-free access with optional tool-free removable 'Power Door'
- 10kV integral surge standard, 20kV extreme surge option available
- Entire luminaire & optical assembly is rated IP66
- 50°C (122°F) high-ambient rating is standard
- Pass-thru convective cooling & integral thermal heatsink design
- IK10 rated design with IK10 rated glass lens
- A360 die-cast low copper content alloy (< 0.6%)
- 5,000-hour salt spray finish standard (coastal finish available)
- All exposed fasteners are stainless steel & captive
- 3G vibration rated suitable for high winds, overpasses, bridges, etc.
- Tested before & after rigorous 2-hour burn-in cycle
- Assembled in the USA at LEOTEK's San Jose, CA facility



'SF' slipfitter mount

### Typical Applications

- Electrical Substations
- Water Treatment Facilities
- Rail & Intermodal Yards
- Storage Yards
- Loading Docks
- Prisons
- Bridges
- Facades & Large Structures

### Integral Tool-Free Access Design

Tool-free electrical access & removable hinged door w/ fixed open door prop design for ease of installation or maintenance (compatible w/ most lineman safety gloves)



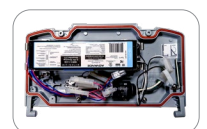
### Hassle Free Installation & Maintenance Features

Optional terminal block, slipfitter w/ self-centering 'star' design assists with leveling to a tenon and a UL recognized splice compartment ('SF' option splice compartment w/ 5-wire lead access & WAGOs for ease of installation, eliminates the need for a secondary j-box, compatible w/ 1-5/8", 2-3/8" & 3" O.D. tenons)



### Tool-Free Removable Power Door Option

All serviceable electrical components mounted to a Power Door that is accessed & removable without tools in less than 15 seconds (undo MOLEX connectors, push two spring clips to unlock door, slide forward to remove)



# VersaTEK Medium LED Floodlight Series

'TR' trunnion mount



'YK' yoke mount



## Ordering Information

Sample Catalog No. VTMFL-144A-MV-40K7-N66-DB1-CF-P4-SFH-PCR7CR-NB01P-TB-WL1-SP2-SF120

Product	LED Code	Voltage	Color Temp CRI	Optical Distribution	Finish*	Performance Code	Mounting Options
VTMFL VersaTEK Medium Flood	144A 144 LEDs Gen-A	MV 120-277V HV 347-480V	27K7 2700K, 70CRI	N66 NEMA 6Hx6V Flood	BK Black	P1	SF <sup>2</sup> Slipfitter w/ Wire Leads (in UL splice compartment)
			30K7 3000K, 70CRI	S33 NEMA 3Hx3V Spot	DB1 Dark Bronze (RAL8019)	P2	SFH <sup>3</sup> Slipfitter w/ S/O Cord Exiting Housing Bottom (3-wire S/O cord, 16AWG, 4' exit length)
			40K7 4000K, 70CRI	NSP Narrow Spot	WH White	P3	SFC <sup>3</sup> Slipfitter w/ S/O Cord Exiting Center of Fitter (3-wire S/O cord, 16AWG, 4' exit length)
			50K7 5000K, 70CRI		GY Gray	P4	TR <sup>3</sup> Trunnion Mount (3-wire S/O cord, 16AWG, 4' exit length)
			30K8 <sup>1</sup> 3000K, 80CRI	RN Rectangular Narrow	CF Coastal Finish	P5	YK <sup>3</sup> Yoke Mount (3-wire S/O cord, 16AWG, 4' exit length)
			40K8 <sup>1</sup> 4000K, 80CRI	RM Rectangular Medium	*Consult factory for custom finish options, pricing & leadtimes.	P6	AWM Adjustable Wall Mount (compatible w/ 3" & 4" square/octagonal recessed J-boxes)
			50K8 <sup>1</sup> 5000K, 80CRI	RW Rectangular Wide		P7	AWMISC Adjustable Wall Mount w/ Surface Conduit J-Box
				WG Wall Grazer		P8	ASPM Universal Square Pole Adjustable Arm Mount
						P9	ARPM Universal Round Pole Adjustable Arm Mount
						P10	
						P11	
						P12	

Driver* & Control Options (*0-10V drivers are standard)		General Options	
D4I <sup>4,8</sup>	DALI D4i Driver	AIM45 <sup>10</sup>	Slipfitter Factory Pre-aimed at 45°
TLR4U <sup>4,5,8</sup>	DALI 4-PIN Twist Lock Receptacle (upper housing receptacle location)	SS	Slipfitter Set Screw (replaces standard slipfitter set bolts)
TLR4L <sup>4,5,8</sup>	DALI 4-PIN Twist Lock Receptacle (lower driver door receptacle location)	TFL	Tamper free latch (driver electrical door)
NB01P <sup>6</sup>	LEOLink 7-PIN Smart Controller (120-277V)	TB <sup>2</sup>	3-position Terminal Block
PCR7CR <sup>4,6</sup>	ANSI 7-wire Control Ready Receptacle	SP2 <sup>11</sup>	20kV/10kA Extreme Surge, Fail-to-On
SC	Shorting Cap (factory installed)	LSSP2	20kV/10kA Extreme Surge, Fail-to-Off
LLPC <sup>7</sup>	Long Life Photocontrol	WL	Wattage Label, ANSI C136.15-2015 compliant
PS <sup>8</sup>	Field Adjustable Performance Selector	WL1	Wattage Label, ANSI C136.15-2020 compliant
PND1 <sup>9</sup>	Part Night Dimming V1	DSC	Optional Driver Door Safety Cable
PND2 <sup>9</sup>	Part Night Dimming V2	PWRD	Power Door Option (tool-free removable door w/ serviceable electrical items)
PND3 <sup>9</sup>	Part Night Dimming V3	SFXXX <sup>12</sup>	Single Fuse ('XXX' = specify voltage 120, 277, 347V)
		DFXXX <sup>12</sup>	Double Fuse ('XXX' = specify voltage 208, 240, 480V)
		5WSO <sup>13</sup>	5-wire S/O Cord (16AWG, 4' length w/ dimming leads)
		SOXXYY <sup>14</sup>	Special S/O AWG & Cord Length in Feet ('XX' = specify AWG 12, 14 or 16) ('YY' = specify S/O cord length 06, 08, 10, 15, 25)

General Accessories*	
<b>Shield Accessories</b>	
TBS-VTM	Top, Bottom Shield
LRS-VTM	Left, Right Side Shield
4S-VTM	4-sided Shield
BDS-VTM	Barn Door Shield
VS-VTM	Poly Vandal Shield
WG-VTM	Wire Guard
BSK	Bird Deterrent Spider Kit
<b>Controls Accessories</b>	
NB01PSS <sup>15</sup>	NB01P Ships Separately
LLPCMV	Long Life Photocontrol MV
LLPCHV	Long Life Photocontrol HV

\*Accessories are ordered & shipped separately, not to be included in the luminaire's catalog number. (requires field installation)

- 80CRI option only available in 3000K, 4000K & 5000K CCTs and may have longer leadtimes (contact factory).
- 'TB' Terminal Block is not available for use with the 'SF' Slipfitter mounting option. 3. Mounting option includes 16AWG 3-wire S/O cord w/ a 4' exit length & last 6" of insulation removed.
- For full 100% D4i DALI functionality a 'PCR7CR', 'TLR4U' or 'TLR4L' must be selected w/ 'D4I' DALI driver option. DALI compatible node or sensor (by others).
- 'TLR4U' & 'TLR4L' twist lock receptacle option requires 'D4I' DALI driver option to be selected.
- 'NB01P' requires 'LPCR7CR' option, only available in 'MV' 120-277V (contact factory for 'HV' 347-480V availability). 'NB01P' is a cellular based NEMA 7-PIN Smart Controller, 10-YR data (200MB), RenAI subscription included.
- 'LLPC' requires 'PCR7CR' option to be selected (does not ship installed, ships included w/ luminaire).
- 'PS' Performance Selector enables field adjustable light output dimming control from specified Performance Code, not compatible with DALI driver option.
- 'PND' options only available w/ 'MV' 120-277V (contact factory for 'HV' 347-480V availability). 10. Slipfitter options 'SF', 'SFH' ship pre-aimed at 45° from the factory if 'AIM45' is specified.
- 10kV/5kA surge, fail-to-on is included standard ('SP1'). 12. For single or double fusing, 'XXX' must specify required voltage.
- '5WSO' only available with 'SFC', 'SFH', 'TR' & 'YK' mounting options. Not available w/ 'PCR7CR', 'PS', 'PND', 'D4I', 'TLR4U', 'TLR4L' options.
- 'SOXXYY' option, 'XX' & 'YY' must specify S/O cord AWG & length (only available w/ SO cord mounting options). 15. Denotes 'NB01P' Smart Controllers will ship bulk or master pack and ships separately from the luminaire.

## Nominal Performance Data 4000K & 5000K

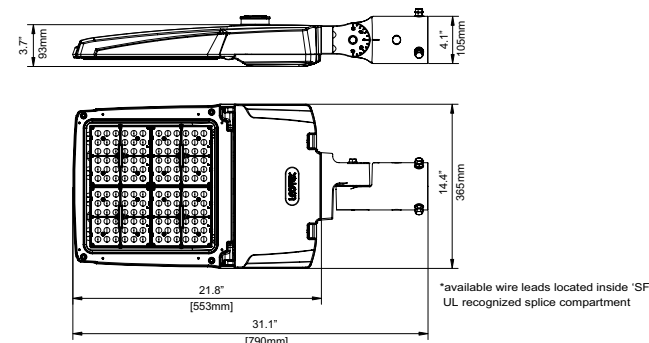
(NEMA 6x6 optic, 70CRI, standard IK10 rated glass lens, 25°C ambient)

Performance Code	P1	P2	P3	P4	P5	P6	P7	P8	P9	P10	P11	P12
Lumens <sup>1</sup>	10,500	13,472	16,442	19,535	22,399	25,197	27,929	30,956	33,174	35,844	39,758	42,305
System Wattage (W)	59	77	94	111	126	143	160	178	203	219	242	260
Efficacy (lm/W)	178	175	175	176	178	176	175	172	163	164	164	163
HID Replacement	150W	175W	250W	400-750W								

1. Normal tolerance ± 10% due to factors including distribution type, LED bin variance, driver variance and ambient temperatures.

## 'SF' Slipfitter Mount Dimensions\*

(5-wire leads in UL splice compartment, shown w/ optional 'PCR7CR')



\* Please refer to VersaTEK product specification sheets for additional ordering information & product details \*