

VersaTEK Medium LED OFF-Roadway Series

Versatility by Design

The VersaTEK Medium OFF-Roadway Series provides elite performance illumination & safety for a wide range of offset roadway, interstate highway applications & more, while significantly reducing infrastructure expenses over the installed life of the system.

Providing a safety-focused solution for the drivers on your busy roads & highways and the crews that install & maintain the luminaires year round. VersaTEK's OFF-Roadway Series performance optics with the ability to tilt for maximum coverage & uniformity makes our roads & highways safer for all during any nighttime driving condition.

Required pole counts are significantly reduced thanks to wider on-center spacing & broad multi-lane coverage. Expensive pipe & wire costs are reduced by eliminating the use of secondary pole arms. Resulting in ~70-80%+ in combined energy & maintenance savings and reduced infrastructure costs over the full installed life.

An optional tool-free removable 'Power Door' provides added safety & even more maintenance savings. All serviceable electrical components can be removed and replaced in less than 15 seconds. Keeping field maintenance time in a lift truck on a busy freeway and a pole's downtime to an absolute minimum for everyone's safety.

Key Features, Details & Specs

- 8,878 to 51,526 lumens w/ efficacies up to 189+ LPW
- True 250-750 watt HID replacement (70%+ energy savings)
- Performance Selector option for field adjustment of wattage & lumens
- LEOLink ILS™ Intelligent Lighting System & wireless 'NB01P' smart controller option
- Next-gen performance LED platform, Site & Area, Roadway optics & shielding
- 2700K, 3000K, 4000K & 5000K CCT options available
- Weighs only 18-20 lbs. for easy & safe single person installation
- Tool-free access with optional tool-free removable 'Power Door'
- 10kV integral surge standard, 20kV extreme surge option available
- Entire luminaire & optical assembly is rated IP66
- 50°C (122°F) high-ambient rating is standard
- Pass-thru convective cooling & integral thermal heatsink design
- A360 die-cast low copper content alloy (< 0.6%)
- 5,000-hour salt spray finish standard (coastal finish available)
- All exposed fasteners are stainless steel & captive
- 3G vibration rated suitable for high winds, overpasses, bridges, etc.
- Tested before & after rigorous 2-hour burn-in cycle
- Assembled in the USA at LEOTEK's San Jose, CA facility



Typical Applications

- Interstate Highways
- Municipal Streets
- Toll Plazas & Weigh Stations
- On/Off Ramps
- Rest Areas & General Parking
- Military Bases
- Business Parks & Campuses
- Bridges & Overpasses



Integral Tool-Free Access Design

Tool-free electrical access & removable hinged door w/ fixed open door prop design for ease of installation or maintenance (compatible w/ most lineman safety gloves)



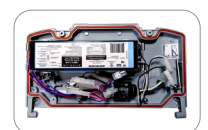
Hassle Free Installation & Maintenance Features

Optional terminal block, a self-centering tenon mount 'star' design assists with leveling to a tenon and a retrofit friendly quick mount pole arm (pole arm mount retrofits up to 5.25" bolt spacing for easy single person no drill install)



Tool-Free Removable Power Door Option

All serviceable electrical components mounted to a Power Door that is accessed & removable without tools in less than 15 seconds (undo MOLEX connectors, push two spring clips to unlock door, slide forward to remove)



VersaTEK Medium LED OFF-Roadway Series



'MAF' mast arm fitter mount

Ordering Information

Sample Catalog No. VTMOR-144A-MV-50K7-WR-GY-P4-SFC-PCR7CR-NB01-TB-SP2-WL1-PWRD-SF277

Product	LED Code	Voltage	Color Temp CRI	Optical Distribution	Finish*	Performance Code	Mounting Options			
VTMOR VersaTEK Medium OFF-Roadway	144A 144 LEDs Gen-A	MV 120-277V HV 347-480V	27K7	2700K, 70CRI	NR	Narrow Roadway	BK	SF ²	Slipfitter w/ Wire Leads (in UL splice compartment)	
			30K7	3000K, 70CRI	MR	Medium Roadway	DB1	SFH ³	Slipfitter w/ S/O Cord Exiting Housing Bottom (3-wire S/O cord, 16AWG, 4' exit length)	
			40K7	4000K, 70CRI	WR	Wide Roadway	WH	SFC ³	Slipfitter w/ S/O Cord Exiting Center of Fitter (3-wire S/O cord, 16AWG, 4' exit length)	
			50K7	5000K, 70CRI	T2R	Type-2R	GY	SPM	Universal Square Pole Arm Mount	
			30K8 ¹	3000K, 80CRI	T2F	Type-2F	CF Coastal Finish *Consult factory for custom finish options, pricing & leadtimes.	P7	RPM	Universal Round Pole Arm Mount
			40K8 ¹	4000K, 80CRI	T3R	Type-3R		P8	MAF	Horizontal Mast Arm Fitter (compatible w/ 1-5/8", 2-3/8" and 3" O.D. tenons)
			50K8 ¹	5000K, 80CRI	T3F	Type-3F		P9	ASPM	Universal Square Pole Adjustable Arm Mount
					T4R	Type-4R		P10	ARPM	Universal Round Pole Adjustable Arm Mount
					T4F	Type-4F		P11		
					T5	Type-5		P12		
		ORR	Optics Rotated Right	P13						
		ORL	Optics Rotated Left	P14						

Driver* & Control Options (*0-10V drivers are standard)	General Options		
D4I ^{4,8}	DAI D4i Driver	AIM45 ¹³	Slipfitter Factory Pre-aimed at 45°
TLR4U ^{4,5,8}	DAI 4-PIN Twist Lock Receptacle (upper housing receptacle location)	SS	Slipfitter Set Screw (replaces standard slipfitter set bolts)
TLR4L ^{4,5,8}	DAI 4-PIN Twist Lock Receptacle (lower driver door receptacle location)	TFL	Tamper free latch (driver electrical door)
NB01P ⁶	LEOLink 7-PIN Smart Controller (120-277V)	TB ²	3-position Terminal Block
PCR7CR ^{4,11}	ANSI 7-wire Control Ready Receptacle	SP2 ¹⁴	20kV/10kA Extreme Surge, Fail-to-On
SC	Shorting Cap (factory installed)	LSSP2	20kV/10kA Extreme Surge, Fail-to-Off
LLPC ⁷	Long Life Photocontrol	WL	Wattage Label, ANSI C136.15-2015 compliant
PS ⁸	Field Adjustable Performance Selector	WL1	Wattage Label, ANSI C136.15-2020 compliant
PND1 ⁹	Part Night Dimming V1	DSC	Optional Driver Door Safety Cable
PND2 ⁹	Part Night Dimming V2	PWRD	Power Door Option (tool-free removable door w/ serviceable electrical items)
PND3 ⁹	Part Night Dimming V3	SFXXX ¹⁵	Single Fuse ('XXX' = specify 120, 277, 347V)
MSL3 ^{10,11}	Motion Sensor w/ L3 Lens	DFXXX ¹⁵	Double Fuse ('XXX' = specify 208, 240, 480V)
MSL7 ^{10,11}	Motion Sensor w/ L7 Lens	SWSO ¹⁶	5-wire S/O Cord (16AWG, 4' length w/ dimming leads)
MSL3P ^{10,12}	Motion Sensor w/ L3 Lens w/ PCR7	SOXXX ¹⁷	Special S/O AWG & Cord Length in Feet ('XX' = specify AWG 12, 14 or 16) ('YY' = specify S/O cord length 06, 08, 10, 15, 25)
MSL7P ^{10,12}	Motion Sensor w/ L7 Lens w/ PCR7	BLS	Enhanced Back Light Shield (factory installed)
		VHS	80 Degree Cutoff Shield (factory installed)
		FSS	Front Side Shield (factory installed)
		CSS	Cul-de-sac Shield (factory installed)

General Accessories*	
Shield Accessories	
TBS-VTM	Top, Bottom Shield
LRS-VTM	Left, Right Side Shield
4SS-VTM	4-sided Shield
BDS-VTM	Barn Door Shield
VS-VTM	Poly Vandal Shield
WG-VTM	Wire Guard
BLS-VTM	Enhanced Backlight Shield (snap-on)
VHS-VTM ¹⁸	80-Degree Cutoff Shield (snap-on)
FSS-VTM	Front Side Shield (snap-on)
CSS-VTM	Cul-de-sac Shield (snap-on)
BSK	Bird Deterrent Spider Kit
Controls Accessories	
NB01PSS ¹⁹	NB01P Ships Separately
LLPCMV	Long Life Photocontrol MV
LLPCMV	Long Life Photocontrol HV
FSIR100	MS Configuration Tool

*Accessories are ordered & shipped separately, not to be included in the luminaire's catalog number. (requires field installation)

1. 80CRI option only available in 3000K, 4000K & 5000K CCTs and may have longer leadtimes (contact factory).
 2. 'TB' Terminal Block is not available for use with the 'SF' Slipfitter mounting option. 3. 'SFH' & 'SFC' options include 16AWG 3-wire S/O cord w/ a 4' exit length & last 6" of insulation removed.
 4. For full 100% D4i DALI functionality a 'PCR7CR', 'TLR4U' or 'TLR4L' must be selected w/ 'D4I' DALI driver option. DALI compatible node or sensor (by others). 5. 'TLR4U' & 'TLR4L' twist lock receptacle options requires 'D4I' driver option to be selected.
 6. 'NB01P' requires 'LPCR7CR' option, only available in 'MV' 120-277V (contact factory for 'HV' 347-480V availability). 'NB01P' is a cellular based NEMA 7-PIN Smart Controller, 10-YR data (200MB), RenAI subscription included.
 7. 'LLPC' requires 'PCR7CR' option to be selected (does not ship installed, included w/ luminaire). 8. 'PS' Performance Selector enables field adjustable light output dimming control from specified Performance Code, not compatible with DALI.
 9. 'PND' options only available w/ 'MV' 120-277V (contact factory for 'HV' 347-480V availability). 10. Motion Sensor options only available w/ 'SPM', 'RPM' and 'MAF' horizontal mounting options.
 11. 'MSL3', 'MSL7' motion sensors require secondary controls for ON/OFF capability (ex. time clock or 0-10V by others). Contact factory for Motion Sensor or availability w/ 'PCR7CR' control ready receptacle for use with wireless 7-PIN control node (by others).
 12. 'MSL3P', 'MSL7P' motion sensors includes a PCR7 photocontrol receptacle for use with a twist lock photocontrol for ON/OFF capability (for use with our 'LLPC' or photocontrol by others, PINS 6 & 7 are not wired for wireless, not compatible w/ wireless nodes).
 13. Slipfitter options ship pre-aimed at 45° from the factory if specified. 14. 10kV/5kA surge, fail-to-on is included standard ('SP1'). 15. For single or double fusing, 'XXX' must specify required voltage.
 16. 'SWSO' only available with 'SFC' & 'SFH' options. Not available w/ 'PCR7CR', 'PS', 'PND', 'D4I', 'TLR4U', 'TLR4L' options. 17. 'SOXXX' option, 'XX' & 'YY' must specify S/O cord AWG & length (only available w/ SO cord mounting options).
 18. 'VHS-VTM' 80-Degree Cutoff shield is not available for use with the 'T5' Type-5 optical distribution. 19. Denotes 'NB01P' Smart Controllers will ship bulk or master pack and ships separately from the luminaire.

Nominal Performance Data 4000K & 5000K

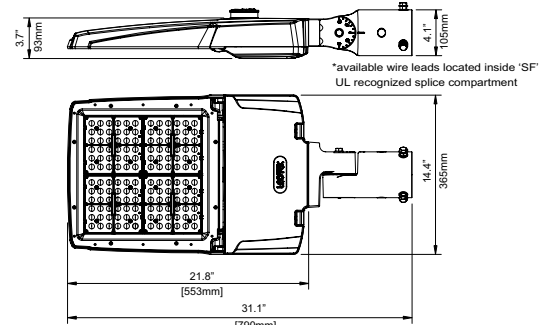
(IES Type-2R optic, 70CRI, 25°C ambient)

Performance Code	P1	P2	P3	P4	P5	P6	P7	P8	P9	P10	P11	P12	P13	P14	
Lumens ¹	11,105	14,248	17,389	20,660	23,688	26,646	29,537	32,357	35,084	37,908	42,047	44,741	47,383	51,249	
System Wattage (W)	59	77	94	111	126	143	160	178	203	219	242	260	279	307	
Effacy (lm/W)	188	185	185	186	188	186	185	182	173	173	174	172	170	167	
HID Replacement	150W	175W	250W	400-750W						1000W					

1. Normal tolerance ± 10% due to factors including distribution type, LED bin variance, driver variance and ambient temperatures.

'SF' Slipfitter Mount Dimensions

(5-wire leads in UL splice compartment, shown w/ optional 'PCR7CR')



* Please refer to VersaTEK product specification sheets for additional ordering information & product details *