

VersaTEK Medium

LED Site & Area
Series



Versatility by Design

The VersaTEK Medium LED Site & Area Series is the perfect blend of architectural design, power, performance and reliability with a simple retrofit friendly design delivering up to 36,000 lumens while weighing less than 20 lbs.

For end users looking for value friendly initial costs combined with significant energy & maintenance savings resulting in ~70-80%+ combined savings over the course of its installed life versus traditional HID luminaires, VersaTEK's Site & Area Series is your clear choice for optimal payback & ROI.

With a clean free flowing low profile design, the pole arm mount blends seamlessly into any environment or application. Performance factory rotatable optics & multiple field installable shield options allows for extremely uniform illumination that looks amazing while providing visual safety & trespass control for demanding installations.

Pair this with a wide range of fixture & control options which includes motion sensors, DALI D4i drivers, D4i receptacle options and part night dimming control capabilities in an easy to retrofit lightweight design for safe & quick single-person installation.

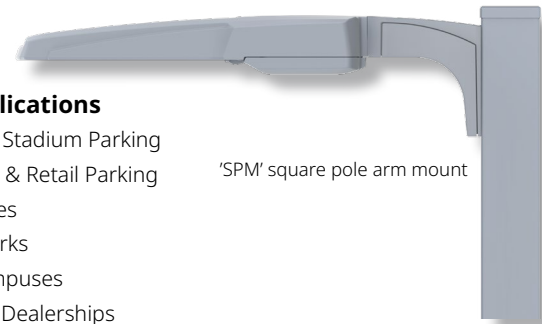
Key Features, Details & Specs

- 8,878 to 51,526 lumens w/ efficacies up to 189+ LPW
- True 250-750 watt HID replacement (70%+ energy savings)
- Performance Selector option for field adjustment of wattage & lumens
- LEOLink ILS™ Intelligent Lighting System & wireless 'NB01P' smart controller option
- Next-gen performance LED platform, Site & Area, Roadway optics & shielding
- 2700K, 3000K, 4000K & 5000K CCT options available
- Weighs 19 to 20 lbs. for easy & safe single person installation
- 10kV integral surge standard, 20kV extreme surge option available
- Entire luminaire & optical assembly is rated IP66
- 50°C (122°F) high-ambient rating is standard
- Pass-thru convective cooling & integral thermal heatsink design
- A360 die-cast low copper content alloy (< 0.6%)
- 5,000-hour salt spray finish standard (coastal finish available)
- All exposed fasteners are stainless steel & captive
- 3G vibration rated suitable for high winds, overpasses, bridges, etc.
- Tool-free access w/ optional tool-free removable 'Power Door'
- Tested before & after rigorous 2-hour burn-in cycle
- Assembled in the USA at LEOTEK's San Jose, CA facility

Typical Applications

- Industrial & Stadium Parking
- Commercial & Retail Parking
- Military Bases
- Business Parks
- College Campuses
- Automotive Dealerships

'SPM' square pole arm mount



Integral Tool-Free Access Design

Tool-free electrical access & removable hinged door w/ fixed open door prop design for ease of installation or maintenance (compatible w/ most lineman safety gloves)



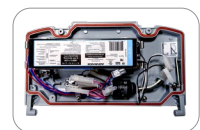
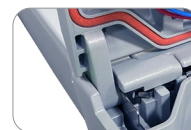
Hassle Free Installation & Maintenance Features

Optional terminal block, a self-centering mast arm 'star' design assists with leveling to a tenon and a retrofit friendly quick mount pole arm (pole arm mount retrofits up to 5.25" bolt spacing for easy single person no drill install)



Tool-Free Removable Power Door Option

All serviceable electrical components mounted to a Power Door that is accessed & removable without tools in less than 15 seconds (undo MOLEX connectors, push two spring clips to unlock door, slide forward to remove)



VersaTEK Medium LED Site & Area Series



'MAF' mast arm fitter mount

Ordering Information

Sample Catalog No. VTMSA-144A-MV-40K8-T3R-WH-CF-P4-SPM-D4I-TLR4U-TB-SP2-WL1-PWRD-SF277

Product	LED Code	Voltage	Color Temp CRI	Optical Distribution	Finish*	Performance Code	Mounting Options				
VTMSA VersaTEK Medium Site & Area	144A 144 LEDs Gen-A	MV 120-277V HV 347-480V	27K7	2700K, 70CRI	NR	Narrow Roadway	BK	Black	P1	SPM	Universal Square Pole Arm Mount
			30K7	3000K, 70CRI	MR	Medium Roadway	DB1	Dark Bronze (RAL8019)	P2	RPM	Universal Round Pole Arm Mount
			40K7	4000K, 70CRI	WR	Wide Roadway	WH	White	P3	MAF	Horizontal Mast Arm Fitter (compatible w/ 1-5/8", 2-3/8" and 3" O.D. tenons)
			50K7	5000K, 70CRI	T2R	Type-2R	GY	Gray	P4	WM	Wall Mount Fixed (compatible w/ 3" & 4" square/octagonal recessed J-boxes)
			30K8 ¹	3000K, 80CRI	T3R	Type-3R	CF Coastal Finish *Consult factory for custom finish options, pricing & leadtimes.	P5	WMSC	Wall Mount Fixed w/ Surface Conduit J-Box	
			40K8 ¹	4000K, 80CRI	T3F	Type-3F		P6	AWM	Adjustable Wall Mount (compatible w/ 3" & 4" square/octagonal recessed J-boxes)	
			50K8 ¹	5000K, 80CRI	T4R	Type-4R		P7	AWMSC	Adjustable Wall Mount w/ Surface Conduit J-Box	
			T2F	Type-2F	T4F	Type-4F		P8	ASPM	Universal Square Pole Adjustable Arm Mount	
			T2F	Type-2F	T5	Type-5		P9	ARPM	Universal Round Pole Adjustable Arm Mount	
			T2F	Type-2F	AFR	Auto Front Row		P10			
T2F	Type-2F	ORR	Optics Rotated Right	P11							
T2F	Type-2F	ORL	Optics Rotated Left	P12							
T2F	Type-2F			P13							
T2F	Type-2F			P14							

Driver* & Control Options (*0-10V drivers are standard)		General Options	
D4I ^{2,5}	DALI D4i Driver	TFL	Tamper free latch (driver electrical door)
TLR4U ^{2,3,6}	DALI 4-PIN Twist Lock Receptacle (upper of housing receptacle location)	TB	3-position Terminal Block
TLR4L ^{2,3,6}	DALI 4-PIN Twist Lock Receptacle (lower driver door receptacle location)	SP2 ¹¹	20kV/10kA Extreme Surge, Fail-to-On
NB01P ⁴	LEOLink 7-PIN Smart Controller (120-277V)	LSSP2	20kV/10kA Extreme Surge, Fail-to-Off
PCR7CR ^{2,9}	ANSI 7-wire Control Ready Receptacle Shorting Cap (factory installed)	WL	Wattage Label, ANSI C136.15-2015 compliant
LLPC ⁵	Long Life Photocontrol	WL1	Wattage Label, ANSI C136.15-2020 compliant
PS ⁶	Field Adjustable Performance Selector	DSC	Optional Driver Door Safety Cable
PND1 ⁷	Part Night Dimming V1	PWRD	Power Door Option (tool-free removable door w/ serviceable electrical items)
PND2 ⁷	Part Night Dimming V2	SFXXX ¹²	Single Fuse ('XXX' = specify 120, 277, 347V)
PND3 ⁷	Part Night Dimming V3	DFXXX ¹²	Double Fuse ('XXX' = specify 208, 240, 480V)
MSL3 ^{8,9}	Motion Sensor w/ L3 Lens	BLS	Enhanced Back Light Shield (factory installed)
MSL7 ^{8,9}	Motion Sensor w/ L7 Lens	VHS	80 Degree Cutoff Shield (factory installed)
MSL3P ^{8,10}	Motion Sensor w/ L3 Lens w/ PCR7	FSS	Front Side Shield (factory installed)
MSL7P ^{8,10}	Motion Sensor w/ L7 Lens w/ PCR7	CSS	Cul-de-sac Shield (factory installed)

General Accessories*	
Shield Accessories	
TBS-VTM	Top, Bottom Shield
LRS-VTM	Left, Right Side Shield
4SS-VTM	4-sided Shield
BDS-VTM	Barn Door Shield
VS-VTM	Poly Vandal Shield
WG-VTM	Wire Guard
BLS-VTM	Enhanced Backlight Shield (snap-on)
VHS-VTM ¹³	80-Degree Cutoff Shield (snap-on)
FSS-VTM	Front Side Shield (snap-on)
CSS-VTM	Cul-de-sac Shield (snap-on)
BSK	Bird Deterrent Spider Kit
Controls Accessories	
NB01PSS ¹⁴	NB01P Ships Separately
LLPCMV	Long Life Photocontrol MV
LLPCHV	Long Life Photocontrol HV
FSIR100	MS Configuration Tool

*Accessories are ordered & shipped separately, not to be included in the luminaire's catalog number. (requires field installation)

- 80CRI option only available in 3000K, 4000K & 5000K CCTs and may have longer leadtimes (contact factory).
- For full 100% D4i DALI functionality a 'PCR7CR', 'TLR4U' or 'TLR4L' must be selected w/ 'D4I' DALI driver option. DALI compatible node or sensor (by others).
- 'TLR4U' & 'TLR4L' twist lock receptacle options requires 'D4I' driver option to be selected.
- 'NB01P' requires 'LPCR7CR' option, only available in 'MV' 120-277V (contact factory for 'HV' 347-480V availability). 'NB01P' is a cellular based NEMA 7-PIN Smart Controller, 10-YR data (200MB), RenAI subscription included.
- 'LLPC' requires 'PCR7CR' option to be selected (does not ship installed, included w/ luminaire).
- 'PS' Performance Selector enables field adjustable light output dimming control from specified Performance Code, not compatible with DALI driver option.
- 'PND' options only available w/ 'MV' 120-277V (contact factory for 'HV' 347-480V availability).
- Motion Sensor options only available w/ 'SPM', 'RPM', 'MAF', 'WM' and 'WMSC' horizontal mounting options.
- 'MSL3', 'MSL7' motion sensors require secondary controls for ON/OFF capability (ex. time clock or 0-10V by others). Contact factory for Motion Sensor availability w/ 'PCR7CR' control ready receptacle for use with wireless 7-PIN control node (by others).
- 'MSL3P', 'MSL7P' motion sensors includes a PCR7 photocontrol receptacle for use with a twist lock photocontrol for ON/OFF capability (for use with our 'LLPC' or photocontrol by others, PINs 6 & 7 are not wired for controls, not compatible w/ wireless nodes).
- 10kV/5kA surge, fail-to-on is included standard ('SP1').
- For single or double fusing, 'XXX' must specify required voltage.
- 'VHS-VTM' 80-Degree Cutoff shield is not available for use with the 'T5' Type-5 optical distribution.
- Denotes 'NB01P' Smart Controllers will ship bulk or master pack and ships separately from the luminaire.

Nominal Performance Data 4000K & 5000K

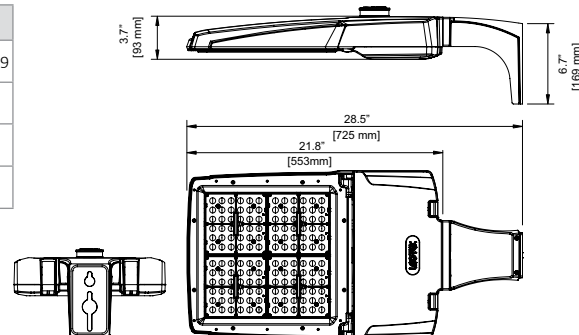
(IES Type-2R optic, 70CRI, 25°C ambient)

Performance Code	P1	P2	P3	P4	P5	P6	P7	P8	P9	P10	P11	P12	P13	P14	
Lumens¹	11,105	14,248	17,389	20,660	23,688	26,646	29,537	32,357	35,084	37,908	42,047	44,741	47,383	51,249	
System Wattage (W)	59	77	94	111	126	143	160	178	203	219	242	260	279	307	
Efficacy (Lm/W)	188	185	185	186	188	186	185	182	173	173	174	172	170	167	
HID Replacement	150W	175W	250W	400-750W						1000W					

1. Normal tolerance ± 10% due to factors including distribution type, LED bin variance, driver variance and ambient temperatures.

'SPM' Square Pole Arm Mount Dimensions

Can retrofit up to 5.25" max. bolt spacing w/ no drilling required



* Please refer to VersaTEK product specification sheets for additional ordering information & product details *